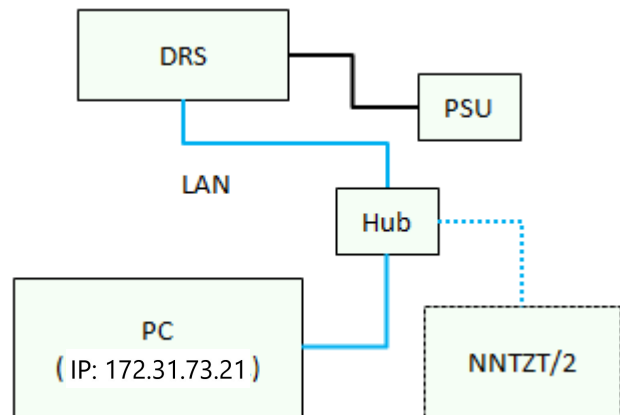


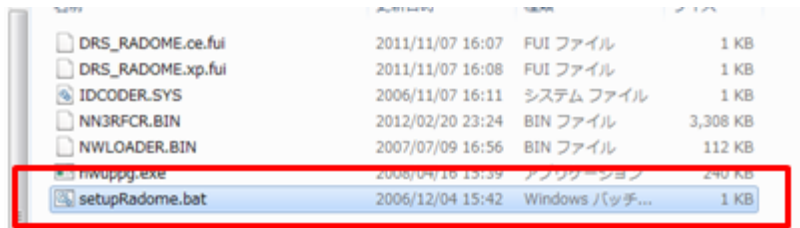
**DRS2D/4D/4A/6A/12A/25A Update Procedures via PC****1. Preparation**

- (1) Connect a PC to the DRS network.
- (2) Set the IP address of the PC to 172.31.73.21.
- (3) Copy the DRS program file to the PC.

Interconnection: Example

**2. Update Procedures**

- (1) Execute the batch file [setupRadome.bat] or [setupOpen.bat].



The following CMD window will appear.

The IP address of the PC (172.31.73.21) will appear as follows.

The PC will start loading the DRS program (xxx.BIN file) to the Ethernet.

```

C:\Windows\system32\cmd.exe
Network program loading(NWUPPG) version 4.05
Copyright(c) FURUNO ELECTRIC CO.,LTD. 2002-2008 (T.K & T.Y)
>>my IPaddress=172.31.73.21
  
```

At this stage, however, the DRS is not yet ready to receive the program.

- (2) Unplug the DRS power cable and reconnect it, in order to reboot the DRS.

The update progress will appear in the window as shown at right.

After the status shows [100%], the update is complete.

```

C:\Windows\system32\cmd.exe
Network program loading(NWUPPG) version 4.05
Copyright(c) FURUNO ELECTRIC CO.,LTD. 2002-2008 (T.K & T.Y)
>>my IPaddress=172.31.73.21
P0>connection IPAddrss=172.31.254.2 081 %
P0>Now writing
  
```

--- END ---