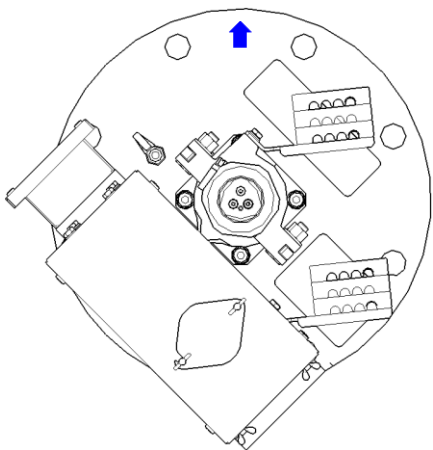


CSH10 Flange Offset Correction: Standard Bolt Pattern

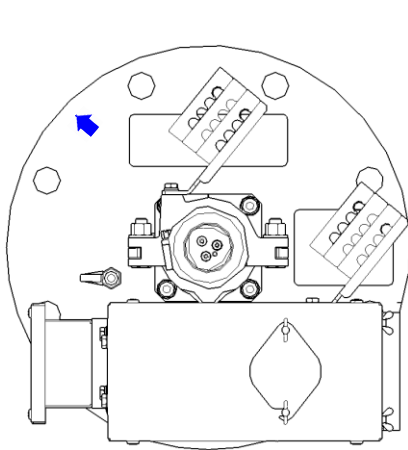
For instances when the clocking of the Sonar Flange has to be installed in an orientation that would require the flange bow indicator to be offset, a Motion Sensor offset will be required to ensure the Motion Sensor is performing properly. This offset will need to be entered: [\[Advanced Menu\]](#) [\[Installation Settings\]](#) [\[Hull Unit Settings\]](#) [\[Motion Sensor offset\]](#)

Flange Pointing Towards Bow



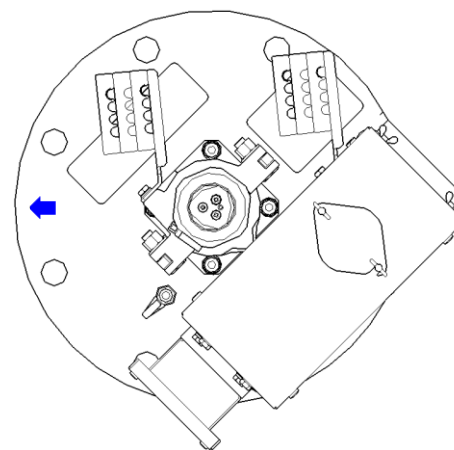
No Motion Sensor Offset

Flange 1-hole to Port



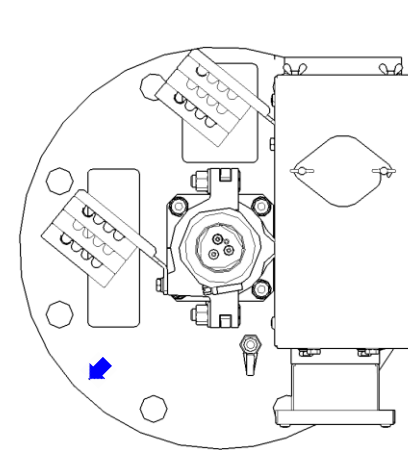
-45 Degree Motion Sensor Offset

Flange 2-holes to Port



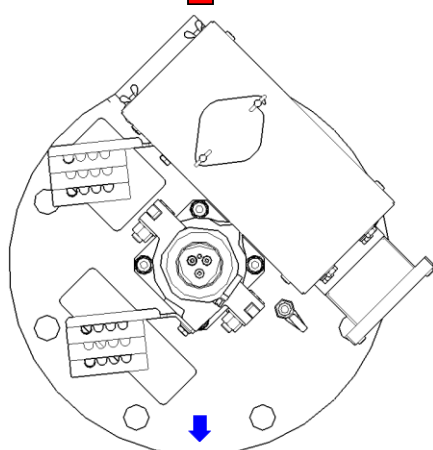
-90 Degree Motion Sensor Offset

Flange 3-holes to Port



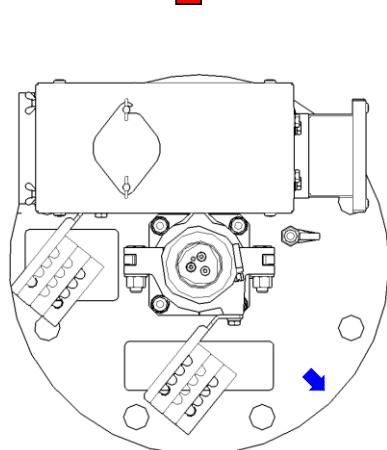
-135 Degree Motion Sensor Offset

Flange Pointing Towards Stern



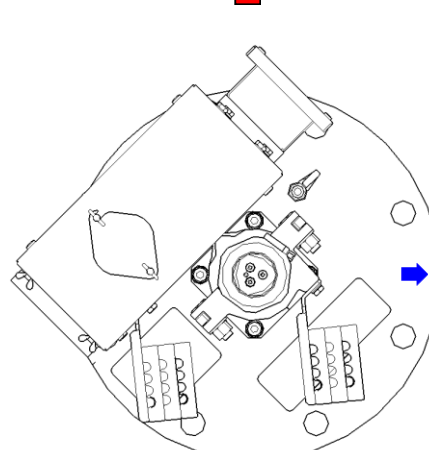
-180 Degree Motion Sensor Offset

Flange 3-holes to Starboard



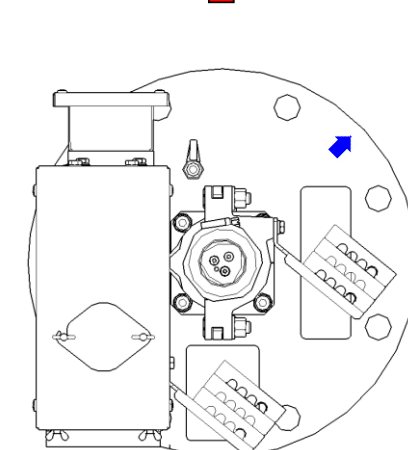
135 Degree Motion Sensor Offset

Flange 2-holes to Starboard



90 Degree Motion Sensor Offset

Flange 1-hole to Starboard



45 Degree Motion Sensor Offset