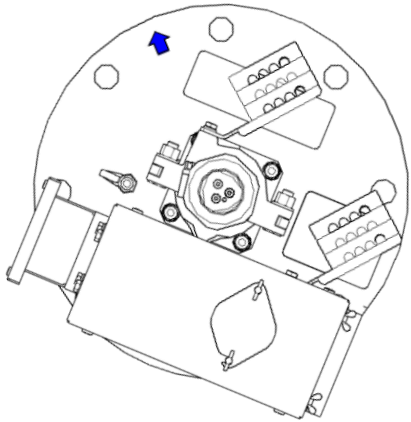


CSH10 Flange Offset Correction: Non-Standard Bolt Pattern

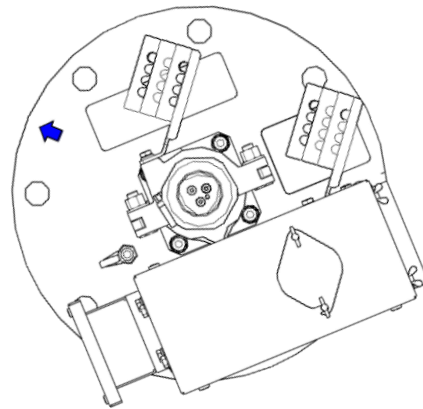
For instances when the clocking of the Sonar Flange has to be installed in an orientation that would require the flange bow indicator to be offset, a Motion Sensor offset will be required to ensure the Motion Sensor is performing properly. This offset will need to be entered: [\[Advanced Menu\]](#) [\[Installation Settings\]](#) [\[Hull Unit Settings\]](#) [\[Motion Sensor offset\]](#)

Flange ½- hole to Port



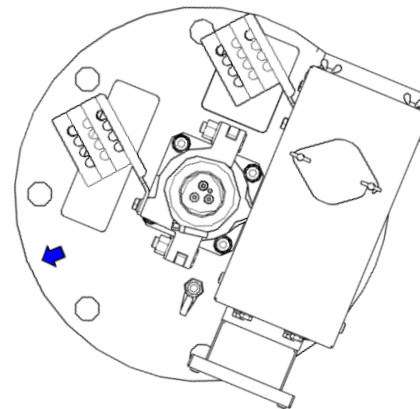
-22.5 Degree Motion Sensor Offset

Flange 1.5 holes to Port



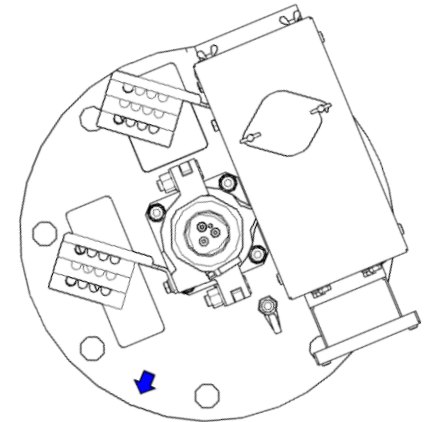
-67.5 Degree Motion Sensor Offset

Flange 2.5 holes to Port



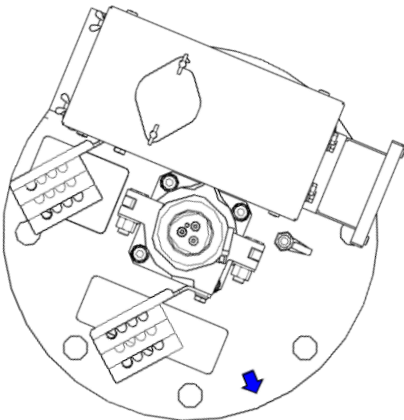
-112.5 Degree Motion Sensor Offset

Flange 3.5 holes to Port



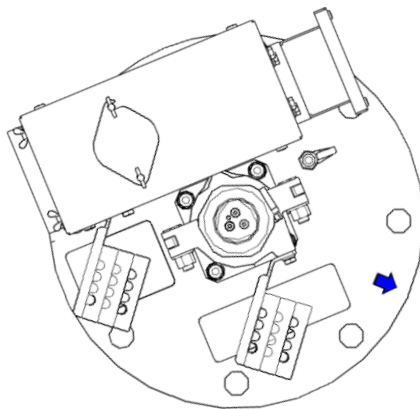
-157.5 Degree Motion Sensor Offset

Flange 3.5 Holes to Starboard



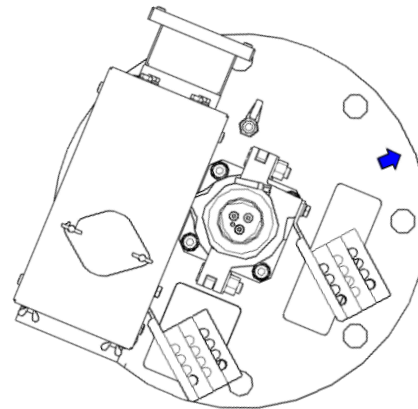
157.5 Degree Motion Sensor Offset

Flange 2.5 holes to Starboard



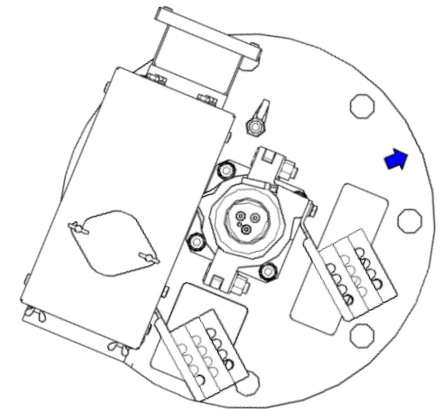
112.5 Degree Motion Sensor Offset

Flange 1.5-holes to Starboard



67.5 Degree Motion Sensor Offset

Flange ½ -hole to Starboard



22.5 Degree Motion Sensor Offset