

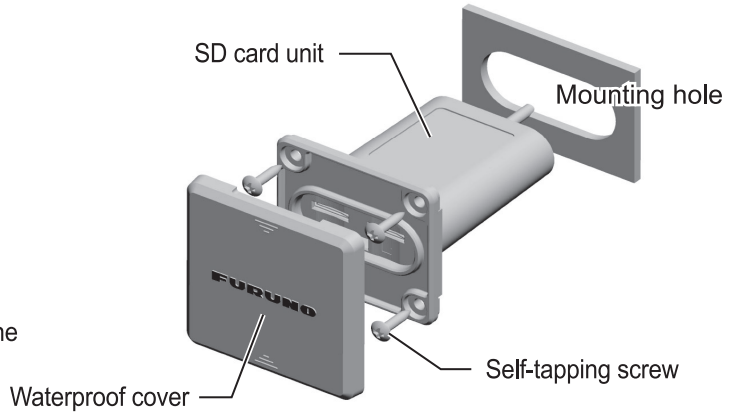
The purpose of this guide is to provide the basic operation and installation instructions for the SD Card Unit SDU-001. All brand and product names are trademarks, registered trade marks or service marks of their respective holders. microSDXC Logos are trademarks of the SD Card Association.



**How to install the SD Card Unit**

- 1 Using the mounting template at the bottom of this guide, open a mounting hole in the installation site.
- 2 Set the unit to the mounting hole.
- 3 Remove the waterproof cover, then fix the unit with four self-tapping screws (Ø3×14).
- 4 Connect the USB connector of the unit to the USB port on the connected device.
- 5 Attach the waterproof cover. Make sure the waterproof cover is correctly seated in the groove around the microSD card slot.

**Note:** To prevent water from entering into the unit, be sure to attach the waterproof cover. Water can damage the equipment.

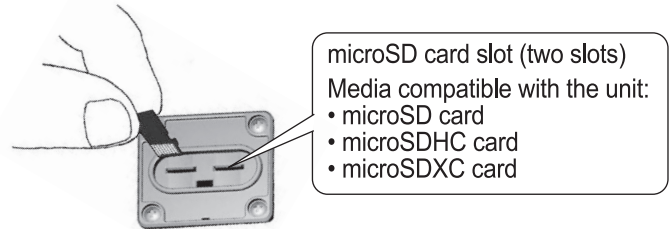


**How to insert/remove the microSD card**

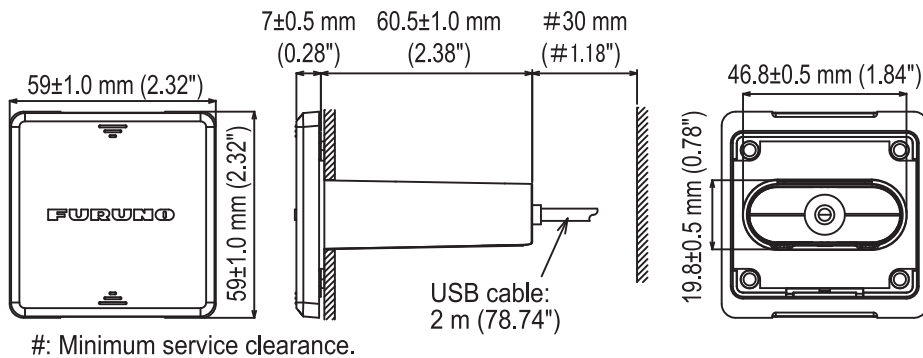
Remove the waterproof cover, then insert the microSD card so that the connectors of the card faces downward. After inserting the card, attach the waterproof cover.

To remove the card, eject the card by pushing it.

**Note:** Before you remove the card from the unit or disconnect the USB cable of the unit, run the "Safely remove hardware" program on the device connected with the unit.



**Outline and dimensions**



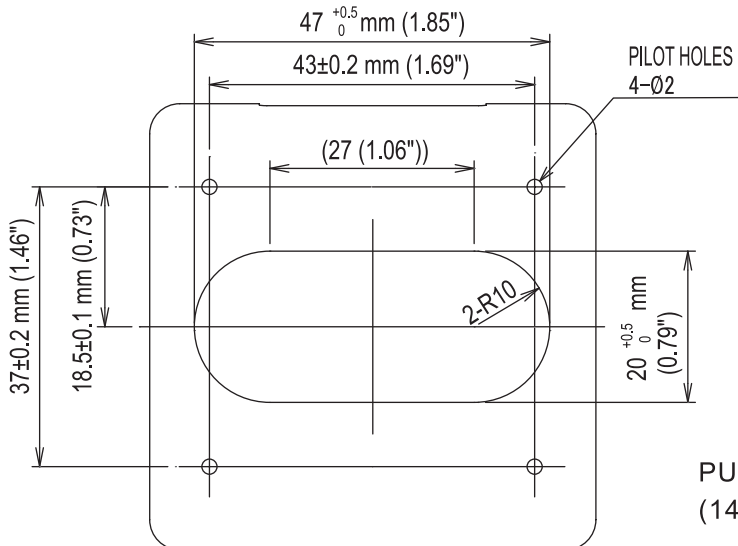
#: Minimum service clearance.

**Packing List**

Name	Type	Qty
SD Card Unit	SDU-001	1
Self-tapping Screw	3×14 SUS304	4

- Mass: 0.1 ± 10 % kg (Mass includes the USB cable.)
- Degree of protection: IP56 (front), IP22 (rear)

**MOUNTING TEMPLATE**



Note: This template may have expanded or shrunk slightly. Please confirm dimensions before use.

