

# FAR-2137S/2837S/2137S-BB/2837SW

## Performance Monitor PM-51 Installation Procedure

### Caution

Install the PM-51 in the workshop.

To install the PM-51, the MIC must be removed. The MIC may be damaged by incoming radar wave if installed on the open deck. Avoid installing the unit on the radar mast because of the danger involved.

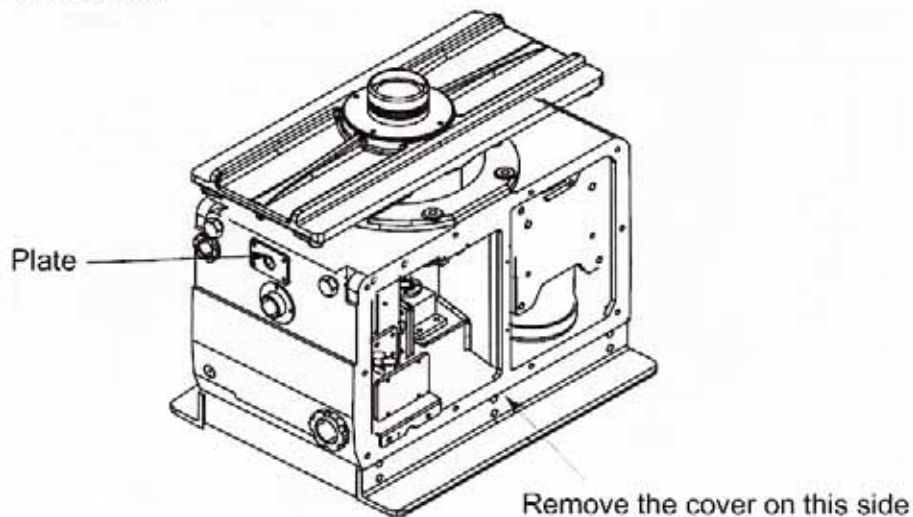
### Performance Monitor Installation Kit

Type: PM-51, Code number: 000-081-261

	Name	Type	Code Number	Q'ty
1	XH connector assy.	03-2144 (6-6P)	008-538-390	1 ✓
2	PM-A gasket	03-163-3734	100-316-080	1 ✓
3	PM-ANT assy.	RSB098-102-080/104/5	008-538-690	1 ✓
4	PM main unit	RSB098-102-080/104/5	008-538-700	1 ✓
5	+Upset screw	M6x16	000-800-420	7 ✓
6	Sealant	1211 50g	000-854-118	1

### Installation procedure

1. Remove the plate shown in the figure below and remove the gasket inside.
2. Remove the antenna cover on the right hand side viewed from the rear side of the antenna unit.

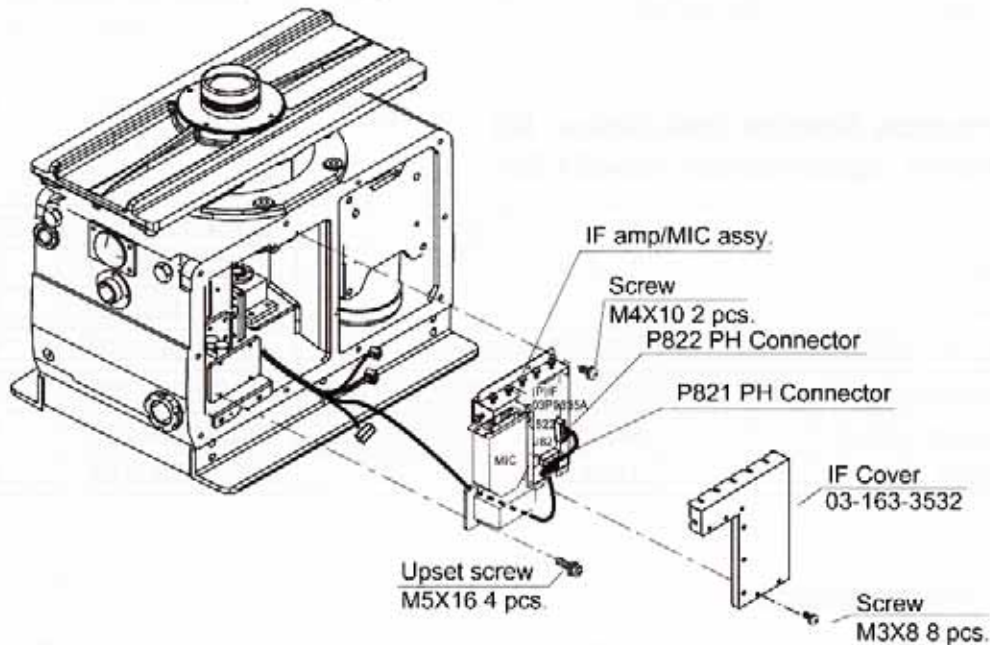


PUB. NO. C32-00405-A  
(0406, TATA) PM-51

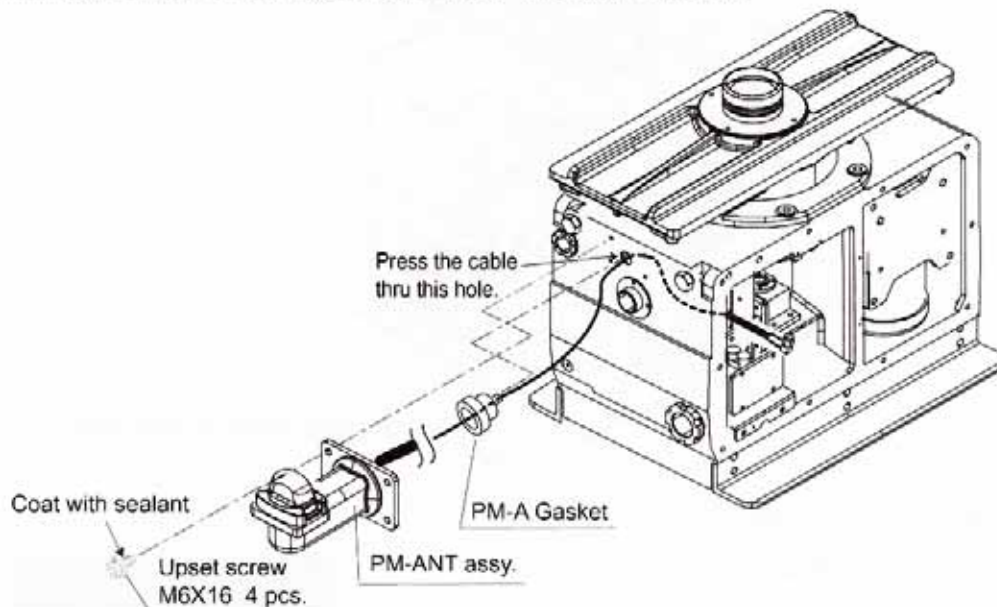


\* 00015073000 \*

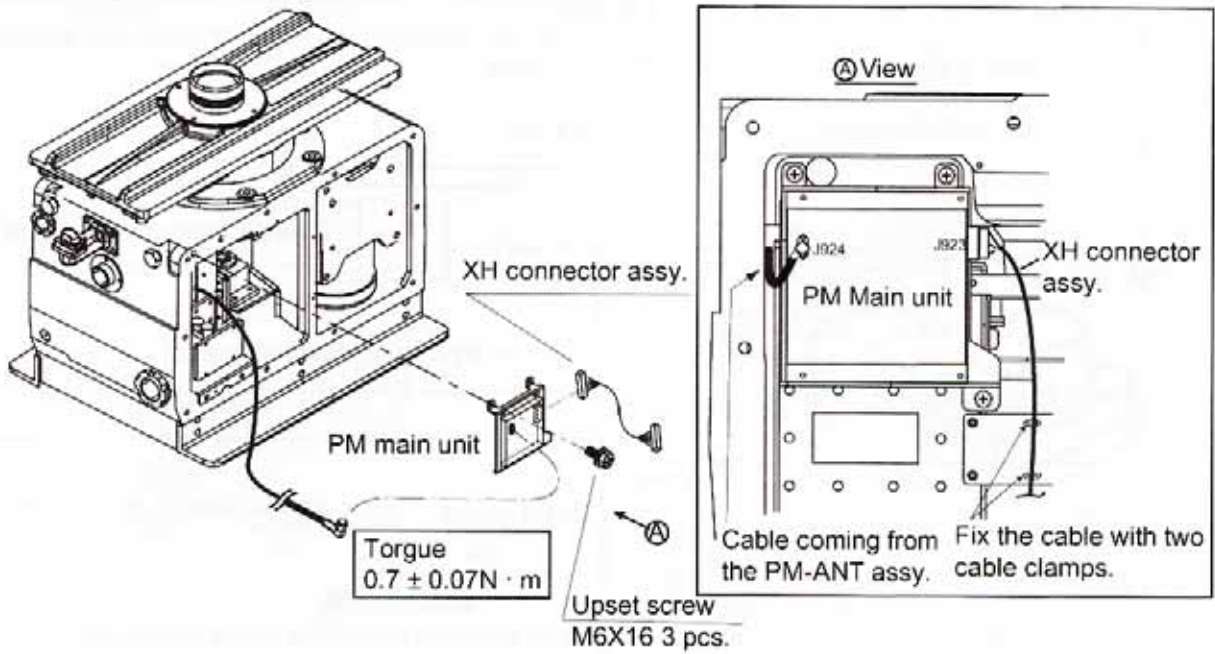
3. In case of the FAR-2137S/2837S/2137S-BB, detach the IF amp/ MIC assy. as follows. (This step is not required for the FAR-2837SW.)
  - a) Remove the cover of the IF amp.
  - b) Unplug two PH connectors (P821 and P822) from the IF amp.
  - c) Remove four screws fixing the MIC.
  - d) Remove two screws fixing the IF amp case with the chassis.
  - e) Lift the IF amp/ MIC assy. slightly and unplug the coaxial connector at the rear side of the IF amp.
  - f) Remove the IF amp/MIC assy.



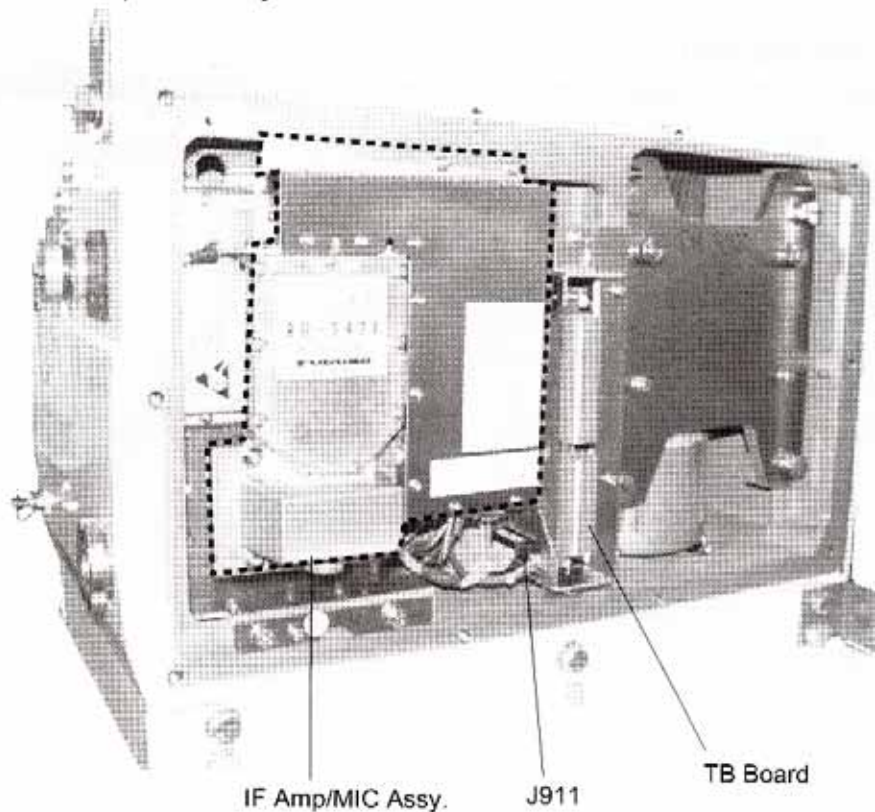
4. At the location of the plate removed at step 1, insert the PM-A gasket and pass the cable attached to the PM-ANT assy. through the hole. Coat the upset screws with the sealant (supplied) and then use them to fix the PM-ANT assy. Pass the end of the cable to the right side of the antenna chassis.



5. Mount the PM main unit assy. with three upset screws, at the location shown in the figure below.



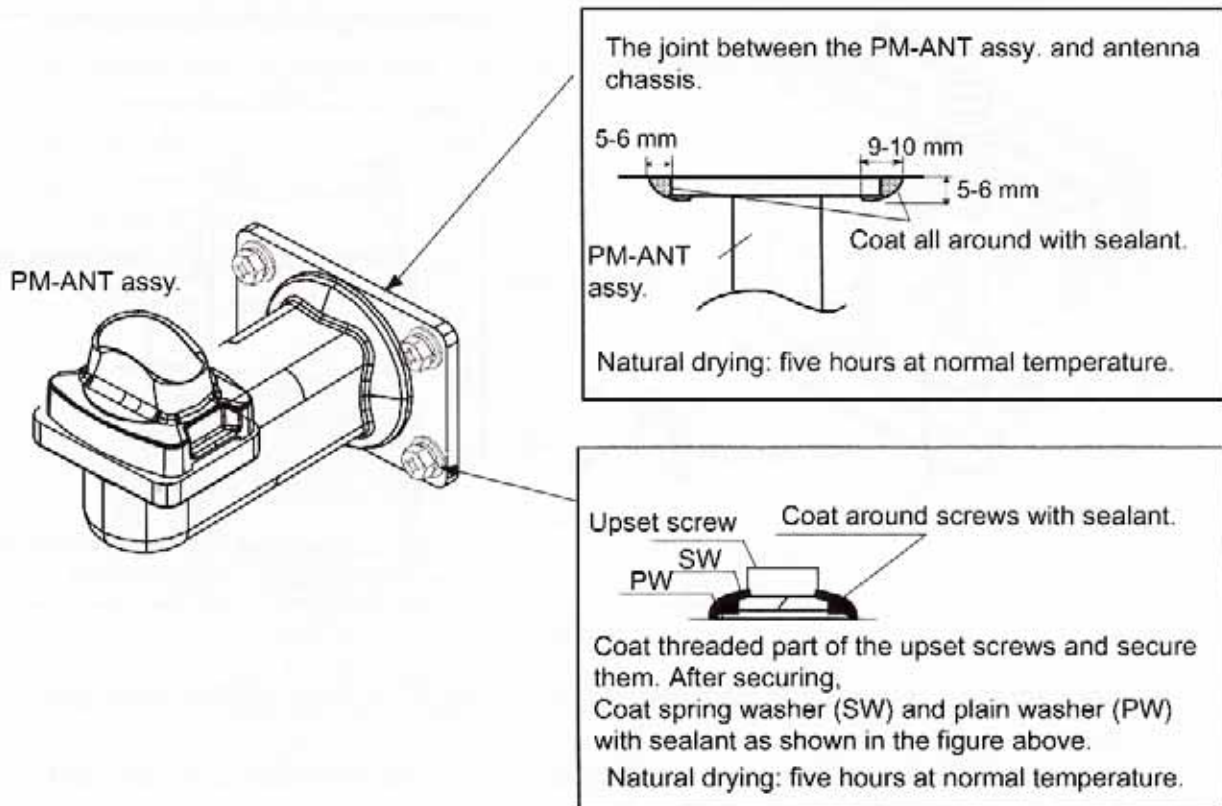
6. Connect the cable derived from the PM-ANT assy. to J924 on the PM main unit assy.
7. Plug in the XH connector assy.: one end to J923 on the PM main unit assy. and the other end to J911 on the TB board.
8. Mount the IF amp/MIC assy. as before.



FAR-2137S/2837S/2137S-BB ANTENNA UNIT



9. Coat the following parts with sealant: the joint between the PM-ANT assy. and antenna chassis, and around the four upset screws fixing the PM-ANT assy.



### PM gain adjustment

See chapter 3 in the installation manual of the FAR-2137S/2837S/2137S-BB/2837SW.