

FURUNO

OPERATOR'S MANUAL

取扱説明書

MARINE DISPLAY

27.0型 カラー液晶ディスプレイ

Model/型式 **MU-270W**

Product Name : MONITOR UNIT 機器名称 : 表示部



- ・ 機器の修理・使用方法等に関するお問い合わせは、お買い上げの販売店・代理店、最寄りの当社支店・営業所あてへお願いします。

FURUNO ELECTRIC CO., LTD.
古野電気株式会社

・ FURUNO Authorized Distributor/Dealer お問い合わせは

本書の無断複写複製(コピー)は特定の場合を除き、当社権利侵害になります。

Printed in Japan

A : AUG. 2016
F : MAY 18, 2023

Pub. No. OMC-44930-F

(AKMU) MU-270W



00019166215

IMPORTANT NOTICES

General

- This manual has been authored with simplified grammar, to meet the needs of international users.
- The operator of this equipment must read and follow the instructions in this manual. Wrong operation or maintenance can void the warranty or cause injury.
- Do not copy any part of this manual without written permission from FURUNO.
- If this manual is lost or worn, contact your dealer about replacement.
- The contents of this manual and the equipment specifications can change without notice.
- The example screens (or illustrations) shown in this manual can be different from the screens you see on your display. The screens you see depend on your system configuration and equipment settings.
- Save this manual for future reference.
- Any modification of the equipment (including software) by persons not authorized by FURUNO will void the warranty.
- The following concern acts as our importer in Europe, as defined in DECISION No 768/2008/EC.
 - Name: FURUNO EUROPE B.V.
 - Address: Siriusstraat 86, 5015 BT, Tilburg, The Netherlands
- The following concern acts as our importer in UK, as defined in SI 2016/1025 as amended SI 2019/470.
 - Name: FURUNO (UK) LTD.
 - Address: West Building Penner Road Havant Hampshire PO9 1QY, U.K.
- All brand, product names, trademarks, registered trademarks, and service marks belong to their respective holders.

How to discard this product

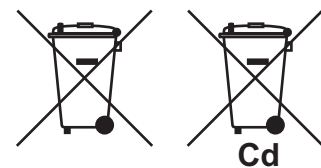
Discard this product according to local regulations for the disposal of industrial waste. For disposal in the USA, see the homepage of the Electronics Industries Alliance (<http://www.eiae.org/>) for the correct method of disposal.

How to discard a used battery

Some FURUNO products have a battery(ies). To see if your product has a battery, see the chapter on Maintenance. If a battery is used, tape the + and - terminals of the battery before disposal to prevent fire, heat generation caused by short circuit.

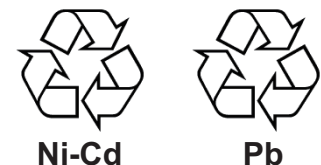
In the European Union

The crossed-out trash can symbol indicates that all types of batteries must not be discarded in standard trash, or at a trash site. Take the used batteries to a battery collection site according to your national legislation and the Batteries Directive 2006/66/EU.



In the USA

The Mobius loop symbol (three chasing arrows) indicates that Ni-Cd and lead-acid rechargeable batteries must be recycled. Take the used batteries to a battery collection site according to local laws.



In the other countries

There are no international standards for the battery recycle symbol. The number of symbols can increase when the other countries make their own recycle symbols in the future.



SAFETY INSTRUCTIONS

Read these safety instructions before you operate the equipment.



WARNING

Indicates a condition that can cause death or serious injury if not avoided.



CAUTION

Indicates a condition that can cause minor or moderate injury if not avoided.



Warning, Caution



Prohibitive Action



Mandatory Action

Safety Instructions for the Operator



WARNING



Immediately turn off the power at the switchboard if water leaks into the equipment or something is dropped into the equipment.

Continued use of the equipment can cause fire or electrical shock. Contact a FURUNO agent for service.



Immediately turn off the power at the switchboard if the equipment is emitting smoke or fire.

Continued use of the equipment can cause fire or electrical shock. Contact a FURUNO agent for service.



Do not disassemble or modify the equipment.

Fire, electrical shock or serious injury can result.



Turn off the power immediately if you feel the equipment is behaving abnormally.

Turn off the power at the switchboard if the equipment becomes abnormally warm or is emitting odd noises. Contact a FURUNO dealer or agent for advice.



WARNING



Use the proper fuse.

Use of a wrong fuse can cause fire or damage to the equipment.



Do not place any object near the exhaust or intake vent.

Fire may result.



CAUTION



Do not connect/disconnect the signal cable while turning the power on.




The unit may be damaged.





Handle the LCD monitor with care.

The face of the LCD monitor is made of glass. Injury may result if the glass breaks.

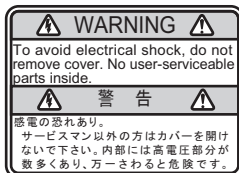
Safety Instructions for the Installer

 WARNING	
	<p>Turn off the power at the switchboard before beginning the installation.</p> <p>Fire or electrical shock can result if the power is left on.</p>
	<p>Do not install the equipment where it may get wet from rain or water splash.</p> <p>Water in the equipment can result in fire, electrical shock or damage to the equipment.</p>

 CAUTION		
	<p>Observe the following compass safe distances to prevent interference to a magnetic compass:</p>	
	Standard compass	Steering compass
MU-270W	0.90 m	0.55 m

Warning Labels

Warning labels are attached to the equipment. Do not remove the labels. If a label is missing or damaged, contact a FURUNO agent or dealer about replacement.



Name: Warning Label 1
Type: 86-003-1011-3
Code No.: 100-236-233-10



Name: High Voltage Warning Label
Type: 16-018-3206-0
Code No.: 100-297-770-10

About the TFT LCD

- The TFT LCD is constructed using the latest LCD techniques, and displays 99.99% of its pixels. The remaining 0.01% of the pixels may drop out or blink, however this is not an indication of malfunction.
- The MU-270W is non-bonding monitor unit, so the dew condensation may occur depending on the ambient temperature.

TABLE OF CONTENTS

FOREWORD	v
SYSTEM CONFIGURATION	vii
EQUIPMENT LISTS	viii
1. MOUNTING, WIRING	1
1.1 Preparation	1
1.2 Flush Mount, Fixed at Front	2
1.3 Flush Mount, Fixed at Front, with Hood	3
1.4 Flush Mount, Fixed at Rear	5
1.5 Flush Mount, Fixed at Rear, with Hood	7
1.6 Tabletop Mount	8
1.7 How to attach the hood	10
1.8 Wiring	11
1.8.1 Connectors/Switches	11
1.8.2 Cable fabrications and fixing	12
2. ADJUSTMENTS	14
2.1 Installation Settings	14
2.2 RGB/DVI Setting (For Non-SOLAS)	16
2.3 Video Composite Signal Setting (For Non-SOLAS)	18
2.4 The Menu Window Setting (For Non-SOLAS)	19
2.4.1 How to adjust the menu window	19
2.4.2 How to change the signal name	20
3. OPERATION	21
3.1 Controls	21
3.2 How to Turn the Power On/Off	22
3.2.1 Turn the power on/off	22
3.2.2 Unlock the key operation	22
3.3 How to Adjust the Display Brilliance, Key Backlighting	23
3.4 How to Select the Source for Main Picture	24
3.5 How to Display the PIP Window	24
3.6 SYSTEM Menu	24
3.6.1 How to set the auto dimmer	24
3.6.2 How to select the method of switching the display	25
3.6.3 How to restore the default settings	26
4. MAINTENANCE	27
4.1 Maintenance	27
4.2 Troubleshooting	28
4.3 Parts Location and Parts List	29
APPX. 1 JIS CABLE GUIDE	AP-1
APPX. 2 ABBREVIATIONS	AP-2
SPECIFICATIONS	SP-1
PACKING LISTS	A-1
OUTLINE DRAWINGS	D-1
INTERCONNECTION DIAGRAMS	S-1

FOREWORD

A Word to the Owner of the MU-270W

FURUNO Electric Company thanks you for purchasing the MU-270W 27.0" Monitor Unit (Wide). We are confident you will discover why the FURUNO name has become synonymous with quality and reliability.

Since 1948, FURUNO Electric Company has enjoyed an enviable reputation for quality and reliability throughout the world. This dedication to excellence is furthered by our extensive global network of agents and dealers.

Your equipment is designed and constructed to meet the rigorous demands of the marine environment. However, no machine can perform its intended function unless properly installed and maintained. Please carefully read and follow the operation, installation and maintenance procedures set forth in this manual.

We would appreciate feedback from you, the end-user, about whether we are achieving our goal.

Thank you for considering and purchasing FURUNO.

Features

The main features of the MU-270W are as shown below.

- Japan-made LCD, Wide-UXGA display
- Full glazing with thin bezel
- Calibration meeting the requirements of S-52 standards
- Scaler function to show the display from SVGA to WUXGA
- Selectable screen from RGB (1 port), Digital (2 ports) or Composite (1 port).
- Main or remote display for various equipment. For the connectable equipment, see the "SYSTEM CONFIGURATION" on page vii.
- High resolution display (1920×1200, WUXGA)
- Automatic brilliance adjustment with the light sensor
(For APR program version earlier than 2651034-01.01)
- Picture-in-picture function
- Power on/off automatically via DVI signal
- Easy switching of DVI signal with a switch box (local supply)

Program

Program Name	Version	Date of Change
APR PROGRAM	2651034-xx.xx	Jun. 2016
FPGA PROGRAM	2651035-xx.xx	Jun. 2016

xx: minor change

You can see these program numbers on the [SYSTEM] menu (see section 3.6). To open the [SYSTEM] menu, unlock the key operation (see paragraph 3.2.2).

Note: When you connect the monitor unit to FMD-3xxx, FAR-3xxx or FAR-2xx8 series, lock the key operation (see paragraph 3.2.2) after confirming the program numbers.

CE/UKCA declaration

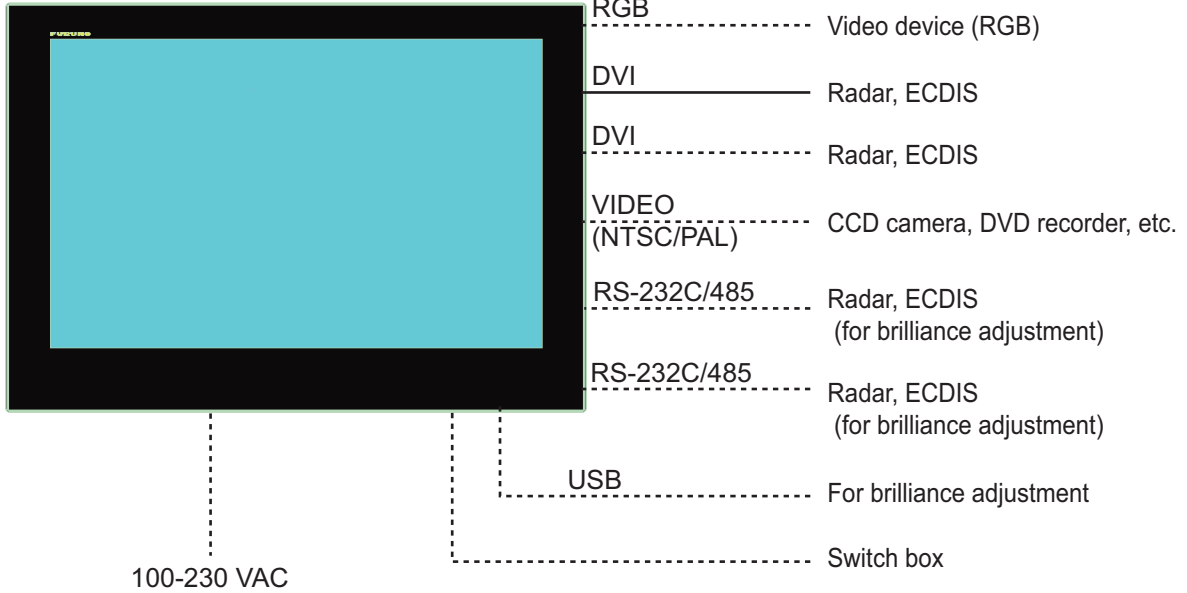
With regards to CE/UKCA declarations, please refer to our website (www.furuno.com), for further information about RoHS conformity declarations.

Disclosure of Information about China RoHS

With regards to China RoHS information for our products, please refer to our website (www.furuno.com).

SYSTEM CONFIGURATION

MONITOR UNIT
MU-270W



Category of unit

MU-270W: Protected from the weather

———— : Standard supply

----- : Optional or local supply

Connectable equipment (Landscape orientation only)

Equipment	Resolution	Signal
FMD-3xxx series	WUXGA	DVI
FAR-3xxx series	WUXGA	DVI
FAR-2xx8 series	WUXGA	DVI

EQUIPMENT LISTS

Standard supply

Name	Type	Code No.	Qty	Remarks
Monitor Unit	MU-270W-A	-	1	with DVI cable, 5 m
	MU-270W-N	-		w/o DVI cable, 5 m
Installation Materials	CP26-02100	000-029-939	1	For MU-270W-A
	CP26-02110	000-030-415		For MU-270W-N
Accessories	FP26-00401	001-175-940	1	LCD Cleaning Cloth (19-028-3125-6, Code No.: 100-360-676-10)
Spare Parts	SP26-00801	001-468-150	1	Fuse (FGBO-A 250V 5A PBF, Code No.: 000-155-840-10) 3 pcs.

Optional supply

Name	Type	Code No.	Remarks
Cable Assembly	3COX-2P-6C 5M	001-077-230-10	Cable length: 5 m (15 pin D-sub connector at both ends)
	3COX-2P-6C 10M	001-077-220-10	Cable length: 10 m (15 pin D-sub connector at both ends)
	DVI-D/D S-LINK 5M	001-132-960-10	Cable length: 5 m (with DVI-D connector at both ends)
Bracket Assembly	OP26-30	001-439-060	
Flush Mount Assembly (Rear)	OP26-31	001-439-070	
Hood Assembly (Front)	OP26-32	001-439-090	
Hood Assembly (Rear)	OP26-33	001-439-110	
Dust Cover (27)	26-009-1093	001-439-120	
Handgrip Assembly	FP03-09840	008-535-570	
Crimping Tool	CRIMPFOX 10S	000-177-298-10	
Connection Stand (27)	OP26-34	001-462-860	

1. MOUNTING, WIRING

1.1 Preparation

Mounting method

You can install the monitor unit as follows. See the outline drawings at the back of this manual for mounting dimensions.

- Flush mount, fixed at front (standard)
- Flush mount, fixed at front, with hood (option)
- Flush mount, fixed at rear (option)
- Flush mount, fixed at rear, with hood (option)
- Tabletop mount (option, hood-mountable)

Note 1: The face of the LCD is made of glass. Handle it with care.

Note 2: For flush mounting, take care that the monitor unit does not fall during the installation.

Note 3: For flush mounting, the mounting surface must be flat. Do not install the unit on an uneven surface.

Mounting location

Select a mounting location considering the following points. This equipment is not affected by electromagnetic fields.

- Make sure the mounting location is strong enough to support the weight of the unit. See the outline drawings at the back of the manual.
- Locate the unit away from direct sunlight. An LCD may darken if it is exposed to direct sunlight for a long time.
- Select a location where the screen can be easily viewed and the controls can be easily operated.
- Leave enough space around the unit for service and maintenance. See the outline drawings at the back of this manual for minimum service clearance.
- Locate the unit indoors. Keep the unit away from areas subject to water splash and rain.
- Observe the compass safe distances (see page iii) to prevent interference to a magnetic compass.

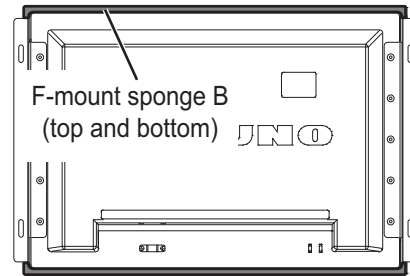
Run cables before installing the monitor unit

Run all cables before you install the monitor unit. See the interconnection diagram at the back of this manual.

1.2 Flush Mount, Fixed at Front

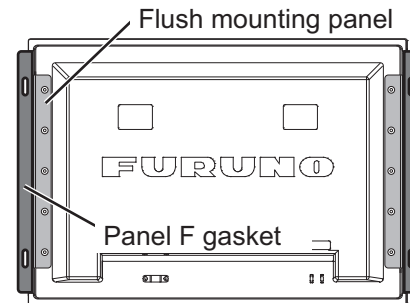
Flush mount, fixed at front is the standard installation method.

1. Make a cutout in the mounting location, referring to the outline drawings at the back of this manual.
2. Connect all cables at the back of the monitor unit. See section 1.8.
3. Peel the backing of the F-mount sponges B (supplied) then attach the F-mount sponges B to the rear of the monitor unit (top and bottom).



Rear of monitor unit

4. Peel the backing of the panel F gaskets (supplied) then attach to the the panel F gaskets to both sides of the flush mounting panels.

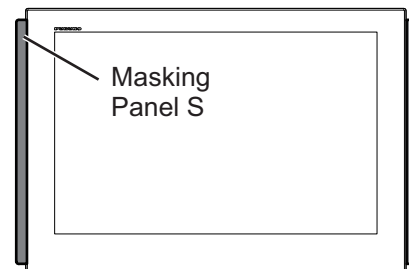


5. Set the monitor unit assembly to the cutout.
6. Secure the monitor unit to the cutout with the self-tapping screws (6×30, 4 pcs., supplied in CP26-02100).

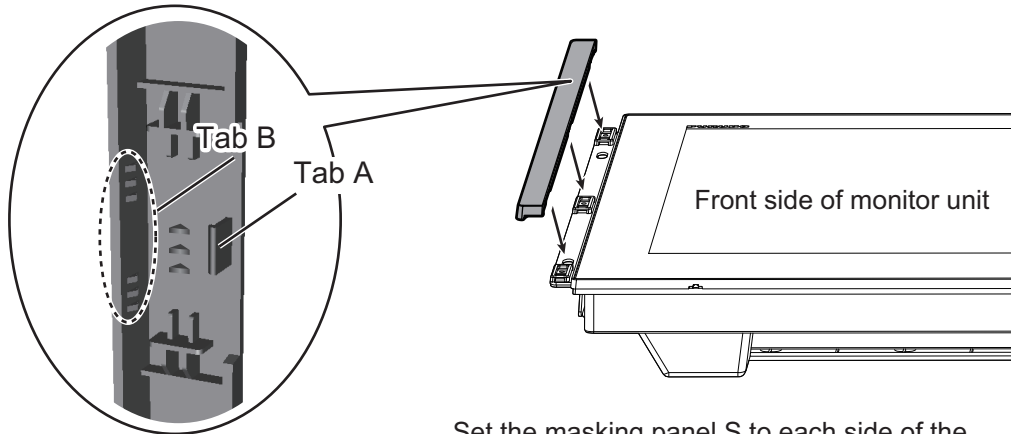


Front of monitor unit

7. Set the masking panel S to both sides of the monitor unit. See "How to attach or detach the masking panel S" on page 3



How to attach or detach the masking panel S



Reverse view of masking panel S

Set the masking panel S to each side of the monitor unit. Attach each tab A to the monitor unit. Be careful not to break the tabs.

To attach, follow in order from A to C. To detach, follow in order reverse order, from C to A.

A

Masking panel S

Monitor unit

Set tab B to the edge of the monitor unit.

B

(#)

Attach: Push the masking panel S in the direction (#), rotate the panel toward the monitor unit, then set each tab A one by one (three places).

C

① ②

① ②

Detach: Push the masking panel S in the direction 1, then release each tab A one by one (three places) in the direction 2.

1.3 Flush Mount, Fixed at Front, with Hood

The flush mount, fixed at front method allows you to attach a hood to the monitor unit with OP26-32 (option).

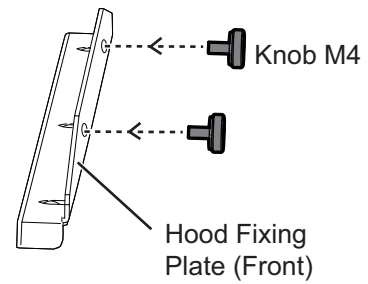
Hood assembly OP26-32 (Code No.: 001-439-090)

Name	Type	Code No.	Qty	Remarks
Hood	26-009-1061	100-407-260-10	1	
Hood Reinforcement Fixture	26-009-1062	100-407-270-10	1	
Binding Head Screw	M3×8 SUS304	000-172-166-10	6	For assembling a hood
Knob M4	03-163-2303	100-343-602-10	4	
Hood Fixing Plate (Front)	26-007-2157	100-366-431-10	2	
Binding Head Screw	M3×8 SUS304	000-172-166-10	6	For fixing hood fixing plates

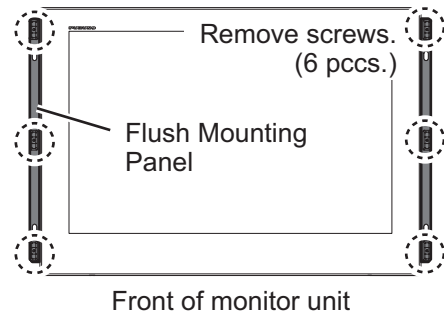
1. Make a cutout in the mounting location, referring to the outline drawings at the back of this manual.
2. Follow steps 2 to 4 in section 1.2.

1. MOUNTING, WIRING

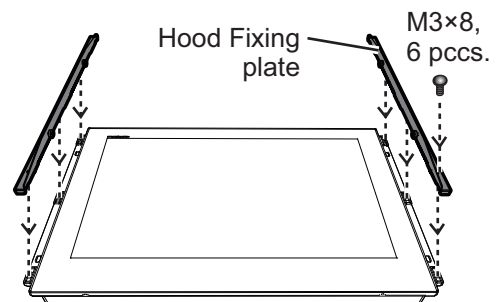
3. Loosely fasten the knobs M4 (4 pcs.) to the hood fixing plates (front) from inside the plates.



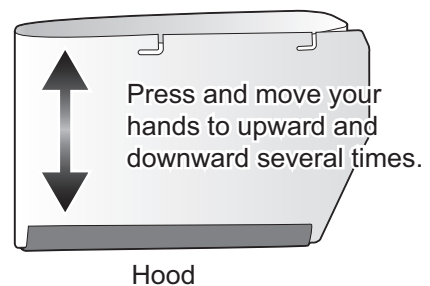
4. Remove the binding head screws (M3×5, 6 pcs.) from the flush mounting panels A and B attached to the monitor unit.



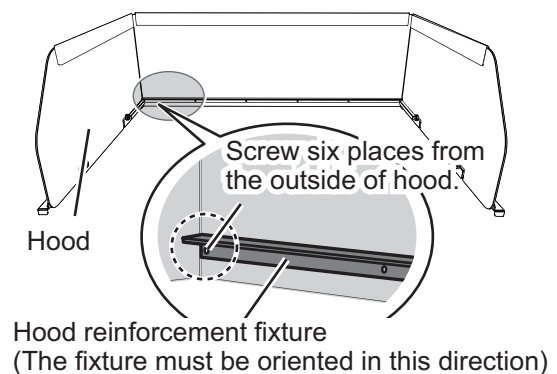
5. Attach the hood fixing plates (front) to the right and left sides of the monitor unit with the binding head screws (M3×8, 6 pcs.).



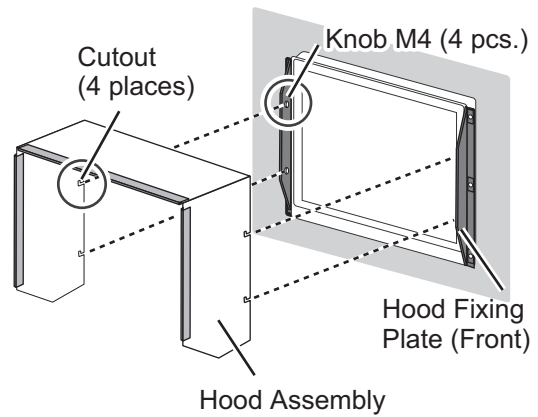
6. Spread out the hood, then press and rub the fold lines on the hood with your hands to make the creases clear. The angle of the creases should be within 90° when the hood is opened.



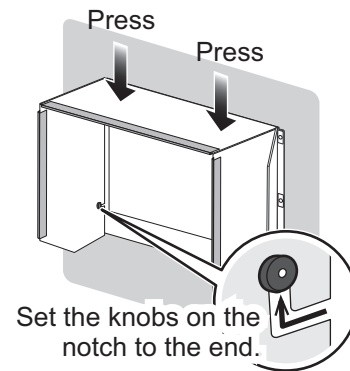
7. Attach the hood reinforcement fixture to the inside of the hood with the six screws (M3×8). Take care that the hood reinforcement fixture is oriented as shown in the figure to the right.



- Set the cutouts of the hood assembly to the knobs on the hood fixing plates (front).



- Press the top of the hood assembly to set the knobs in the cutouts.



- Secure the hood assembly with the knobs tightly (4 pcs.).

1.4 Flush Mount, Fixed at Rear

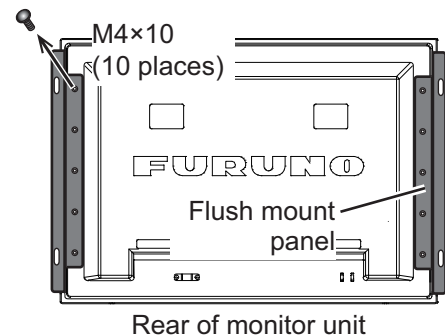
The flush mount, fixed at rear method requires the flush mount kit OP26-31 (option).

Flush Mount Assembly (Rear) OP26-31 (Code No.: 001-439-070)

Name	Type	Code No.	Qty
Flush Mount Fixture	OP26-31-1	001-439--080	4
F-Mount Sponge	26-009-1076	100-407-320-10	2
F-Mount Sponge A	26-009-1084	100-407-360-10	2

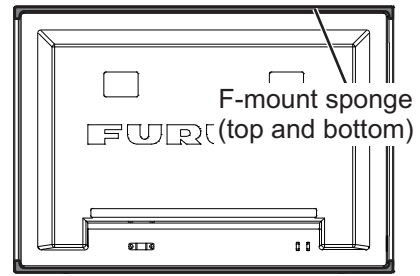
- Make a cutout in the mounting location, referring to the outline drawings at the back of this manual.
- Remove the M4 screws on Flush Mounting Panel A/B assembly from the rear of the monitor unit (both sides).

Note: The M4×10 screws (10 pcs.) removed are used at step 8.

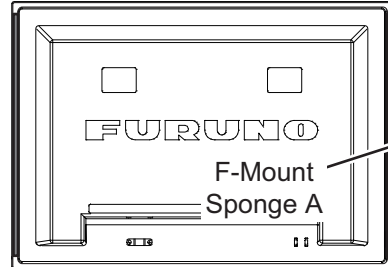


1. MOUNTING, WIRING

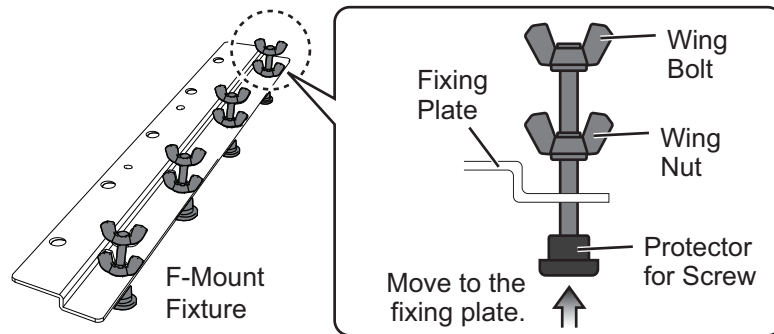
3. Attach the flush mount sponges (supplied in OP26-31, type: 26-0009-1076) to the back of the monitor unit shown in the figure at right (left and right).



4. Attach the flush mount sponges A (supplied in OP26-31, type: 26-0009-1084) to the back of the monitor unit shown in the figure at right (left and right).



5. Screw the wing bolts and the wing nuts of the F-mount fixture (type: 26-009-1074) so that the protector for screw moves to the fixing plate.

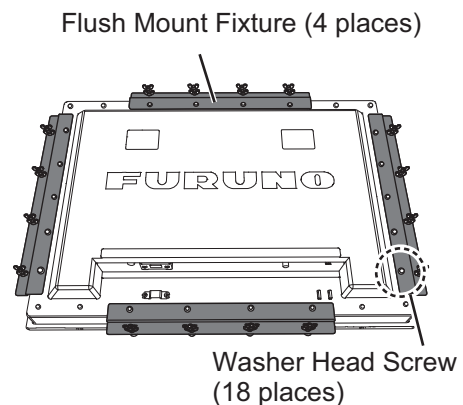


6. Connect all cables at the back of the monitor unit. See section 1.8.
7. Set the monitor unit to the cutout.

8. Fasten the flush mount fixtures to the left, right, top and bottom of the rear of the monitor unit with the screws (M4×10, 18 pcs.). The flush mount fixtures should be aligned as close as possible to the center of each side.

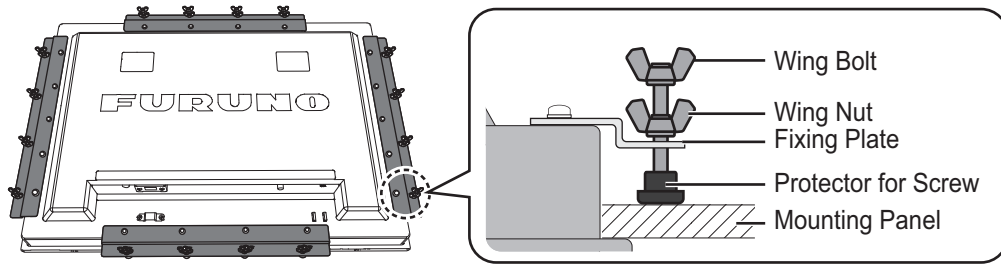
- For right and left fixtures: Use 10 screws removed at step 2.
- For top and bottom fixtures: Use 8 screws attached originally.

Note: The flush mount fixtures (4 pcs.) are identical. The fixing holes are different between for top/bottom and right/left.



9. Fasten each wing bolt so that the protector for screw touches the mounting panel.
10. Fasten the wing bolts tightly to secure the monitor unit.

11. Fasten the wing nuts tightly.



1.5 Flush Mount, Fixed at Rear, with Hood

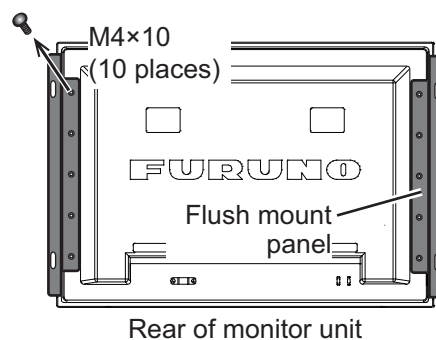
The flush mount, fixed at rear method allows you to attach a hood to the monitor unit. In this case, the following optional kits are required;

- Hood assembly OP26-33
- Flush Mount Assembly (Rear) OP26-31 (see section 1.4 for details)

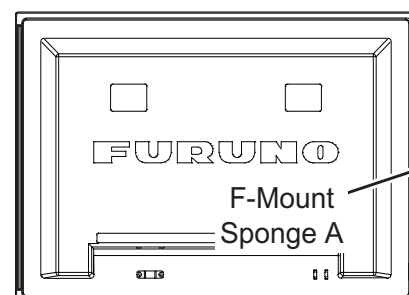
Hood assembly OP26-33 (Code No.: 001-439-110)

Name	Type	Code No.	Qty
Hood	26-009-1061	100-407-260-10	1
Hood Reinforcement Fixture	26-009-1062	100-407-270-10	1
Binding Head Screw	M3×8 SUS304	000-172-166-10	6
Knob M4	03-163-2303	100-343-602-10	4
Hood Fixing Fixture	26-009-1063	100-407-280-10	2
F-Mount Sponge A	26-009-1084	4	

1. Make a cutout in the mounting location, referring to the outline drawings at the back of this manual.
2. Remove the Flush Mounting Panel A/B assembly attached on the monitor unit originally.
Note: The screws (M4×10) removed are used at step 5

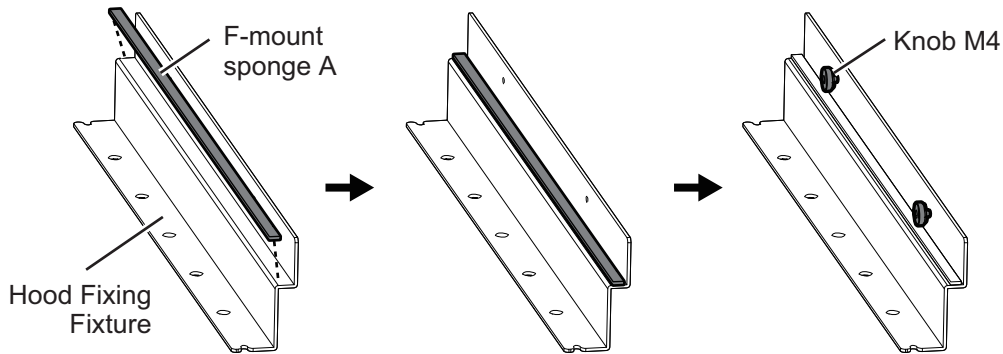


3. Attach the F-mount sponges A (supplied in OP26-31, type: 26-009-1084) to the right and left of the back of the monitor unit shown in the figure at right.

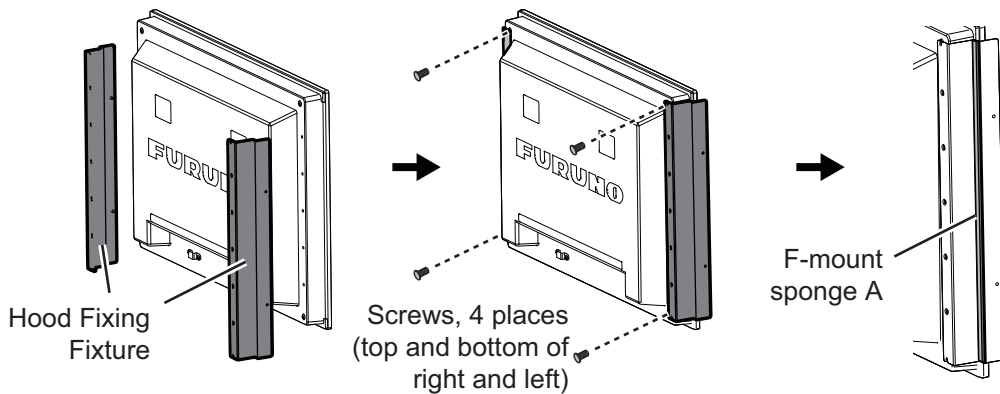


1. MOUNTING, WIRING

4. Attach the four F-mount sponges A (supplied in OP26-33, type: 26-009-1084) to the hood fixing fixtures, then loosely fasten the knobs M4 (4 pcs.) to the two hood fixing fixtures as shown below.



5. Fix both ends of the hood fixing fixtures assembled at step 4 with screws attached to the monitor unit originally. See the figure below for the fixing holes. Then, attach the F-mount sponges A to the hood fixing fixtures.



6. To secure the monitor unit to the mounting location, follow step 5 to step 11 in section 1.4.
 7. To fit the hood to the monitor unit, follow step 7 to step 10 in section 1.3.

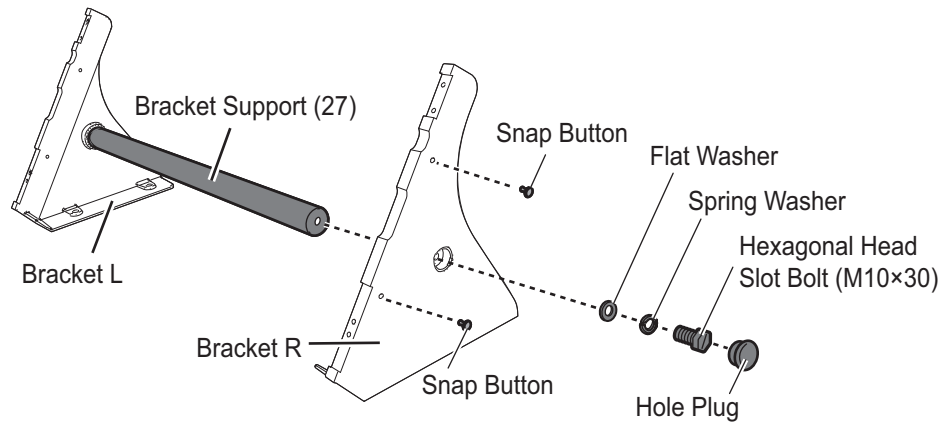
1.6 Tabletop Mount

You can fix the monitor unit to a tabletop, using the bracket assembly OP26-30 (option).

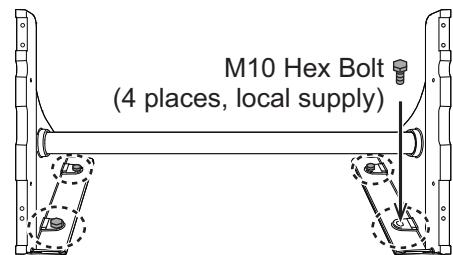
Bracket Assembly OP26-30 (Code No.: 001-439-060)

Name	Type	Code No.	Qty
Spacer Assembly	OP26-21-1	001-143-370	4
Hole Plug	CP-30-HP-13	000-160-074-10	2
Bracket L	03-163-7712	100-366-311-10	1
Bracket R	03-163-7713	100-366-321-10	1
Bracket Support (27)	26-009-1071	100-407-300-10	1
Hexagonal Head Slot Bolt	M10×30 SUS304	000-162-884-10	2
Hex. Head Slot Bolt-B Washer	M6×25 SUS304	000-162-949-10	4
Flat Washer	M10 SUS304	000-167-232-10	2
Spring Washer	M10 SUS304	000-167-233-10	2
Snap Button	KB-13 Button	000-570-276-10	4

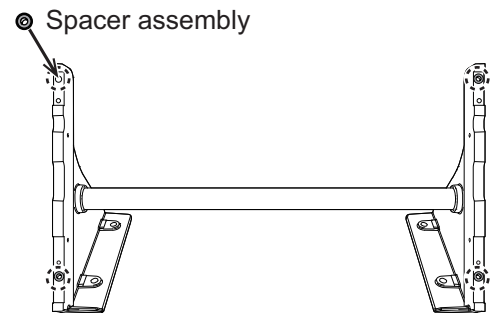
1. Assemble two brackets (L and R) and Bracket support (27) with flat washers, spring washers, hexagonal head slot bolts (M10×30). Cover each hexagonal head slot bolt with hole plug. Also, cover each screw hole on the hanger with a snap button (4 pcs.).



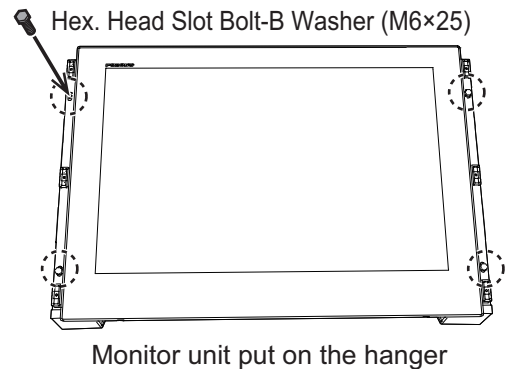
2. Secure the assembled brackets to the mounting location with four hex bolts (M10, 4 pcs, local supply).



3. Connect all cables at the back of the monitor unit. See section 1.8.
4. Remove the paper from the double-sided tape on the four spacer assemblies and then attach the spacer assemblies to the bracket (four locations) as shown in the figure to the right.



5. Fasten the monitor unit to the bracket assembly with four hex. head slot bolt-B washers (M6×25).



6. Set the masking panel S (supplied in CP26-02101) to each side of the monitor unit. See "How to attach or detach the masking panel S" on page 3.

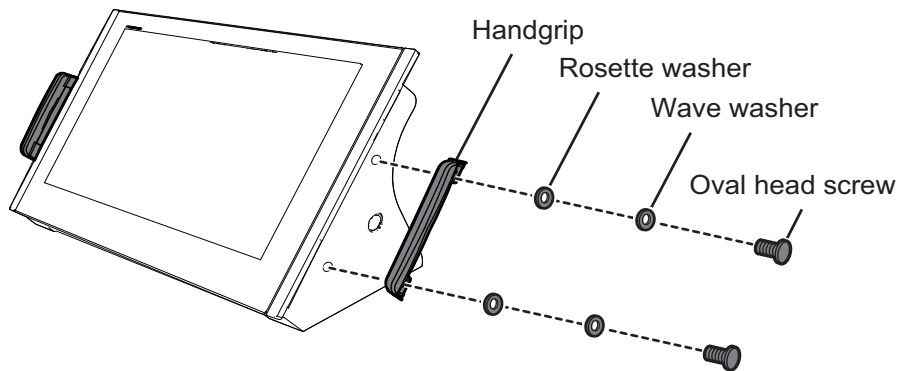
1. MOUNTING, WIRING

How to attach the handgrip assembly

You can attach the handgrips to the monitor unit as shown the figure below, with the handgrip assembly FP03-09840 (option).

Handgrip Assembly FP03-09840 (Code No.: 008-535-570)

Name	Type	Code No.	Qty
Handgrip (2 pcs.)	FP03-09840	008-534-460	1
Oval Head Screw	M6×20	000-163-677-10	4
Rosette Washer	M6	000-165-694-10	4
Wave Washer	WW-6	000-167-384-10	4



1.7 How to attach the hood

You can attach a hood to the tabletop-mounted monitor unit, with the hood assembly OP26-32 (option). For the hood assembly OP26-32, see section 1.3.

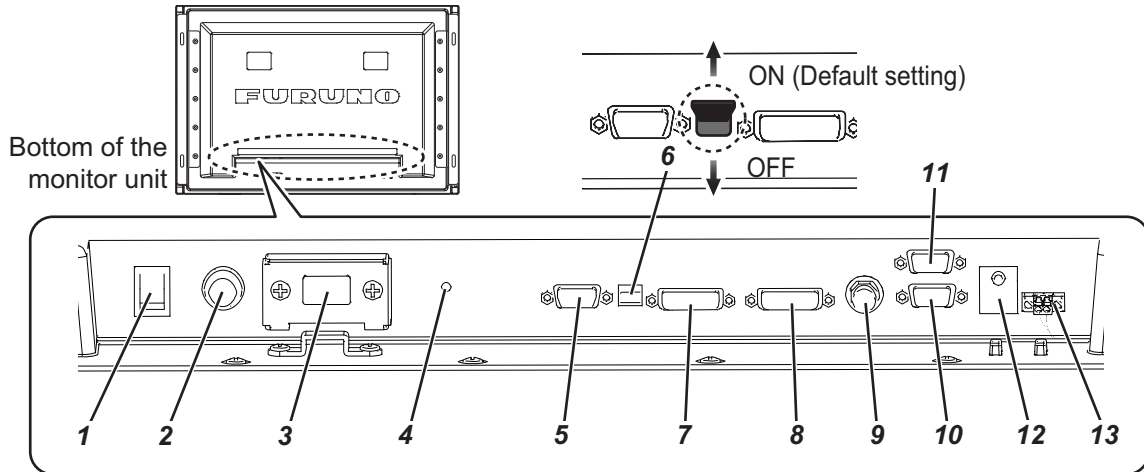
1. Follow step 1 to step 5 in section 1.6.
2. Follow step 3 to step 10 in section 1.3.

1.8 Wiring

Refer to the figure below and the interconnection diagram at the back of this manual to connect cables.

1.8.1 Connectors/Switches

Connect all cables at bottom of the monitor unit. The details of each connector or switch is shown in the table as below, corresponding to the number in the figure.



#	Name	Destination	Cable	Remarks
1	Power switch	—	—	—
2	Fuse	—	—	—
3	TB1	Ship's Mains (100-230 VAC)	DPYC-1.5 (Local supply)	See section 1.8.2 "Cable fabrications and fixing" for details.
4	Ground terminal	—	IV-1.25 sq (Local supply)	Attach a crimp-on lug (inner dia. $\phi 4$) for monitor unit side. Make the length of the ground wire as short as possible.
5	J2	RGB device	RGB signal, 3COX-2P-6C, 5/10 m (Option)	—
6	Slide switch	—		<p>Note: To connect RGB or RGB and DVI signals, set the slide switch to OFF.</p> <ul style="list-style-type: none"> • ON: Allow digital signal from external equipment to control monitor unit power. • OFF: Set to OFF to connect RGB or RGB and DVI signals.
7	J3 (DVI-D1)	DVI device (DVI-D)	DVI-D/D S-LINK 5 m (Included in installation materials for MU-270-A)	For FMD-3xxx, FAR-3xxx, FAR-2xx8 series
8	J4 (DVI-D2)			
9	J5	Video device	Composite signal cable, max. 10 m (Local supply)	—

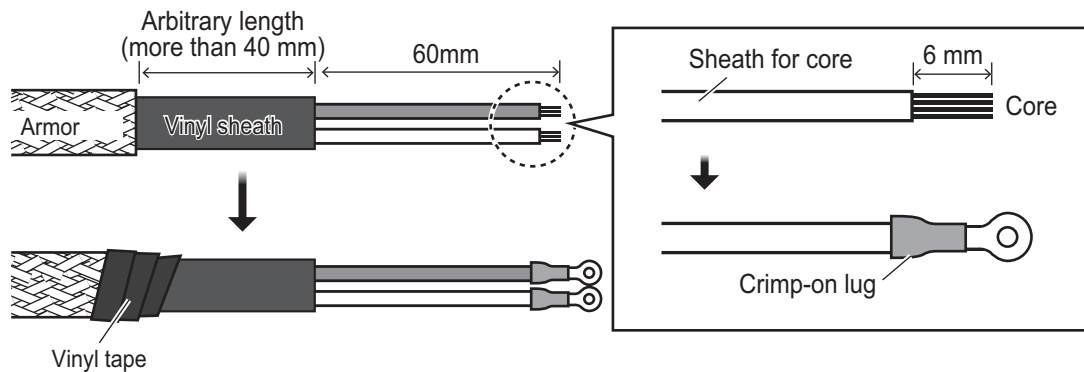
1. MOUNTING, WIRING

#	Name	Destination	Cable	Remarks
10	J7 (RS-232C/485-1)	RS-232C/485 device	DSUB9P-X2, 5 m (Standard or optional supply for processor unit)	For FMD-3xxx, FAR-3xxx, FAR-2xx8 series
11	J9 (RS-232C/485-2)			
12	J6	External Equipment	USB cable, max. 5 m (Local supply)	This port is only for receiving brilliance signal. Use a cable tie to secure the cable. Note 1: Do not connect a PC or other devices. Note 2: If no cables are connected, do not remove the sticker from the connector.
13	J8	Switch Box (Local supply)	TTYCS-1 (Local supply)	See section 1.8.2 "Cable fabrications and fixing" for details.

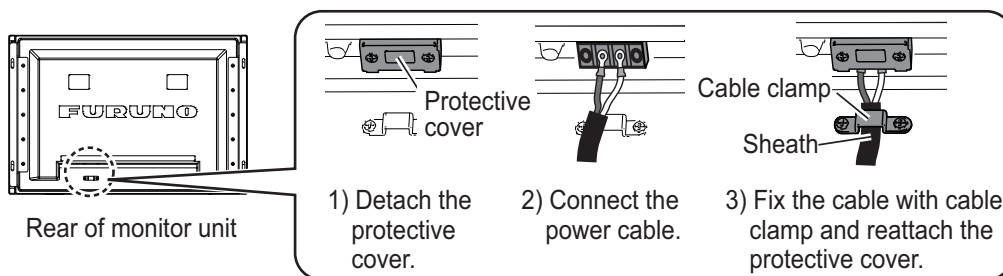
1.8.2 Cable fabrications and fixing

DPYC-1.5 (For power cable)

1. Fabricate the cable and then attach the crimp-on lug (supplied in CP26-02101).

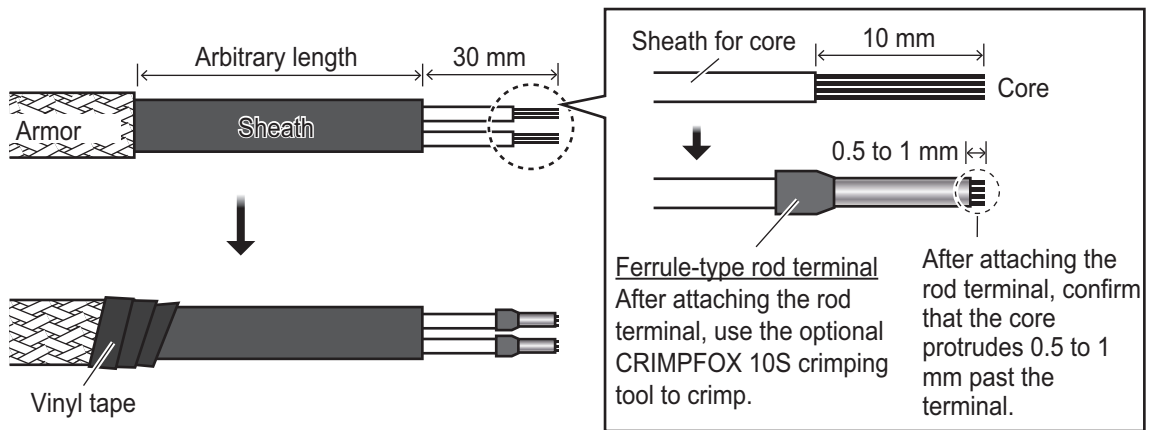


2. Detach the protective cover from the monitor unit and then connect the power cable. Then secure the power cable with the cable clamp and then reattach the protective cover.

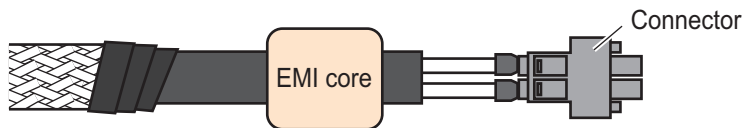


TTYCS-1 (For switch box)

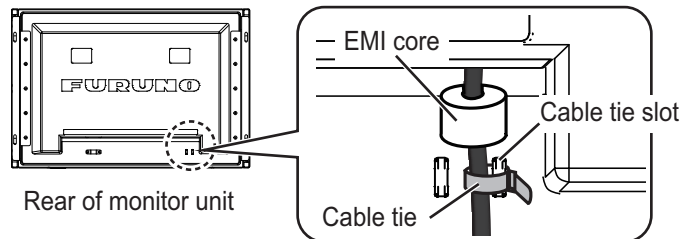
1. Fabricate the cable and then attach the ferrule-type terminal (supplied in CP26-02101).



2. Remove the connector (FMC1.5/2-STF-3.5 MARK) attached to the J8 connector of the monitor unit and attach the connector to the cable. Then, attach the EMI core included in CP26-02101 to the cable.



3. Insert the connector of the cable assembled at step 2 to the J8 connector of the monitor unit and fasten tightly with a slotted screwdriver.
4. Move the EMI core near the J8 connector and then secure the cable assembly at the cable tie slot with the cable tie included in CP26-02101.



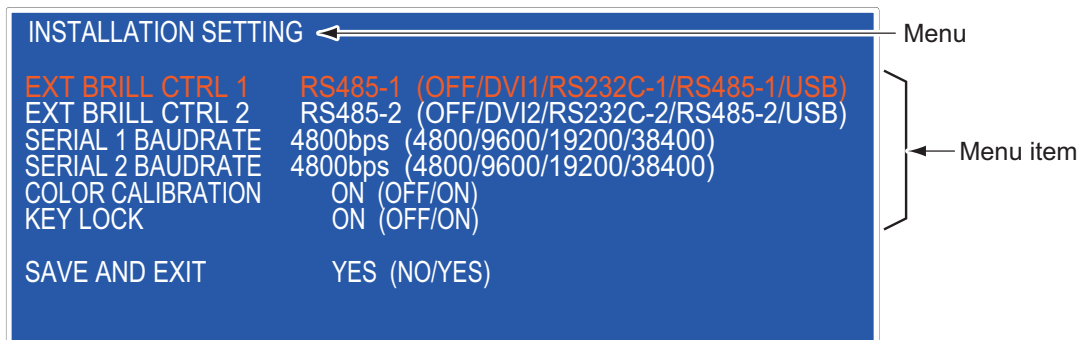
2. ADJUSTMENTS

Adjust the MU-270W according to the equipment connected.

Note: Sections 2.2, 2.3 and 2.4 are for Non-SOLAS.

2.1 Installation Settings

The [INSTALLATION SETTING] menu appears only when the power is turned on for the first time after installation.



For FMD-3xxx, FAR-3xxx and FAR-2xx8 series, no adjustment is necessary. Keep this equipment in the default settings.

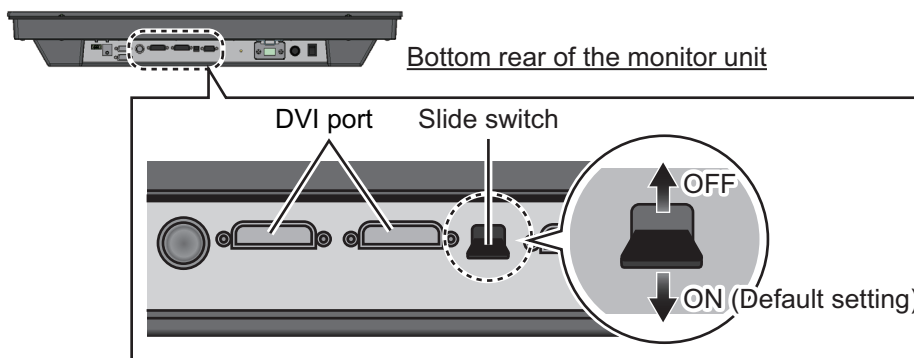
Connected equipment	Connected Unit	EXTBRILL CTRL 1/2	SERIAL 1/2 BAUDRATE	COLOR CALIBRATION	KEY LOCK	DVI PWR SYNC *2
FMD-3xxx FAR-3xxx	processor unit	RS485-1/ RS485-2	4800 bps	ON	ON	ON
FAR-2xx8		DVI *1	—	OFF	ON	ON

*1: To connect with a radar unit processor, connect the video signal cable to the DVI-D1 port. Then, select DVI1 to display the radar picture (see section 3.4).

*2: "DVI PWR SYNC" is the slide switch at the bottom rear of the monitor unit. See the "Slide switch" below.

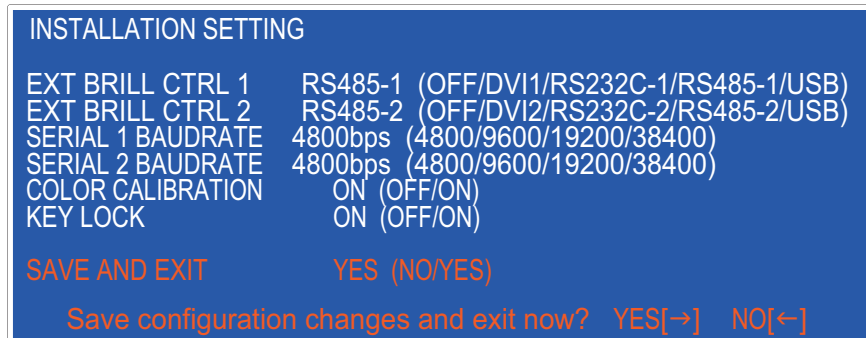
Slide switch

The slide switch is set to ON at the factory to allow for power control from external DVI signals. To connect RGB or RGB and DVI signals, set the slide switch (located between the RGB and DVI ports) to OFF. Otherwise the monitor will not turn on.



1. Press the ▲ or ▼ key to select the menu item to adjust on the [INSTALLATION SETTING] menu. The menu item and setting currently selected (the cursor) is shown in orange.

- Press the ◀ or ▶ key to change the setting.
- After you adjust all settings, press the ▼ key to select [SAVE AND EXIT]. The confirmation message shown in the figure below appears.



- Press the ▶ key. The settings are saved and the menu is closed.
Note: To cancel the settings, press the ◀ key. The indication changes from [YES] to [NO] and you can move the cursor to the menu items with the ▲ key.

[INSTALLATION SETTING] menu descriptions

Menu item	Function	Setting
[EXT BRILL CTRL 1]	Select the brilliance control method for the DVI1/RGB/VIDEO displays. [OFF]: You cannot adjust the brilliance from external equipment. You can adjust the brilliance with the ◻/BRILL key. [DVI1]: When the DVI1 signal is shown, you can adjust the brilliance of this display from equipment connected to DVI-D1 port. For RGB and VIDEO displays, you can adjust the brilliance with the ◻/BRILL key. [RS232C-1]: You can adjust the brilliance with the RS-232C interface that is input from equipment connected to the RS-232C/485-1 port (J7). [RS485-1]: You can adjust the brilliance with the RS-485 interface that is input from equipment connected to the RS-232C/485-1 port (J7). [USB]: No use.	[OFF], [DVI1], [RS232C-1], [RS485-1], [USB]
[EXT BRILL CTRL 2]	Select the brilliance control method for the DVI2 display. [OFF]: You can not adjust the brilliance from external equipment. You can adjust the brilliance with the ◻/BRILL key. [DVI2]: You can adjust the brilliance of this display from equipment connected to DVI-D2 port. [RS232C-2]: You can adjust the brilliance with the RS-232C interface that is input from equipment connected to the RS-232C/485-2 port (J9). [RS485-2]: You can adjust the brilliance with the RS-485 interface that is input from equipment connected to the RS-232C/485-2 port (J9). [USB]: No use.	[OFF], [DVI2], [RS232C-2], [RS485-2], [USB]
[SERIAL 1 BAUDRATE]	Select the serial baud rate for the RS-232C/485-1 port (J7). Note: This function is available when you set [EXT BRILL CTRL 1] to [RS232C-1] or [RS485-1].	[4800bps], [9600bps], [19200bps], [38400bps]
[SERIAL 2 BAUDRATE]	Select the serial baud rate for the RS-232C/485-2 port (J9). Note: This function is available when you set [EXT BRILL CTRL 2] to [RS232C-2] or [RS485-2].	[4800bps], [9600bps], [19200bps], [38400bps]

2. ADJUSTMENTS

Menu item	Function	Setting
[COLOR CALIBRATION]	Select whether to use color-adjusted correction data or not. [OFF]: Do not use the adjusted data. [ON]: Use the adjusted data.	[OFF], [ON]
[KEY LOCK]	Select whether to lock the key operation or not (see paragraph 3.2.2). [OFF]: Do not lock the key operation. [ON]: Lock the key operation.	[OFF], [ON]
[SAVE AND EXIT]	Select whether to save the settings or not. [NO]: Cancel the settings. [YES]: Save the settings.	[NO], [YES]

How to open the [INSTALLATION SETTING] menu

Turn off the monitor unit. Press and hold the **DISP** key, then press the \odot /BRILL key to turn on the monitor unit. Keep the **DISP** key pressed until the [INSTALLATION SETTING] menu appears.

Note: When the "DVI PWR SYNC" slide switch is ON, turn on the connected external equipment to turn on the monitor unit. Then, press the **DISP** key under turning off the monitor unit. Release the \odot /BRILL key then the monitor unit is turned on automatically. Keep the **DISP** key pressed until the [INSTALLATION SETTING] menu appears.

2.2 RGB/DVI Setting (For Non-SOLAS)

You can adjust the screen from the RGB, DVI-D1 and DVI-D2 ports individually. Turn on each external equipment and adjust the monitor unit as follows.

- Select the signal to adjust at the DISP selection window. See section 3.4.
 - Press the **DISP** key.
 - Press the \blacktriangle or \blacktriangledown key to select [RGB], [DVI1] or [DVI2].
- Press the **MENU** key to show the menu. The main menu closes automatically when there is no operation for one minute.
- Press the \blacktriangleleft or \blacktriangleright key to select [RGB], [DVI1] or [DVI2]. The current setting (the cursor) is shown in orange. The menu items available depend on the selected menu. The [DVI1] and [DVI2] setting menus contain the same items.

Note: If there is no signal, menu items appear in gray and are not available.

RGB	DVI1	DVI2	VIDEO	OSD	SYSTEM	← Menu →	RGB	DVI1	DVI2	VIDEO	OSD	SYSTEM
H_SIZE		1920				Menu item	BRIGHTNESS		128	(1~256)		
V_SIZE		1200					CONTRAST		32	(1~64)		
PHASE		16	(1~32)				H_POSITION		25	(1~50)		
BRIGHTNESS		128	(1~256)				V_POSITION		20	(1~40)		
CONTRAST		32	(1~64)				R_LEVEL		128	(1~256)		
H_POSITION		50	(1~99)				G_LEVEL		128	(1~256)		
V_POSITION		20	(1~40)				B_LEVEL		128	(1~256)		
R_LEVEL		128	(1~256)				TEMPERATURE		7000K	(5000K~9300K)		
G_LEVEL		128	(1~256)				B STRETCH		OFF	(OFF, 1~10)		
B_LEVEL		128	(1~256)				W STRETCH		OFF	(OFF, 1~10)		
TEMPERATURE		7000K	(5000K~9300K)				DISP MODE		FULL	(FULL/NORMAL)		
B STRETCH		OFF	(OFF, 1~10)				SHARPNESS		1	(1~10)		
W STRETCH		OFF	(OFF, 1~10)									
DISP MODE		FULL	(FULL/NORMAL)									
SHARPNESS		5	(1~10)									

[RGB] setting menu

[DVI] setting menu

- Press the \blacktriangle or \blacktriangledown key to select the menu item to adjust.

5. Press the ◀ or ▶ key to adjust the setting.
6. Press the **MENU** key to close the menu.

[RGB], [DVI1/2] menu descriptions

Menu item	Function	Setting
[H_SIZE] (Only for [RGB] menu)	Adjust the image size horizontally. Horizontal size: ◀ (narrow), ▶ (wide)	Depending on input signal
[V_SIZE] (Only for [RGB] menu)	Adjust the image size vertically. Vertical size: ◀ (narrow), ▶ (wide)	
[PHASE]** (Only for RGB menu)	Adjust the sample timing so that screen flicker disappears and the text is clear.	1 to 32
[BRIGHTNESS]	Adjust the red, green and blue color level collectively.	1 to 256
[CONTRAST]	Adjust the contrast level. ◀ (darken), ▶ (brighten)	1 to 64
[H_POSITION]	Move the image position horizontally. ◀ (leftward), ▶ (rightward)	1 to 99 ([RGB]), 1 to 50 ([DVI1], [DVI2])
[V_POSITION]	Move the image position vertically. ◀ (upward), ▶ (downward)	1 to 40
[R_LEVEL]	Adjust the red color level. ◀ (weaken), ▶ (strengthen)	1 to 256
[G_LEVEL]	Adjust the green color level. ◀ (weaken), ▶ (strengthen)	1 to 256
[B_LEVEL]	Adjust the blue color level. ◀ (weaken), ▶ (strengthen)	1 to 256
[TEMPERATURE]	Adjust the color temperature. ◀ (strengthen the red color level), ▶ (strengthen the blue color level)	5000 to 9300K (Increments of 100.)
[B STRETCH]	Emphasize the black color. [OFF] (standard), ◀ (weaken), ▶ (strengthen)	[OFF], 1 to 10
[W STRETCH]	Emphasize the white color. [OFF] (standard), ◀ (weaken), ▶ (strengthen)	[OFF], 1 to 10
[DISP MODE]*	Select the display method. [FULL]: Show the input signal on entire screen. [NORMAL]: Show the input signal with original aspect ratio.	[FULL], [NORMAL]
[SHARPNESS]**	Sharpen the edges horizontally. ◀ (soften characters and lines), ▶ (sharpen characters and lines)	1 to 10

*: When signal is not WUXGA, a circle may be displayed as an ellipse because the aspect ratio differs. In this case, set [DISP MODE] to [NORMAL] on the [RGB], [DVI1], or [DVI2] menus. A black bar appears on the right and left sides of the picture, but this is normal.

** : If the characters are not clear, adjust [PHASE] and [SHARPNESS].

2.3 Video Composite Signal Setting (For Non-SO-LAS)

You can adjust the VIDEO signal from the VIDEO port. The VIDEO signal is also displayed in the PIP window (see section 3.5).

1. Select the signal to adjust at the DISP selection window.
2. Press the **MENU** key to show the menu.
3. Press the ◀ or ▶ key to select [VIDEO].

RGB	DVI1	DVI2	VIDEO	OSD	SYSTEM
PIP_SIZE			5	(1~10)	
CONTRAST			32	(1~64)	
R_LEVEL			128	(1~256)	
G_LEVEL			128	(1~256)	
B_LEVEL			128	(1~256)	
TEMPERATURE		7000K		(5000K~9300K)	
B STRETCH			OFF	(OFF, 1~10)	
W STRETCH			OFF	(OFF, 1~10)	

4. Press the ▲ or ▼ key to select the menu item to adjust.
5. Press the ◀ or ▶ key to adjust the setting.
6. Press the **MENU** key to close the menu.

[VIDEO] menu descriptions

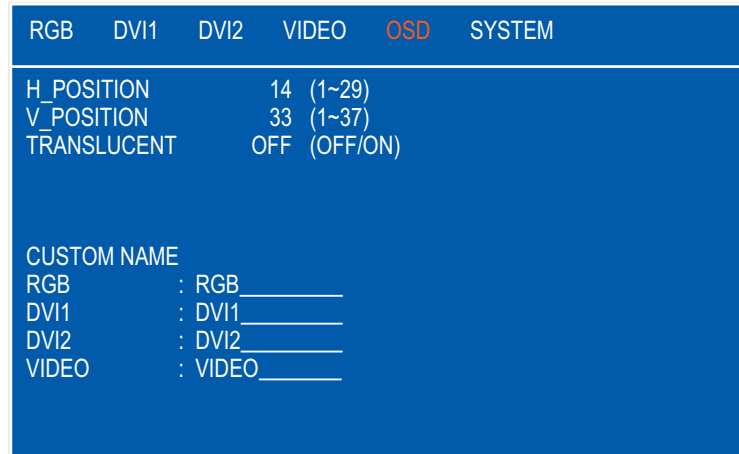
Menu item	Function	Setting
[PIP_SIZE]	Adjust the size of the picture-in-picture window. Note: This setting is available when the PIP window is displayed.	1 (63 mm×43 mm) to 10 (351 mm×240 mm)
[CONTRAST]	Adjust the contrast level. ◀ (darken), ▶ (brighten)	1 to 64
[R_LEVEL]	Adjust the red color level. ◀ (weaken), ▶ (strengthen)	1 to 256
[G_LEVEL]	Adjust the green color level. ◀ (weaken), ▶ (strengthen)	1 to 256
[B_LEVEL]	Adjust the blue color level. ◀ (weaken), ▶ (strengthen)	1 to 256
[TEMPERATURE]	Adjust the color temperature. ◀ (strengthen the red color level), ▶ (strengthen the blue color level)	5000 to 9300K (Step is 100.)
[B STRETCH]	Emphasize the black color. [OFF] (standard), ◀ (weaken), ▶ (strengthen)	[OFF], 1 to 10
[W STRETCH]	Emphasize the white color. [OFF] (standard), ◀ (weaken), ▶ (strengthen)	[OFF], 1 to 10

2.4 The Menu Window Setting (For Non-SOLAS)

2.4.1 How to adjust the menu window

You can adjust the position and transparency of the menu window on the [OSD] (On Screen Display) menu.

1. Press the **MENU** key to show the menu.
2. Press the ◀ or ▶ key to select [OSD].



3. Press the ▲ or ▼ key to select the menu item to adjust.
4. Press the ◀ or ▶ key to adjust the setting.
5. Press the **MENU** key to close the menu.

[OSD] menu descriptions

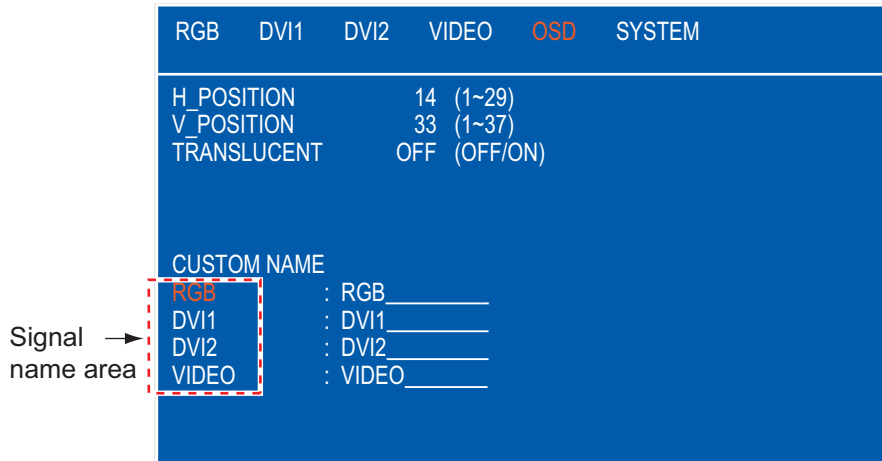
Menu item	Function	Setting
[H_POSITION]	Move the menu window horizontally. ◀ (leftward), ▶ (rightward)	1 to 29
[V_POSITION]	Move the menu window vertically. ◀ (upward), ▶ (downward)	1 to 37
[TRANSLUCENT]	Adjust the transparency of the background color (blue) on the menu window. [OFF]: Blue, [ON]: Translucent Note: Alpha blending technology is used for transparency effects.	[OFF], [ON]
[CUSTOM NAME]	See paragraph 2.4.2.	

2. ADJUSTMENTS

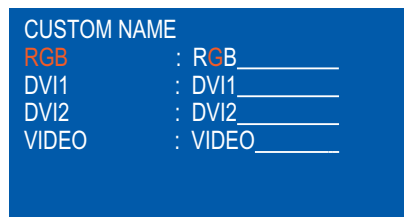
2.4.2 How to change the signal name

You can change the signal name ([RGB], [DVI1/2] or [VIDEO]) to a name (ex. the equipment name) which is easy to understand. The name is shown in the DISP selection window and the indication shown at the upper right of the screen (see section 3.4).

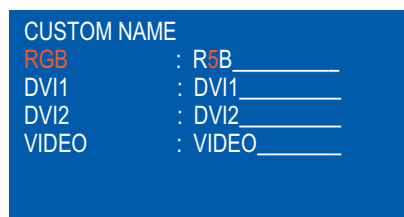
1. Press the **MENU** key to show the menu.
2. Press the ◀ or ▶ key to select [OSD].
3. Press the ▲ or ▼ key to select the signal to change its name in the signal name area. In the example below, [RGB] is selected.



4. Press the ▶ key to select the character to change. In the example below, "G" of RGB is selected.



5. Press the ▲ or ▼ key to select an appropriate alphanumeric character. In the example below, "5" is selected. You can use a maximum of ten characters. "A to Z", "0 to 9", "-", ".", " " (space) are available.



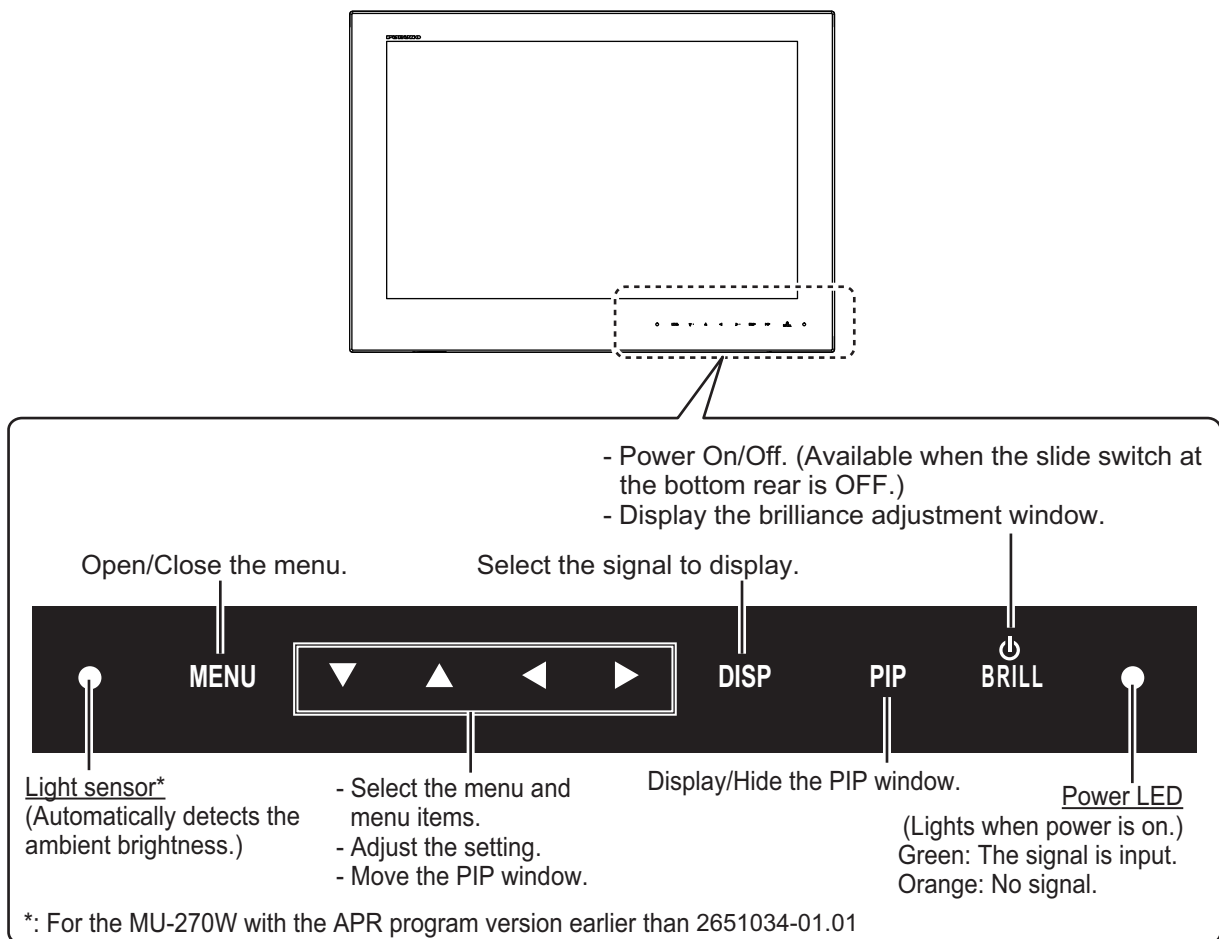
6. To change another signal name, press the ◀ key several times to return the cursor to the signal name area. Repeat steps 3 to 5.
7. Press the **MENU** key to close the menu.

3. OPERATION

Note: When you connect the monitor unit to FMD-3xxx, FAR-3xxx or FAR-2xx8 series, you can turn the power on/off and adjust the brilliance via the application of the FMD-3xxx, FAR-3xxx or FAR-2xx8 series only (see section 2.1).

3.1 Controls

The MU-270W is operated by touch controls.



The dimmer for the power LED and keys changes with the display brilliance. Also, when you connect the monitor unit to FMD-3xxx, FAR-3xxx or FAR-2xx8 series, the dimmer for the power LED and keys changes with the brilliance modes (Day, Dusk, Night) of those models. When you connect the monitor unit to the equipment other than FMD-3xxx, FAR-3xxx or FAR-2xx8 series, the control is done from the MU-270W. If the keys of MU-270W are not illuminated, provide external illumination (local supply).

Notes on touch control operations

- Waterdrops on the screen can cause mis-operation and slow touch response. Wipe the screen with a dry cloth to remove the water.
- This equipment uses a capacitive touch screen. Tap the screen with your fingertips directly. Do not use sharp objects (needle, pen, nail) or a stylus pen. Be careful not to scratch the screen.

3. OPERATION

- The touchscreen cannot be operated while wearing gloves.
- Do not put objects (adhesive-backed paper, etc.) on the screen. Mis-operation can result.
- Keep the equipment away from a radio antennas, fluorescent lights, solenoid valves and electronic devices to prevent unintended operation by noise.
- The front panel is made of glass. If the front panel is damaged, do not try to repair it yourself. Unauthorized repair will void the warranty. Contact your dealer about repair or replacement.
- The touch screen can be locked to prevent operation of the equipment. See the procedure below.

3.2 How to Turn the Power On/Off


3.2.1 Turn the power on/off

How to turn on/off the power depends on the slide switch setting. The slide switch is set when the monitor unit is installed. See section 1.8.

Note: The screen refreshes slower in low ambient temperature.



Slide switch “ON”

The external equipment connected to the DVI port (DVI-D1 or DVI-D2) can turn on/off the monitor unit. See the external equipment’s operator’s manual.

Note 1: You can not turn on the power with the /BRILL key on MU-270W when the switch is set to ON.

Note 2: When you connect the cables to both DVI-D1 and DVI-D2 ports, turn off the power of both equipment to turn off the monitor unit.

Slide switch “OFF”

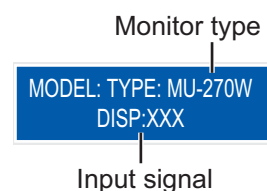
1. Press the /BRILL key to turn on the monitor unit.
2. Press and hold the /BRILL key for three seconds to turn off the monitor unit. While you hold the key, the message shown to the right appears on the screen.



Input signal indication

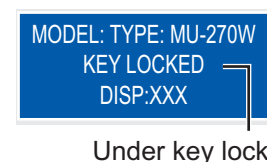
When turning on the monitor, an indication appears at the top-right of the screen for five seconds and shows the input signal. The default input signal is [DVI1].

If no signal is input, the indication "NO SIGNAL" appears instead of input signal.



3.2.2 Unlock the key operation

All the keys of the monitor unit are locked by default. When any key is pressed under key lock, the following indication appears at the top-right of the screen for five seconds to notify the user that the keys are locked.



Unlock the keys to operate all menus.

1. Turn off the monitor unit.
2. Press and hold the **PIP** key, then press the **⏻/BRILL** key to turn on the monitor unit. Keep the **PIP** key pressed for more than five seconds. The key operation is unlocked.
Note: When the slide switch is ON, turn on the connected external equipment while you press the **PIP** key to turn on the monitor unit.
3. To lock the key operation, turn off the monitor unit and then turn it on while you hold the **PIP** key.

The [KEY LOCK] setting in the [INSTALLATION SETTING] menu ([OFF/ON]) is also changed, see page 15.

3.3 How to Adjust the Display Brilliance, Key Backlighting

You can adjust the display brilliance and the key backlighting as follows:

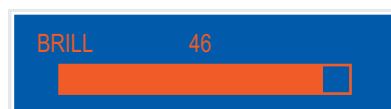
Note: This function is available in the following case:

[AUTO DIMMER] ^{*1}	[EXT BRILL CTRL 1] ^{*2}	[EXT BRILL CTRL 2] ^{*2}	Adjustable display
[OFF]	[OFF]	-	DVI1/RGB/VIDEO displays
	[DVI1]	-	RGB/VIDEO displays
	-	[OFF]	DVI2 display

*1: For APR program version earlier than 2651034-01.01. See paragraph 3.6.1.

*2: See section 2.1.

1. Press the **⏻/BRILL** key momentarily to show the brilliance adjustment window shown in the figure to the right. The [BRILL] window disappears if there is no operation for five seconds.
2. Press the **◀** or **▶** key to adjust the brilliance. The setting range is 1 - 50 (default: 50).
3. Press the **▲** or **▼** key to close the window.



Warning: If you turn off the monitor unit with minimum brilliance, the unit starts with minimum brilliance the next time it is turned on. This can make it difficult to see warnings from connected applications, etc. depending on current lighting conditions. If this occurs, do the following according to the equipment connected;

For FMD-3xxx, FAR-3xxx or FAR-2xx8 series: The brilliance of the monitor unit is adjusted only via those equipment. See the appropriate operator's manual.

For Non-SOLAS: Press the **⏻/BRILL** key repeatedly to adjust the brilliance.

3.4 How to Select the Source for Main Picture

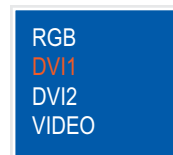
Select the signal to display on the screen as follows:

Note 1: When the signal resolution is not WUXGA, the characters are not clear on the display. Adjust [PHASE] and [SHARPNESS] referring to page 17

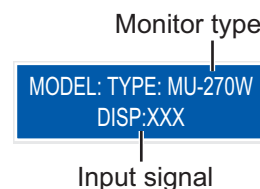
Note 2: If the video signal does not comply with VESA specifications, the images may not appear.

1. Press the **DISP** key to show the DISP selection window. The window shows the signal names as you customized them at paragraph 2.4.2. This window disappears if there is no operation for five seconds.

Note: When the [DVI SELECTOR] setting is [AUTO] or [EXTERNAL], the **DISP** key is not available. See paragraph 3.6.2.



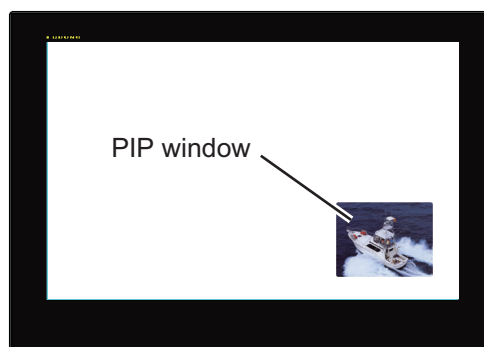
2. Press the ▲ or ▼ key to select a signal.
 [RGB]: Show the signal from the RGB port.
 [DVI1], [DVI2]: Show the signal from the selected DVI port.
 [VIDEO]: Show the external video from the VIDEO port.
3. Press the ◀ or ▶ key to close the window. The name of the selected signal appears at the top-right of the screen for five seconds after the DISP selection window disappears. If no signal is input, "NO SIGNAL" appears.



3.5 How to Display the PIP Window

The PIP (picture-in-picture) window, which displays the picture input to the VIDEO port, is available on the RGB, DVI1 and DVI2 displays.

1. With the RGB, DVI1 or DVI2 display shown, press the **PIP** key to show the PIP window. To hide the PIP window, press the **PIP** key again.
2. You can move the PIP window by pressing the arrow keys when the menu is closed.



Note: You can adjust the size of the PIP window on the [VIDEO] menu (see section 2.3).

3.6 SYSTEM Menu

The [SYSTEM] menu controls the brilliance, restores the default settings and shows signal status and program number.

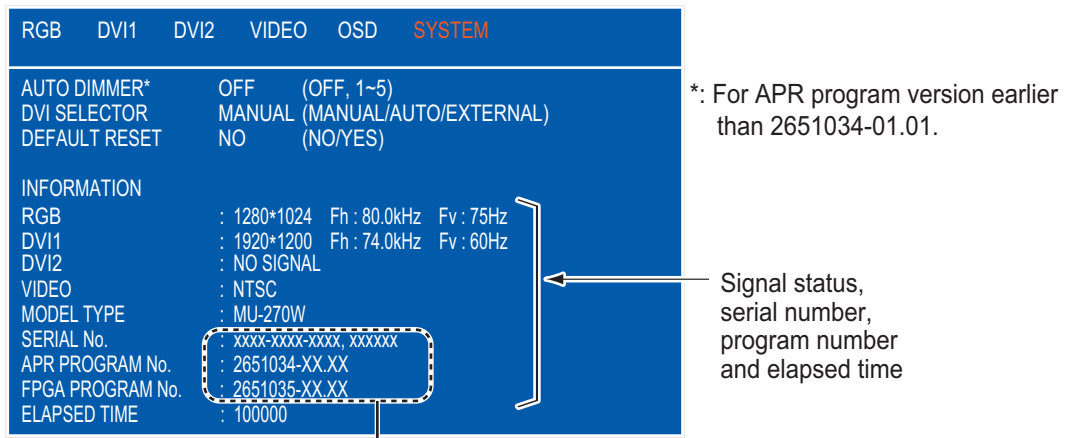
3.6.1 How to set the auto dimmer

The auto dimmer feature automatically adjusts the brilliance according to the ambient brightness detected by the light sensor on the front panel. Also, you can select the interval at which the brilliance is adjusted.

Note 1: This function is available with the ARP program version earlier than 2651034-01.01.

Note 2: Do not put any objects in front of the light sensor.

1. Press the **MENU** key to show the menu.
2. Press the **▶** key to select [SYSTEM].



The specific numbers are shown.

3. Press the **▲** or **▼** key to select [AUTO DIMMER].
4. Press the **◀** or **▶** key to select an interval to check brightness.
 - [OFF]: Disable this function.
 - [1]: Every two seconds
 - [2]: Every 30 seconds
 - [3]: Every minute
 - [4]: Every three minutes
 - [5]: Every five minutes

Note 1: When you connect the monitor unit to FMD-3xxx, FAR-3xxx or FAR-2xx8 series, set to [OFF].

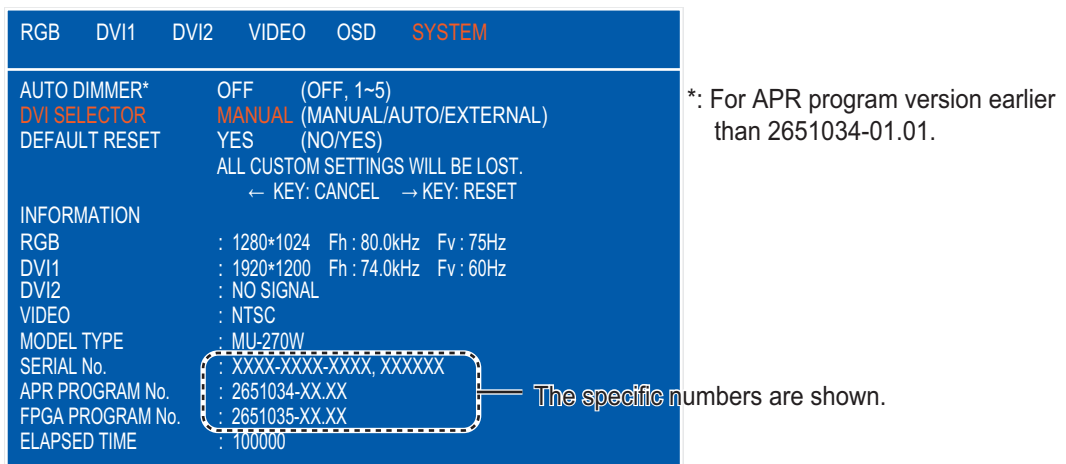
Note 2: This [AUTO DIMMER] setting is higher priority than the [EXT BRILL CTRL 1/2] setting on the [INSTALLATION MENU] (see section 2.1).

5. Press the **MENU** key to close the menu.

3.6.2 How to select the method of switching the display

You can select the method to switch the DVI signal. The three methods are, manual, auto or with external switch box. The switch box is supplied locally.

1. Press the **MENU** key to show the menu.
2. Press the **▶** key to select [SYSTEM].
3. Press the **▲** or **▼** key to select [DVI SELECTOR].
4. Press the **◀** or **▶** key to select the appropriate setting.



- [MANUAL]: Use the **DISP** key to switch display. See section 3.4 for the **DISP** key.

3. OPERATION

- [AUTO]: The DVI1 signal has the display priority. When the [DVI1] signal is not input, the [DVI2] display is shown. When the DV1 signal is input again, the system automatically switches back to the DV1 display.

When the signal is switched automatically, the input signal currently appears at the right top corner. Press the **DISP** key to delete this window. If no signal is input, "NO SIGNAL" appears.

Note: The **DISP** key is available only for deleting the indication.

If the **DISP** key is pressed other than for deleting the indication, the indication that the [AUTO] setting of [DVI SELECTOR] appears at the top-right of the screen.



[DISP] key to delete the indication.



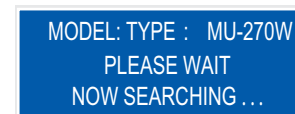
- [EXTERNAL]: The switch box is supplied locally. When the switch box is "ON", the [DVI1] display is shown. When the switch box is "OFF", the [DVI2] display is shown. When the input signal is changed, the current signal appears at the right top corner for five seconds after switching signals. If no signal is input, "NO SIGNAL" appears.

Note 1: For [AUTO] and [EXTERNAL], the **DISP** key is not available to switch the input signal. Also, the [RGB] and [VIDEO] displays are not shown.

Note 2: When the selected signal is not input, the system searches for other input signals. While searching, the indication shown to the right appears at the top-right of the screen.



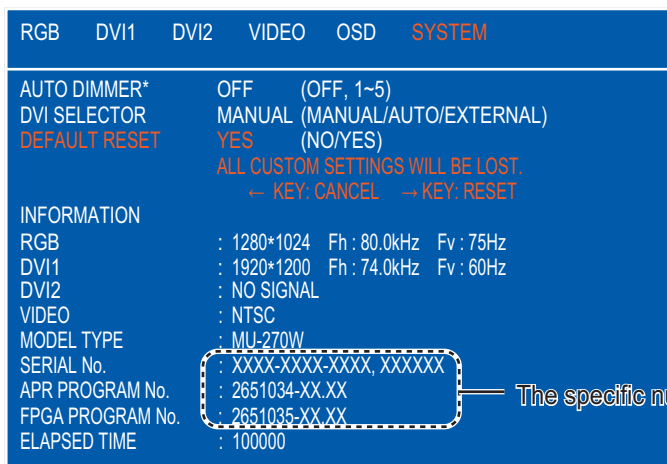
Input signal



3.6.3 How to restore the default settings

You can restore the default settings by doing the following:

1. Press the **MENU** key to show the menu.
2. Press the **▶** key to select [SYSTEM].
3. Press the **▲** or **▼** key to select [DEFAULT RESET].
4. Press the **▶** key. The indication changes from "NO" to "YES".



*: For APR program version earlier than 2651034-01.01.

Note: To cancel, press the **◀** key. The indication changes from "YES" to "NO".

5. Press the **▶** key to select [RESET].

4. MAINTENANCE

NOTICE

Do not apply paint, anti-corrosive sealant or contact spray to coating or plastic parts of the equipment.

Those items contain organic solvents that can damage coating and plastic parts, especially plastic connectors.

4.1 Maintenance

Routine maintenance

Regular maintenance is important for good performance. Check the following on a regular basis to keep the equipment in good condition.

- Check that the connectors at the bottom of the monitor unit are tightly fastened.
- Check the ground wire and ground terminal for rust. Clean if necessary. Confirm that the ground wire is tightly fastened.
- Remove dust and dirt from the monitor unit with a dry, soft cloth. Do not use chemical cleaners to clean any part of the monitor unit. They can remove paint and markings.
- Wipe the LCD carefully to prevent scratching, using an LCD cleaning cloth (supplied as accessory). To remove dirt or salt deposits, use an LCD cleaner, wiping slowly with tissue paper so as to dissolve the dirt or salt. Change paper frequently so the salt or dirt will not scratch the LCD. Do not use solvents such as thinner, acetone or benzene for cleaning. Also, do not use degreaser or antifog solution, as they can strip the coating from the LCD.

Fuse replacement

The fuse in the fuse holder at the bottom of the display protects the equipment from overvoltage and overcurrent. If the fuse blows, find the cause before you replace it. If the fuse blows again after replacement, call for service.

Item	Type	Code No.
Fuse	FGBO-A 250V 5A PBF	000-155-840-10

LCD replacement

The life of the LCD is approximately 70,000 hours. The actual number of hours depends on ambient temperature and humidity. When the brilliance cannot be raised sufficiently, replace the LCD.

Fan replacement

The life of the each fan is shown in the table on the next page. The actual number of hours depends on ambient temperature. When the fan does not rotate sufficiently, the message "Fan replacement - contact your dealer." and the number of the fan to be replaced are shown. Turn off the power and contact your dealer to request replacement of the fan.

Note: When replacing the fan, check the mounting direction of fan referring to the figure below (rear inside view).



WARNING

Use the proper fuse.

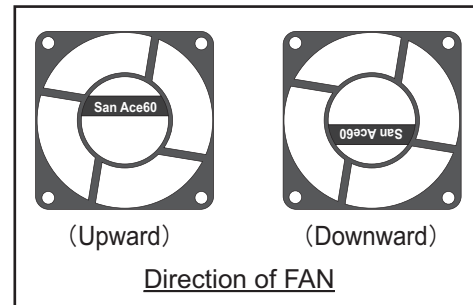
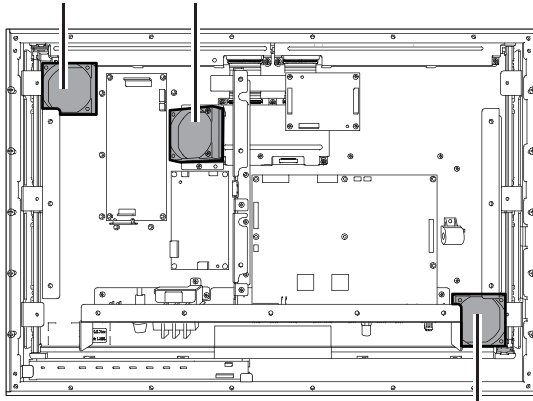
Use of a wrong fuse can cause fire or damage to the equipment.

4. MAINTENANCE

Item	Life	Type	Code No.
FAN	Approximately 60,000 hours	9GA0612L704	000-191-943-10

FAN1
(Fixed upward.)


FAN2
(Fixed upward.)



FAN3
(Fixed downward.)

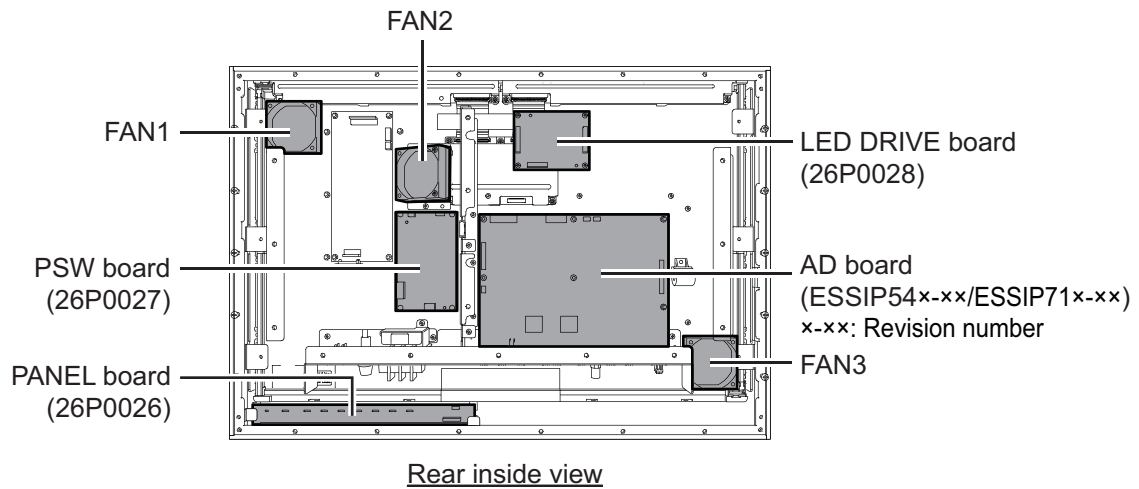
4.2 Troubleshooting

See the following table to find the possible causes of trouble and the actions to restore normal operation. If repair of the equipment is necessary, report the result of the troubleshooting to the service technician.

Case	Remedy
You can not turn on the power.	<ul style="list-style-type: none"> • Check if the power switch at the bottom of the display is on. • Check the setting of the slide switch. • Check the battery voltage with a multimeter. • Check the fuse at the bottom of the display. • Check the power cable is fastened tightly.
You can not turn off the power.	<ul style="list-style-type: none"> • Press and hold the /BRILL key for eight seconds. • When the slide switch is set to ON, turn off the external equipment connected to turn off the monitor.
No picture	<ul style="list-style-type: none"> • Fasten the cables tightly. • Check the input signal. See section 3.6. • Check the setting for DISP selection window. See section 3.4. • Check if the display brilliance is not set to minimum.

4.3 Parts Location and Parts List

Parts location



Parts list

ELECTRICAL PARTS

Model	MU-270W
Unit	Monitor unit MU-270W

PRINTED CIRCUIT BOARD	Code No.
26P0026 (PANEL board)	-
26P0027 (PSW board)	-
ESSIP54x-xx/ESSIP71x-xx (AD board, x-xx: Revision number)	-
26P0028 (LED DRIVE board)	-
LCD	Code No.
LQ270M1LX01A	-
FAN	Code No.
9GA0612L704	-

APPX. 1 JIS CABLE GUIDE

Cables listed in the manual are usually shown as Japanese Industrial Standard (JIS). Use the following guide to locate an equivalent cable locally.

JIS cable names may have up to 6 alphabetical characters, followed by a dash and a numerical value (example: DPYC-2.5).

For core types D and T, the numerical designation indicates the *cross-sectional Area (mm²)* of the core wire(s) in the cable.

For core types M and TT, the numerical designation indicates the *number of core wires* in the cable.

1. Core Type

D: Double core power line

T: Triple core power line

M: Multi core

TT: Twisted pair communications
(1Q=quad cable)

2. Insulation Type

P: Ethylene Propylene Rubber

3. Sheath Type

Y: PVC (Vinyl)

4. Armor Type

C: Steel

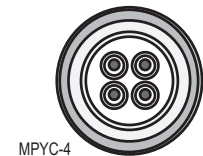
5. Sheath Type

Y: Anticorrosive vinyl sheath

6. Shielding Type

SLA: All cores in one shield, plastic tape w/aluminum tape

-SLA: Individually shielded cores, plastic tape w/aluminum tape



EX: ^{1 3 4 5 6} TTYC YSLA - 4
 Designation type | # of twisted pairs

EX: ^{1 2 3 4} MPYC - 4
 Designation type | # of cores

The following reference table lists gives the measurements of JIS cables commonly used with Furuno products:

Type	Core		Cable Diameter	Type	Core		Cable Diameter
	Area	Diameter			Area	Diameter	
DPYC-1.5	1.5mm ²	1.56mm	11.7mm	TTYCSLA-1	0.75mm ²	1.11mm	9.4mm
DPYC-2.5	2.5mm ²	2.01mm	12.8mm	TTYCSLA-1T	0.75mm ²	1.11mm	10.1mm
DPYC-4	4.0mm ²	2.55mm	13.9mm	TTYCSLA-1Q	0.75mm ²	1.11mm	10.8mm
DPYC-6	6.0mm ²	3.12mm	15.2mm	TTYCSLA-4	0.75mm ²	1.11mm	15.7mm
DPYC-10	10.0mm ²	4.05mm	17.1mm	TTYCY-1	0.75mm ²	1.11mm	11.0mm
DPYCY-1.5	1.5mm ²	1.56mm	13.7mm	TTYCY-1T	0.75mm ²	1.11mm	11.7mm
DPYCY-2.5	2.5mm ²	2.01mm	14.8mm	TTYCY-1Q	0.75mm ²	1.11mm	12.6mm
DPYCY-4	4.0mm ²	2.55mm	15.9mm	TTYCY-4	0.75mm ²	1.11mm	17.7mm
MPYC-2	1.0mm ²	1.29mm	10.0mm	TTYCY-4SLA	0.75mm ²	1.11mm	19.5mm
MPYC-4	1.0mm ²	1.29mm	11.2mm	TTYCYSLA-1	0.75mm ²	1.11mm	11.2mm
MPYC-7	1.0mm ²	1.29mm	13.2mm	TTYCYSLA-4	0.75mm ²	1.11mm	17.9mm
MPYC-12	1.0mm ²	1.29mm	16.8mm	TTPYCSLA-1	0.75mm ²	1.11mm	9.2mm
TPYC-1.5	1.5mm ²	1.56mm	12.5mm	TTPYCSLA-1T	0.75mm ²	1.11mm	9.8mm
TPYC-2.5	2.5mm ²	2.01mm	13.5mm	TTPYCSLA-1Q	0.75mm ²	1.11mm	10.5mm
TPYC-4	4.0mm ²	2.55mm	14.7mm	TTPYCSLA-4	0.75mm ²	1.11mm	15.3mm
TPYCY-1.5	1.5mm ²	1.56mm	14.5mm				
TPYCY-2.5	2.5mm ²	2.01mm	15.5mm				
TPYCY-4	4.0mm ²	2.55mm	16.9mm				

APPX. 2 ABBREVIATIONS

	Abbreviation	Meaning
A	AD	Analog-digital
	APR	Application PRogram
B	BRILL	Brilliance
C	CCD	Charge-Coupled Device
D	DISP	Display
	DVD	Digital Versatile Disk
	DVI	Digital Visual Interface
E	ECDIS	Electronic Chart Display and Information System
F	FAR	Type of FURUNO radar
	FMD	Type of FURUNO ECDIS
	FPGA	Field-Programmable Gate Array
L	L	Left
	LCD	Liquid Crystal Display
N	NTSC	National Television System Committee
O	OSD	On Screen Display
P	PAL	Phase Alternation Line
R	R	Right
	RGB	Red/Green/Blue Color model
S	SOLAS	The International Convention for the Safety of Life at Sea
	SVGA	Super Video Graphics Array (800×600)
U	USB	Universal Serial Bus
W	w/o	without
	WUXGA	Wide Ultra eXtended Graphics Array (1920×1200)

**SPECIFICATIONS OF MONITOR UNIT
MU-270W****1 GENERAL**

1.1	Display	27-inch color LCD
1.2	Resolution	WUXGA (1920 x 1200 pixel)
1.3	Pixel pitch	0.303 mm (Horizon/Vertical)
1.4	Brightness	400 cd/m ² typical
1.5	Contrast	1500: 1 typical
1.6	View angle	85° (up/down/left/right)
1.7	Visible distance	1.02 m nominal
1.8	Input signal	
	RGB analog	1 port, Non-interlace, RGB signal: 0.7 Vp-p, Sync. signal: TTL level
	DVI-D	2 ports, DVI-standard, VESA DDC2B
	Composite signal	1 port, NTSC/PAL standard, Video signal: 0.7 Vp-p, 0.3V
	USB	1 port, USB1.1, 12 Mbps (for brilliance control)
	RS-232/485	2 port, EIA/TIA-232/485 (for brilliance control)
	Contact closure	1 port, +12V

2 POWER SUPPLY

100-230 VAC: 0.6-0.4 A, 1 phase, 50/60Hz

3 ENVIRONMENTAL CONDITIONS

3.1	Ambient temperature	-15°C to +55°C
3.2	Relative humidity	93% or less at +40°C
3.3	Degree of protection	IP22
3.4	Category of equipment	Protected from the weather
3.5	Vibration	IEC 60945 Ed.4

4 UNIT COLOR

N2.5



重要なお知らせ

- マニュアル記載内容の一部または全部の転載、複写は著作権者である当社の許諾が必要です。無断転載することを固くお断りします。
- 製品の仕様ならびにマニュアルの内容は予告なく変更することがあります。
- 画面に表示される内容は、システムの設定や動作状態によって異なります。したがって、マニュアル内に掲載してあるイラストは画面の表示と異なる場合があります。
- お客様がマニュアルの内容に従わずに本機または本ソフトウェアを取り扱われたり、または当社および当社指定の者以外の第三者により改造・変更されることに起因して生じる障害等については、当社は責任を負いかねますのでご了承ください。
- お買い上げの機器を廃棄するときは、産業廃棄物として地方自治体の条例、または規則に従って処理してください。詳しくは、各地方自治体に問い合わせてください。
- マニュアルに記載されている社名、製品名は、一般に各開発メーカーの登録商標または商標です。

⚠ 安全にお使いいただくために






必ずお守りください




お使いになる人や他の人への危害、財産への損害を未然に防止するため、以下のことを必ずお守りください。表示内容を無視して誤った使い方をしたときに生じる危害や、損害の程度を本書では次の表示で区分し、説明していますので十分に気をつけてください。




 警告	この表示は「取扱いを誤った場合、死亡または重傷を負う可能性が想定される」内容です。
 注意	この表示は「取扱いを誤った場合、中程度または軽傷の傷害、あるいは財産への損害を負う可能性が想定される」内容です。

 「注意喚起」の内容	 「禁止」の内容	 「強制」の内容
---	---	---


取扱い上の安全事項


 警告	
	機器内部に金属や水、異物が入ったときは、ただちに配電盤の電源スイッチを切ること。 火災、感電の原因になります。
	発煙、発火のときは、速やかに配電盤の電源スイッチを切ること。 火災、感電の原因になります。必ず、お買い上げ先へ連絡してください。
	分解・改造は絶対しないこと。 火災、感電、ケガの原因になります。
	異常を感じたときは、速やかに配電盤の電源スイッチを切ること。 使用中に機器が異常に熱くなったり、異常な音がするときは速やかに配電盤の電源スイッチを切り、お買い上げ先へ連絡してください。


 警告	
	ヒューズは規定のものを使用すること。 規定外のものを使った場合、重大な事故や火災を引き起こす原因になります。
	排気口と吸気口の周辺には物を置かないこと。 火災の原因になります。


 注意	
	電源を入れた状態で、信号ケーブルコネクタの抜き差しを行わないでください。 表示器が故障する恐れがあります。
	液晶パネルはガラスでできていますので、強い力や衝撃を加えないでください。 ガラスが割れて、ケガの原因となる場合があります。


装備上の安全事項

 **警告**

 機器を装備する前に、必ず配電盤の電源スイッチを切っておくこと。
火災、感電の原因になります。

 水しぶきや雨の当たるところには装備しないこと。
火災、感電、故障の原因になります。

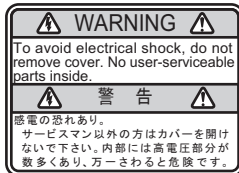
 **注意**

 次のコンパス安全距離を確保してください。
コンパス安全距離を確保しないと、安全な操船ができない場合があります。

標準コンパス	操舵コンパス
0.90m	0.55m

警告ラベル

下図のような警告ラベルが貼ってあります。警告ラベルは絶対に、はがさないでください。また、汚れて文字が見にくくなった場合は、お買い上げ先までご連絡ください。



名称： 警告ラベル(1)
型式： 86-003-1011-3
コード番号： 100-236-233-10



名称： 高圧マーク(2)
型式： 16-018-3206-0
コード番号： 100-297-770-10

TFT 液晶パネルについて

- TFT 液晶パネルは、非常に精密度の高い技術で作られており99.99%以上が有効画素ですが、0.01%以下の画素欠けや常時点灯する画素が存在します。また、視野角の制限、画面ちらつきがあります。これらは、故障ではありませんので、あらかじめご了承ください。
- 本機は非ボンディング品のため、周囲の温度環境によってはパネルに結露が生じる可能性があります。

目次

はじめに	v
システム構成	vi
構成表	vii
1章 取付けと結線	1
1.1 準備	1
1.2 埋込み前留め装備 (標準)	2
1.3 埋込み前留め装備 (フード付き)	3
1.4 埋込み後ろ留め装備	5
1.5 埋込み後ろ留め装備 (フード付き)	7
1.6 卓上装備	8
1.7 卓上装備 (フード付き)	10
1.8 結線	11
1.8.1 コネクタ / スイッチ	11
1.8.2 ケーブル端末処理および固定方法	12
2章 装備後の調整	14
2.1 装備設定	14
2.2 RGB、DVI 画面の設定 (汎用モニター用)	16
2.3 VIDEO 画面の設定 (汎用モニター用)	18
2.4 メニュー表示の設定 (汎用モニター用)	19
2.4.1 メニュー表示画面を調整する	19
2.4.2 信号名を変更する	20
3章 操作	21
3.1 操作パネルの説明	21
3.2 電源のオン / オフ	22
3.2.1 電源をオン / オフする	22
3.2.2 キーロックを解除する	23
3.3 輝度の調整	23
3.4 画面全体に表示する入力信号の選択	24
3.5 PIP ウィンドウの表示	24
3.6 システムメニュー	25
3.6.1 自動輝度調光機能をオン / オフする	25
3.6.2 画面の DVI 入力信号を切り替える	25
3.6.3 設定を初期化する	27
4章 保守点検	28
4.1 保守点検	28
4.2 故障かなと思ったら	29
4.3 部品配置図と部品表	30
追補 1 略語リスト	AP-1
仕様	SP-1
パッキングリスト	A-1
外寸図	D-1
相互結線図	S-1

はじめに

このたびは、当社製品をお買い求めいただき、誠にありがとうございます。当社は 1948 年の創業以来、数々の船用電子機器を製造販売しており、性能、品質、信頼性については全世界のユーザーの方々から高い評価を受けています。本機は、厳しい品質管理のもとで設計・製造されていますので、性能・耐久性ともに安心してご使用いただけます。この取扱説明書をよくお読みいただき、本来の性能を十分発揮させていただきますようお願い申し上げます。

特徴

本機は、27.0 型の高輝度ワイドカラー液晶ディスプレイです。主な特徴は次のとおりです。

- 日本製産業用液晶パネルを用いた 27.0 型 WUXGA 表示器
- 全面ガラスの狭額縁デザイン
- S-52 規格に適合するカラーキャリブレーション機能搭載
- 解像度 SVGA ~ WUXGA までに対応可能なスケーラ機能搭載
- RGB 信号 1 系統、デジタル信号 2 系統、コンポジット信号 1 系統を接続し、メニューにて選択表示が可能
- 高解像度表示：WUXGA (1920×1200 ドット)
- 光センサーによる自動調光機能搭載
(APR プログラムバージョン：2651034-01.01 以前の場合のみ)
- ピクチャーインピクチャー機能搭載
- DVI 信号による表示器の自動電源オン/オフ機能搭載
- スイッチボックス (現地手配) を接続することで DVI 信号を簡単切替

プログラム

プログラム名	バージョン番号	設定日
APR PROGRAM	2651034-xx.xx	2016 年 6 月
FPGA PROGRAM	2651035-xx.xx	2016 年 6 月

xx: 軽微な変更の進捗

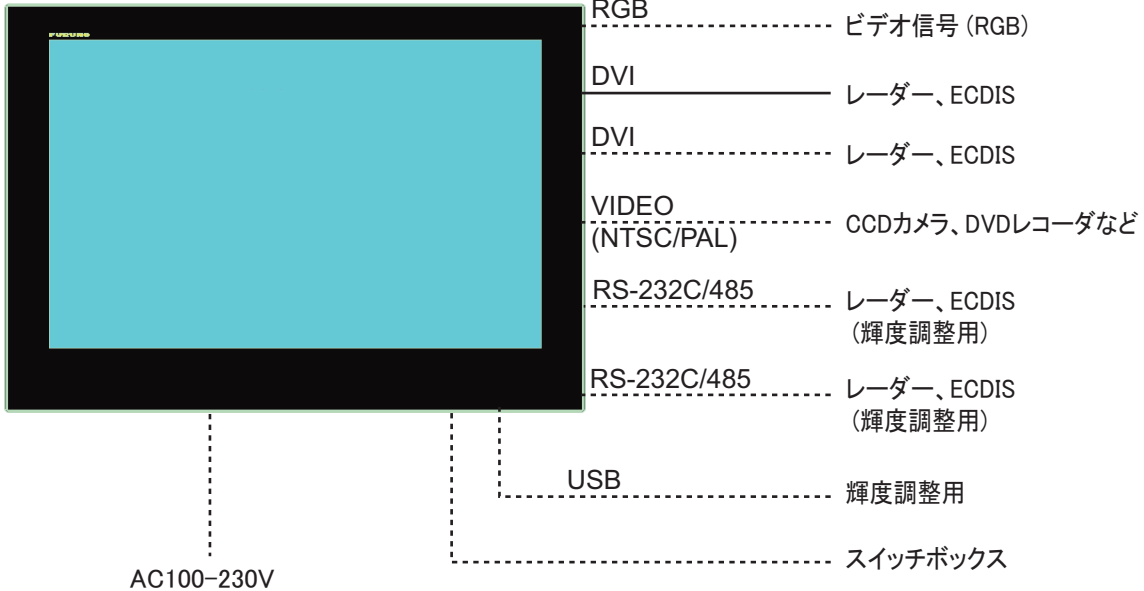
プログラムバージョン番号は [SYSTEM] メニューで確認できます (3.6 節参照)。[SYSTEM] メニューはキーロックを解除してから開いてください (3.2.2 項参照)。

注) FMD-3xxx、FAR-3xxx、FAR-2xx8 シリーズ、CD-3x00、KQ-900 と接続する場合は、プログラムバージョン番号確認後、再度表示器をキーロックしてください (3.2.2 項参照)。

システム構成

表示部

MU-270W



機器のカテゴリ

MU-270W: 風雨からの防護形

————— : 標準構成

- - - - - : オプションまたは現地手配

接続可能機種 (横型のみ対応)

機種	解像度	信号形式
FMD-3xxx シリーズ	WUXGA	DVI
FAR-3xxx シリーズ	WUXGA	DVI
FAR-2xx8 シリーズ	WUXGA	DVI
CD-3x00	WUXGA	DVI
KQ-900	WUXGA	DVI

構成表

標準構成

名称	型式	コード番号	数量	備考
表示部	MU-270W-A	-	1	DVI ケーブル付き (5 m)
	MU-270W-N	-		DVI ケーブルなし (5 m)
工事材料	CP26-02100	000-029-939	1	MU-270W-A 用
	CP26-02110	000-030-415		MU-270W-N 用
付属品	FP26-00401	001-175-940	1	フィルタークリーナー (19-028-3125-6、 コード番号: 100-360-676-10)
予備品	SP26-00801	001-468-150	1	ヒューズ (FGBO-A 250V 5A PBF、 コード番号: 000-155-840-10)、3 個

オプション

名称	型式	コード番号	備考
ケーブル組品	3COX-2P-6C 5M	001-077-230-10	5m、両端 15 ピン D-sub コネクタ付き
	3COX-2P-6C 10M	001-077-220-10	10m、両端 15 ピン D-sub コネクタ付き
	DVI-D/D S-LINK 5M	001-132-960-10	5m、両端 DVI-D コネクタ付き
ハンガー箱詰	OP26-30	001-439-060	
フラッシュマウ ント後ろ留め	OP26-31	001-439-070	
フード前留め	OP26-32	001-439-090	
フード後ろ留め	OP26-33	001-439-110	
ダストカバー (27)	26-009-1093	001-439-120	
取手	FP03-09840	008-535-570	
圧着工具 (フェルルール)	CRIMPFOX 10S	000-177-298-10	
連結台 (27)	OP26-34	001-462-860	モニターと操作部の連結用

1 章 取付けと結線

1.1 準備

取付け方法

表示器は次のような方法で取り付けることができます。取付け寸法の詳細は、巻末の外寸図を参照してください。

- 埋込み前留め：標準
- 埋込み前留め（フード付）：オプション
- 埋込み後ろ留め：オプション
- 埋込み後ろ留め（フード付）：オプション
- 卓上（フード取付可）：オプション

注 1) LCD の表面は壊れやすいガラス素材でできているので、強い衝撃や圧力を加えないように注意して取り付けてください。

注 2) 埋込み取付けの場合は、取付け作業が完了するまで、表示器が落下しないように注意してください。

注 3) 曲面には埋込み取付けしないよう注意してください。

取付け位置

次の点を考慮して取付け位置を決めてください。本機は磁気の影響を受けません。

- 取付け場所が表示器の重さに耐えられる場所（質量は巻末の外寸図参照）
- 直射日光が LCD の表面に当たらない場所
LCD に直射日光が長時間当たると、LCD がブラックアウト（黒くなる現象）する可能性があります。
- 船の周囲の状況を観察しながら機器の操作ができる見通しの良い場所
- 巻末の外寸図に示す保守・点検用のスペースが確保できる場所
- 水しぶきのかからない場所（本機は室内装備用）
- コンパス安全距離（iii ページ参照）を確保できる場所

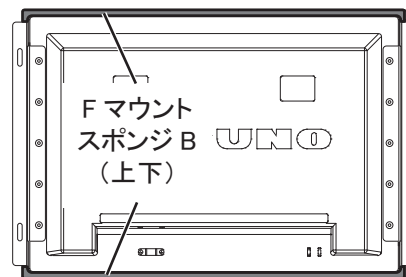
配線

表示器を取り付ける前に必要なケーブルを配線しておきます。配線は、巻末の相互結線図を参照してください。

1.2 埋込み前留め装備（標準）

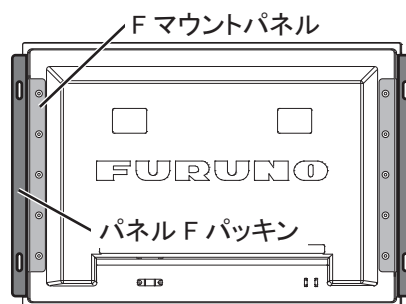
表示器を前面から埋込み装備します（標準取付け）。

1. 巻末の外寸図を参照して、装備場所に穴を開けます。
2. 1.8節「結線」を参照して、必要なケーブルを表示器背面に接続します。
3. FマウントスポンジB（工材）の剥離紙をはがして、表示器背面の上下に貼り付けます。

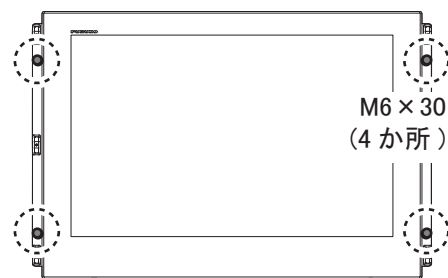


表示器背面

4. パネルFパッキン（工材）の剥離紙をはがして、表示器背面の左右にあるFマウントパネルに貼り付けます。

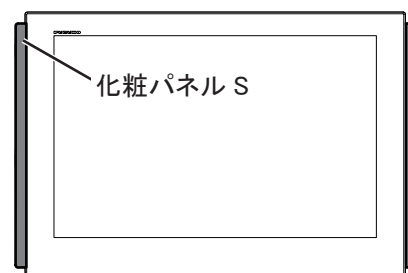


5. 表示器を手順1の取付け穴にはめ込みます。
6. 4本のタッピンネジ（6×30、工材）を使って、表示器を前面から固定します。

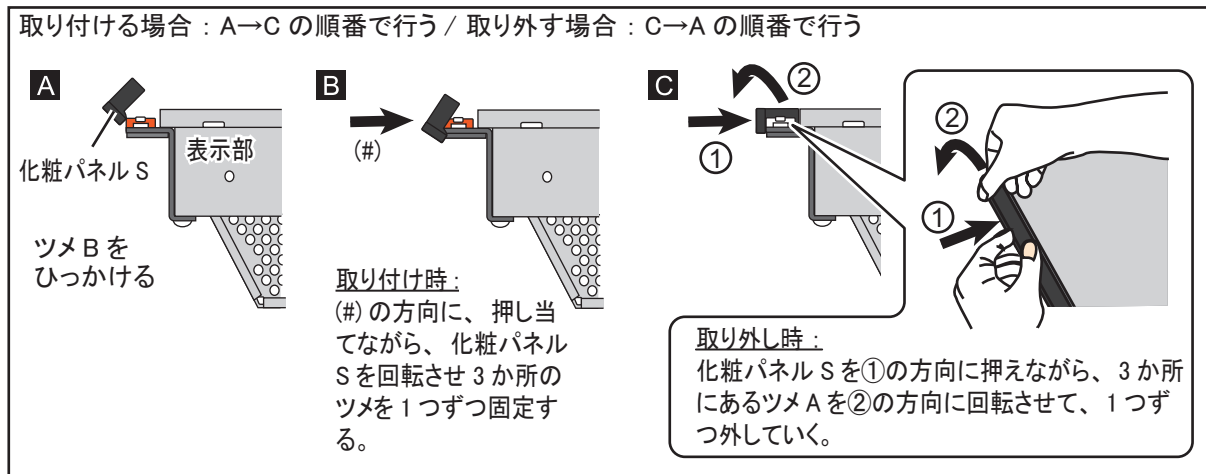
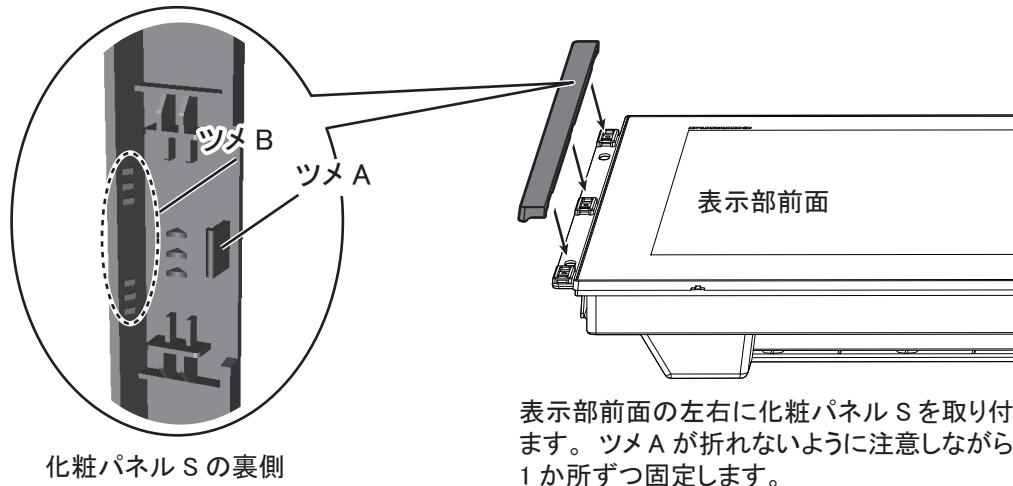


表示器前面

7. 表示器前面の左右Fマウントパネル部に化粧パネルSを取り付けます（3ページの「化粧パネルSの取付け方/取外し方」参照）。



化粧パネル S の取付け方 / 取外し方



1.3 埋込み前留め装備（フード付き）

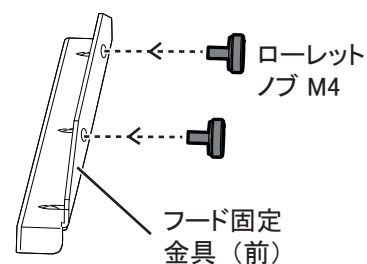
埋込み前留め装備でフードを取り付ける場合は、オプションの「フード前留め（OP26-32）」を使用します。

フード前留め OP26-32 (コード番号：001-439-090)

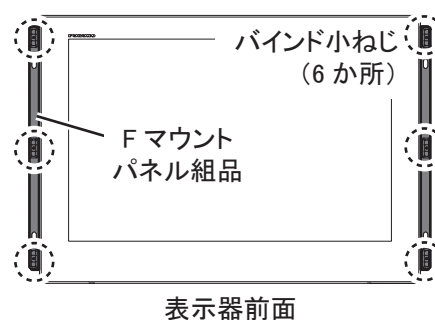
名称	型式	コード番号	数量	備考
フード	26-009-1061	100-407-260-10	1	
フード補強金具	26-009-1062	100-407-270-10	1	
バインド小ねじ	M3×8 SUS304	000-172-166-10	6	フード組立用
ローレットノブ M4	03-163-2303	100-343-602-10	4	
フード固定金具（前）	26-007-2157	100-366-431-10	2	
バインド小ねじ	M3×8 SUS304	000-172-166-10	6	フード固定金具取付用

1. 巻末の外寸図を参照して、装備場所に穴を開けます。
2. 1.2 節「埋込み前留め装備（標準）」の手順 2～手順 4 を行います。

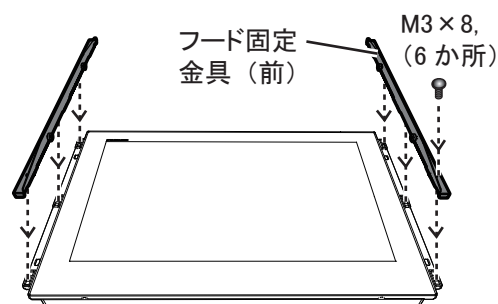
3. フード固定金具（前）（2個）のネジ穴に、内側からローレットノブ M4（4個）を緩く回してはめ込みます。



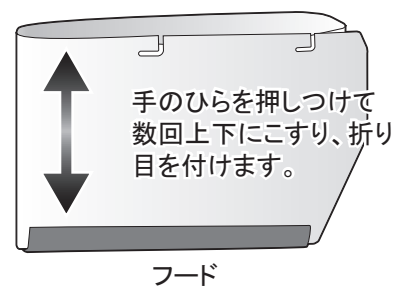
4. 表示器前面から F マウントパネル組品のバインド小ネジ（M3×5、6か所）を取り外します。



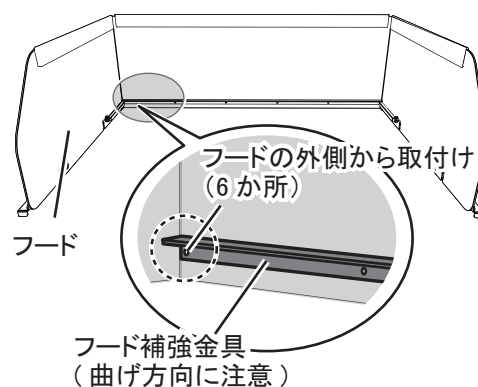
5. 表示器前面からフード固定金具（前）を、バインド小ネジ（M3×8、6か所）で取り付けます。



6. 折りたたんだフードを手のひらで押し伸ばし、折り目をしっかりと付けます。
フードを開いたときに、折りたたみ部分が 90°以上開かないよう、しっかりと折り目を付けてください。

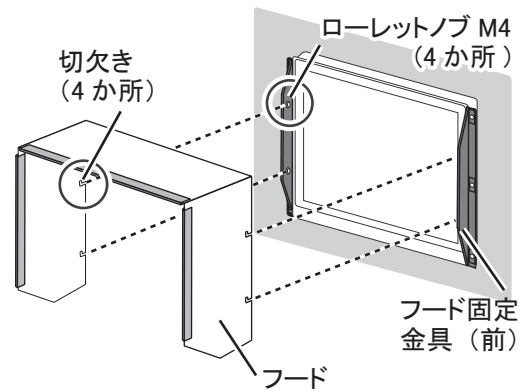


7. フードにフード補強金具を、バインド小ネジ（M3×8、6か所）で取り付けます。

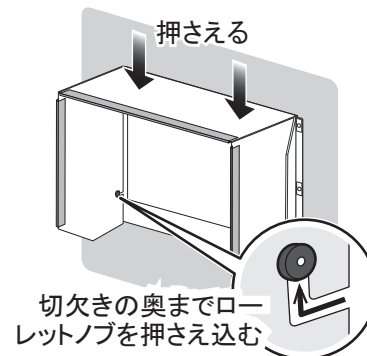


1章 取付けと結線

8. フードの切欠き部分を、ローレットノブとフード固定金具（前）の間に差し込みます。



9. 切欠きとローレットノブが密着するように、フード上部を押さえます。



10. ローレットノブ（4個）を締め付けて、フードを固定します。

1.4 埋込み後ろ留め装備

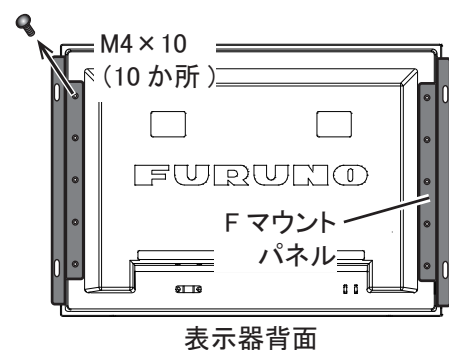
オプションの「フラッシュマウント後ろ留め (OP26-31)」を使って、表示器の埋込み装備時に背面から固定することができます。

フラッシュマウント後ろ留め OP26-31 (コード番号：001-439-070)

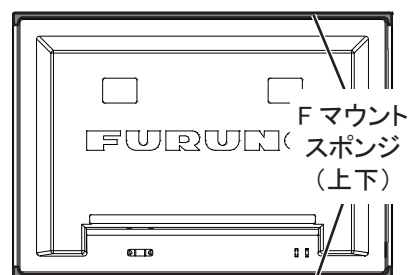
名称	型式	コード番号	数量
Fマウント金具組品	OP26-31-1	001-439-080	4
Fマウントスポンジ	26-009-1076	100-407-320-10	2
FマウントスポンジA	26-009-1084	100-407-360-10	2

1. 巻末の外寸図を参照して、装備場所に穴を開けます。
2. 表示器背面左右にあるFマウントパネル上のM4ネジ（計10か所）を外して、Fマウントパネルを取り外します。

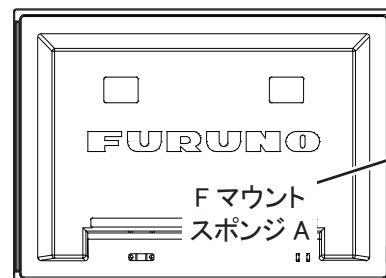
注) 外した10本のネジ（M4）は手順8で再度使用します。



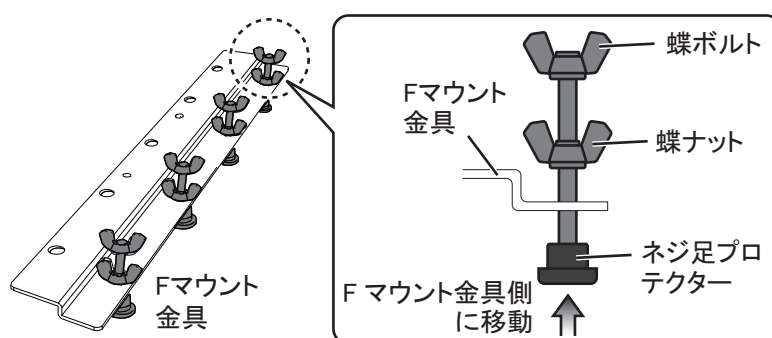
3. 表示器背面上下にFマウントスポンジ（オプションOP26-31工材、型式：26-009-1076）を貼り付けます。



4. 表示器背面の左右にFマウントスポンジA（オプションOP26-31工材、型式：26-009-1084）を貼り付けます。



5. 4個のFマウント金具組品（オプション工材）の蝶ナットと蝶ボルトを回して、ネジ足プロテクターをFマウント金具側に移動します。

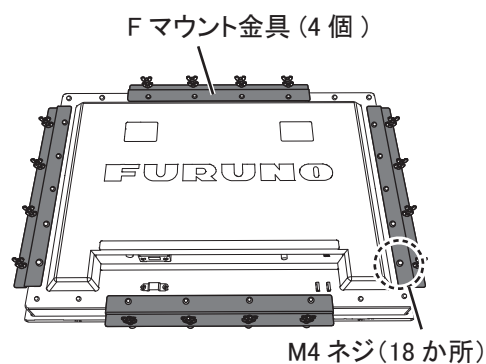


6. 1.8節「結線」を参照して、必要なケーブルを表示器背面に接続します。

7. 取付け穴に表示器をはめ込みます。

8. 18本のネジ（M4）を使って、表示器背面に4つのFマウント金具を取り付けます。Fマウント金具は上下左右の各辺の中央部に取り付けます。

- 左右のFマウント金具取付け：手順2で外したネジ10本を使用します。
- 上下のFマウント金具取付け：元から背面に取り付けられていたネジ8本を使用します。



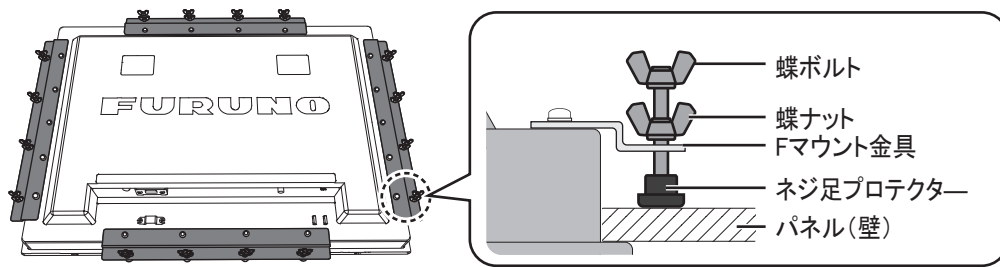
注) 4つのFマウント金具はすべて同じ形状ですが、上下と左右で使用するネジ穴が異なります。(上下：4か所、左右：5か所)

9. 蝶ボルトを回して、ネジ足プロテクターが壁に当たるようにします。

1章 取付けと結線

10. もう一度、蝶ボルトを確実に締め付けて表示器を固定します。

11. 中間の蝶ナットを締め付けます。



1.5 埋込み後ろ留め装備（フード付き）

表示器の後ろ留め装備でフードを取り付ける場合は、下記のオプションを使用します。

- OP26-33 フード後ろ留め
- OP26-31 フラッシュマウント後ろ留め (1.4 節参照)

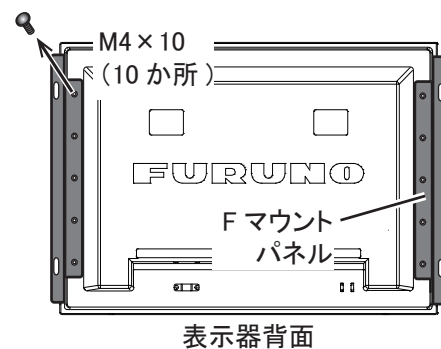
フード後ろ留め OP26-33 (Code No.: 001-439-110)

名称	型式	コード番号	数量
フード	26-009-1061	100-407-260-10	1
フード補強金具	26-009-1062	100-407-270-10	1
バインド小ねじ	M3×8 SUS304	000-172-166-10	6
ローレットノブ M4	03-163-2303	100-343-602-10	4
フード固定金具	26-009-1063	100-407-280-10	2
Fマウントスポンジ A	26-009-1084	100-407-360-10	4

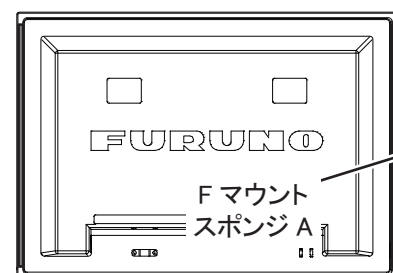
1. 巻末の外寸図を参照して、装備場所に穴を開けます。

2. 表示器背面左右にある F マウントパネル上の M4 ネジ（計 10 か所）を外して、F マウントパネルを取り外します。

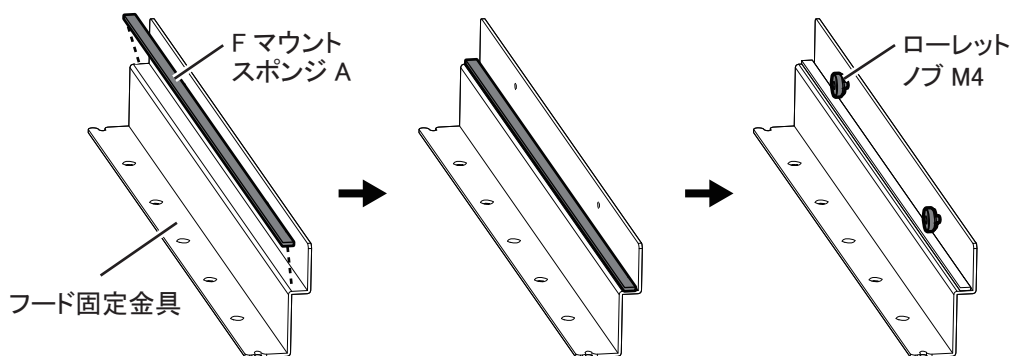
注) 外した 10 本のネジ（M4）は手順 6 で再度使用します。



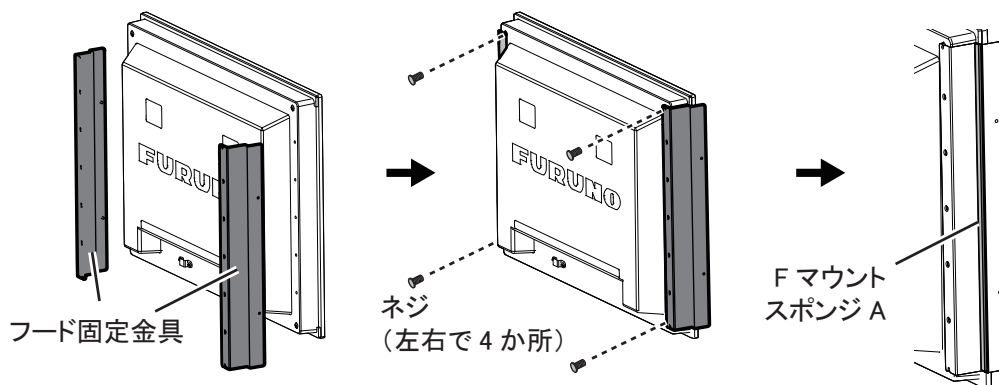
3. 表示器背面の左右に F マウントスポンジ A（オプション OP26-31 工材、型式：26-009-1084）を貼りつけます。



4. 4つのフード固定金具にFマウントスポンジA（オプション OP26-33 工材、型式：26-009-1084）を貼りつけ、ローレットノブ4個を緩く回してはめ込みます。（下図参照）。



5. 手順2で外したFマウントパネルの代わりに、手順4のフード固定金具を表示器左右に取り付けます。このとき、フード固定金具の一番上と下のネジ穴4カ所を使って、表示器に元からついているネジ4本で固定します。その後、フード固定金具にFマウントスポンジAを貼りつけます。



6. 1.4節の手順5～手順11を参照して、取付穴に表示器を取り付けます。
7. 1.3節の手順6～手順10を参照して、表示器にフードを取り付けます。

1.6 卓上装備

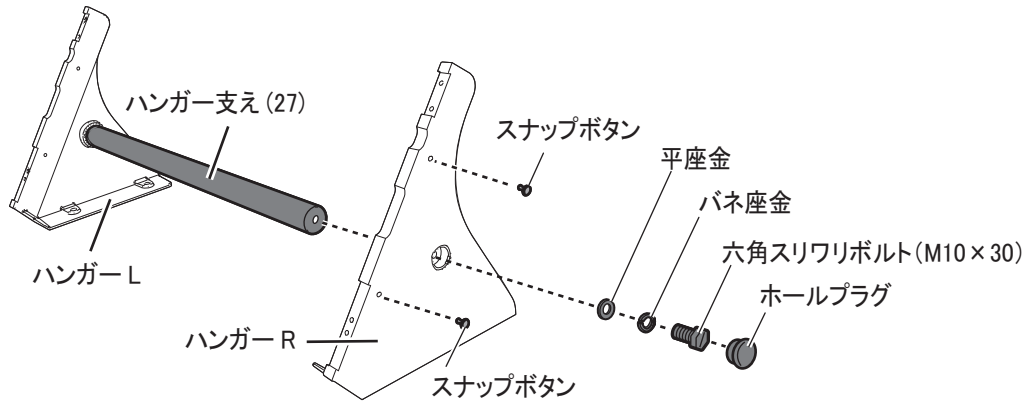
オプションの「ハンガー箱詰（OP26-30）」を使って、卓上に装備することができます。

ハンガー箱詰 OP26-30 (コード番号：001-439-060)

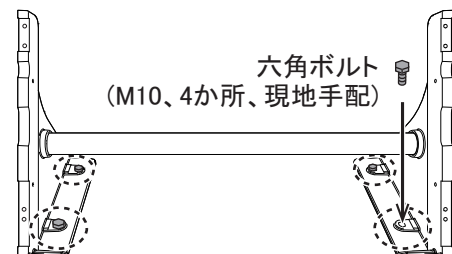
名称	型式	コード番号	数量
スペーサ組品	OP26-21-1	001-143-370	4
ホールプラグ	CP-30-HP-13	000-160-074-10	2
ハンガー L	03-163-7712	100-366-311-10	1
ハンガー R	03-163-7713	100-366-321-10	1
ハンガー支え (27)	26-009-1071	100-407-300-10	1
六角スリワリボルト	M10×30 SUS304	000-162-884-10	2
六角スリワリセムスボルト	M6×25 SUS304	000-162-949-10	4
平座金	M10 SUS304	000-167-232-10	2
バネ座金	M10 SUS304	000-167-233-10	2

名称	型式	コード番号	数量
スナップボタン	KB-13 用ボタンクロ	000-570-276-10	4

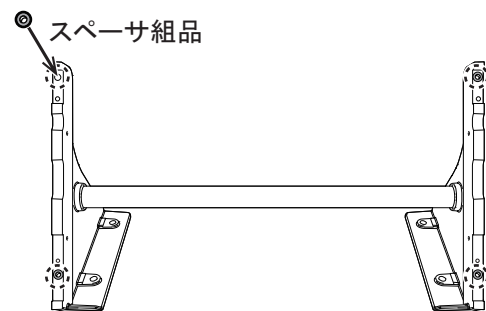
1. ハンガーL、Rとハンガー支え（27）を、ミガキ平座金、バネ座金、六角スリワリボルト（M10x30）とホールプラグで組み立てます。また、ハンガーのネジ穴（4か所）にスナップボタンを取り付けます。



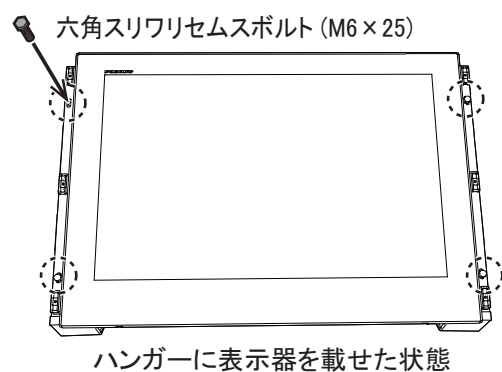
2. 組み立てたハンガーを六角ボルト（M10、4本、現地手配）で装備場所に固定します。



3. 1.8節「結線」を参照して、必要なケーブルを表示器背面に接続します。
 4. 4つのスペーサ組品の両面テープの剥離紙をはがして、ハンガーに取り付けます。



5. 4本の六角スリワリセムスボルト（M6x25）でハンガーに表示器を固定します。



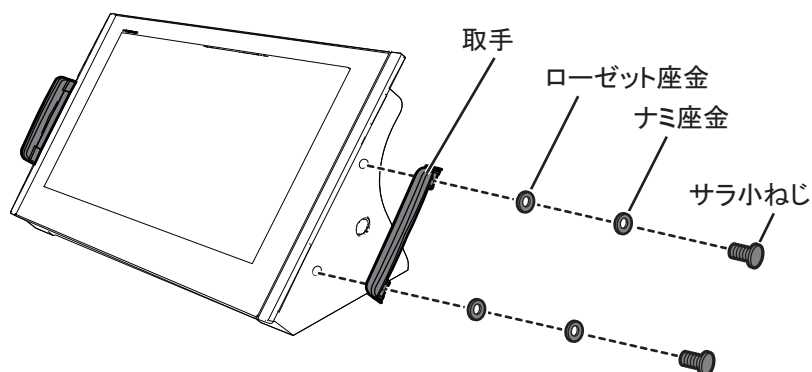
6. 表示器左右に化粧パネルS（工材 CP26-02101）を取り付けます（3ページの「化粧パネルSの取付け方/取外し方」参照）。

取手の取り付け方

オプションの「取手 (FP03-09840)」を使って、表示部に取手を取り付けることができます。

取手 FP03-09840 (コード番号 : 008-535-570)

名称	型式	コード番号	数量
取手 (2 個入り)	FP03-09840	008-534-460	1
サラ小ねじ	M6×20	000-163-677-10	4
ローゼット座金	M6	000-165-694-10	4
ナミ座金	WW-6	000-167-384-10	4



1.7 卓上装備 (フード付き)

卓上装備でフードを取り付ける場合は、オプションの「フード前留め (OP26-32)」を使用します。オプション OP26-32 の構成については 1.3 節を参照してください。

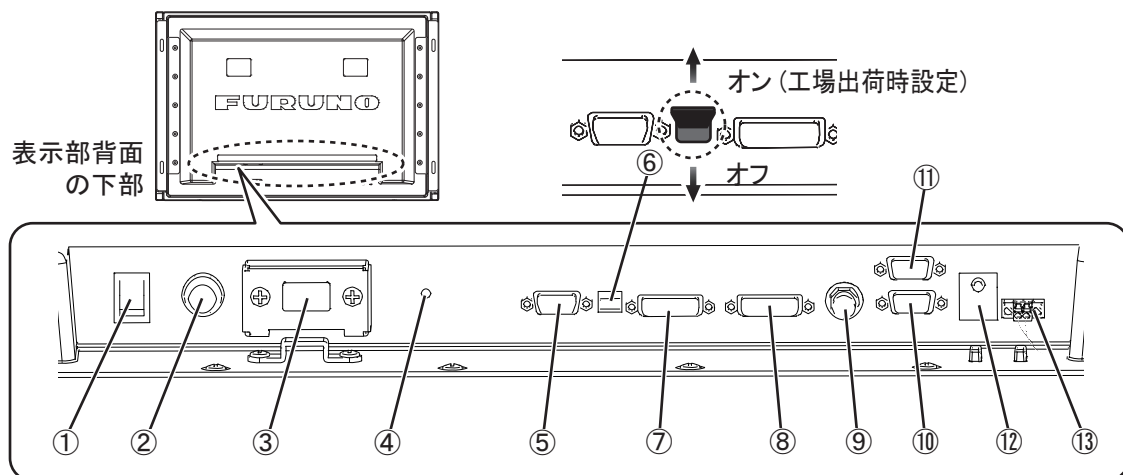
1. 1.6 節の手順 1 ~ 手順 5 を行います。
2. 1.3 節の手順 3 ~ 手順 10 を行います。

1.8 結線

本節および巻末の相互結線図を参照して、ケーブルを接続してください。

1.8.1 コネクタ / スイッチ

コネクタやスイッチは表示器背面の下部にあります。次の表と図の番号を照合してケーブルを接続します。



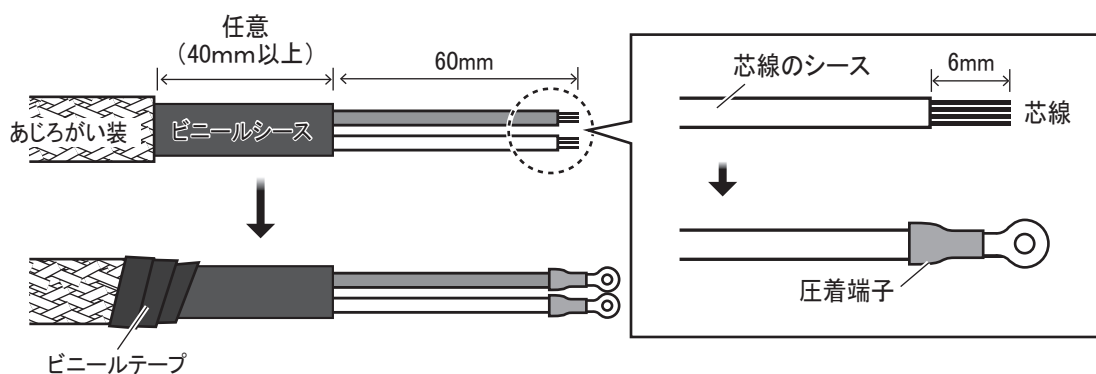
番号	名称	接続先	使用ケーブル	備考
①	電源 スイッチ	—	—	—
②	ヒューズ	—	—	—
③	TB1	船内電源 (AC100-230 V)	DPYC-1.5 (現地手配)	1.8.2 項「ケーブル端末処理および固定方法」を参照。
④	アース 端子	—	IV-1.25 sq (現地手配)	表示器側は内径 φ4 の圧着端子を使用します。できる限り短い線で船体に接地します。
⑤	J2	RGB 信号	3COX-2P-6C, 5/10 m (オプション)	—
⑥	スライド スイッチ	—	—	RGB 信号、または DVI 信号と RGB 信号の両方を接続する場合は、スライドスイッチの設定をオフにしてください。 <ul style="list-style-type: none"> • オン：外部機器から本機のオン/オフを切り替えることができます。 • オフ：RGB 信号、または DVI 信号と RGB 信号の両方を接続する場合は、必ずオフに設定してください。
⑦	J3 (DVI-D1)	デジタル信号 (DVI-D)	DVI-D/D S-LINK 5 m (MU-270W-A 仕様のみ工材に含まれる)	FMD-3xxx, FAR-3xxx, FAR-2xx8 シリーズ, CD-3x00, KQ-900 用
⑧	J4 (DVI-D2)			

番号	名称	接続先	使用ケーブル	備考
⑨	J5	ビデオ信号	コンポジット信号ケーブル (最大 10m、現地手配)	—
⑩	J7 (RS-232C/485-1)	RS-232C/485 信号	DSUB9P-X2, 5 m (制御部の標準またはオプションに含まれる)	FMD-3xxx, FAR-3xxx, FAR-2xx8 シリーズ, CD-3x00, KQ-900 用
⑪	J9 (RS-232C/485-2)			
⑫	J6	外部機器	USB ケーブル (最大 5m、現地手配)	輝度信号受信専用。束線バンドを使ってケーブルをしっかりと固定してください。 注 1) PC や輝度信号を送信する以外の機器とは接続しないでください。 注 2) ケーブルを接続しない場合は、ポートに貼られているシールをはがさないでください。
⑬	J8	スイッチボックス (現地手配)	TTYCS-1 (現地手配)	1.8.2 項「ケーブル端末処理および固定方法」を参照。

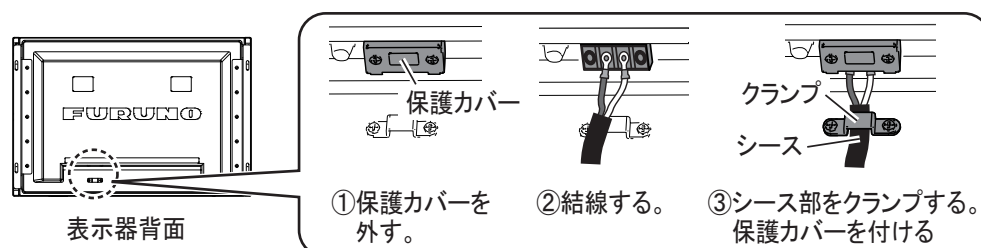
1.8.2 ケーブル端末処理および固定方法

DPYC-1.5 (電源ケーブル用)

1. 下図のようにケーブル端末を処理して、圧着端子 (工材 CP26-02101 内) を取り付けます。

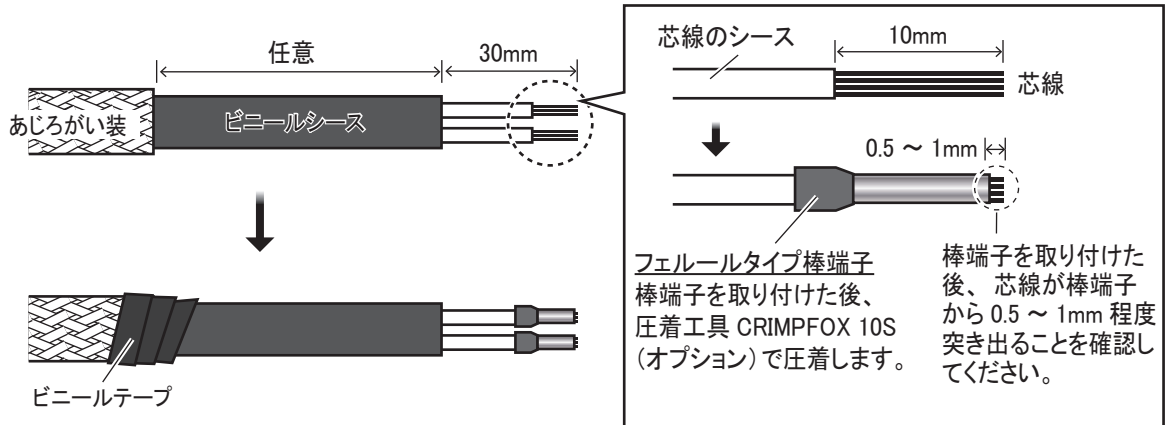


2. 表示部の TB1 コネクタ部の保護カバーを外し、ケーブルを接続します。ケーブルのシース部をケーブルクランプで固定します。

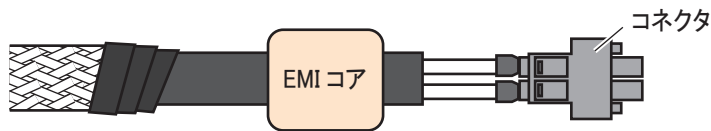


TTYCS-1 (スイッチボックス接続用)

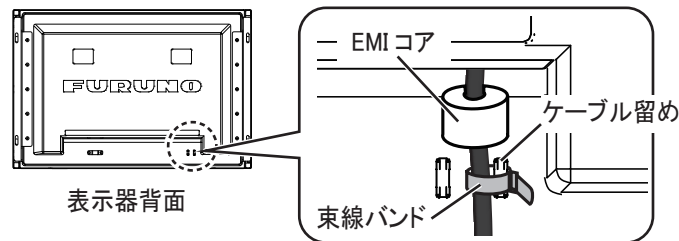
1. 下図のようにケーブル末端を処理します。ケーブルの芯線部には、フェルール棒端子 (工材 CP26-02101 内) を取り付けます。



2. 表示部の J8 コネクタに取り付けられているコネクタ (FMC1.5/2-STF-3.5 MARK) を外して、ケーブルに取り付けます。その後、EMI コア (工材 CP26-02101 内) もケーブルに取り付けます。



3. 表示部の J8 コネクタに手順 2 のケーブル組品のコネクタを差込み、マイナスドライバで締め付けます。
4. MI コアの位置をできるだけ J8 コネクタの方に移動させ、束線バンド (工材 CP26-02101 内) を使ってケーブルをしっかりと固定します。



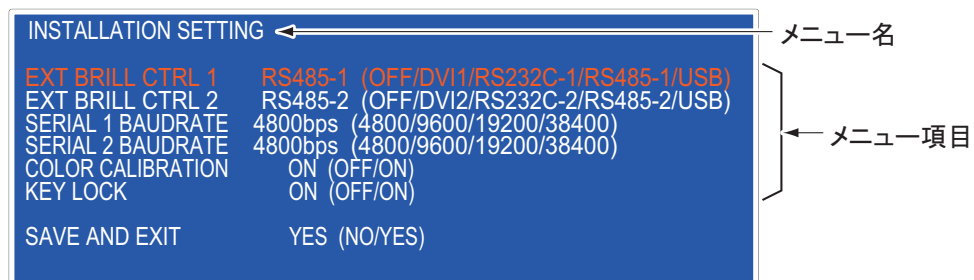
2章 装備後の調整

本機に接続している機器に応じて、画面の各種設定を行います。

注) 2.2 節～ 2.4 節は汎用モニターとして使用する場合に設定します。

2.1 装備設定

装備完了後、最初に電源を入れたときのみ、[INSTALLATION SETTING] メニューが表示されます。



FMD-3xxx、FAR-3xxx、FAR-2xx8 シリーズ、CD-3x00 または KQ-900 用のモニターとして本機を使用する場合は、全項目デフォルト値でお使いいただけますので、設定を変更する必要はありません。

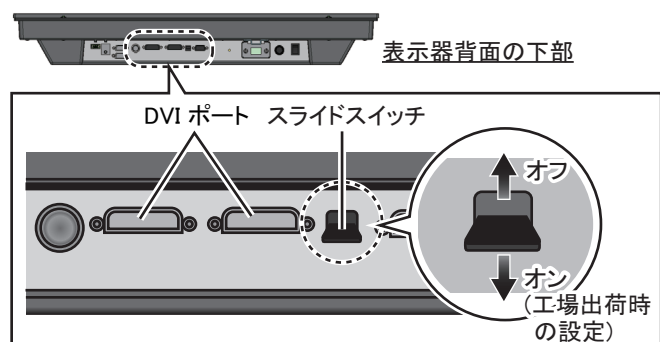
接続機種	接続ユニット	EXT BRILL CTRL 1/2	SERIAL 1/2 BAUDRATE	COLOR CALIBRATION	KEY LOCK	DVI PWR SYNC*2
FMD-3xxx, FAR-3xxx, CD-3x00 KQ-900	制御部	RS485-1/ RS485-2	4800bps	ON	ON	ON
FAR-2xx8		DVI *1	—	OFF	ON	ON

*1: 制御部と接続する場合は、必ず本機の DVI-D1 ポートに映像信号ケーブルを接続してください。また、本機の画面に表示する入力信号は DVI1 を選択してください (3.4 節参照)。

*2: DVI PWR SYNC は、表示部背面下部のスライドスイッチです。下記の「スライドスイッチの設定」を参照してください。

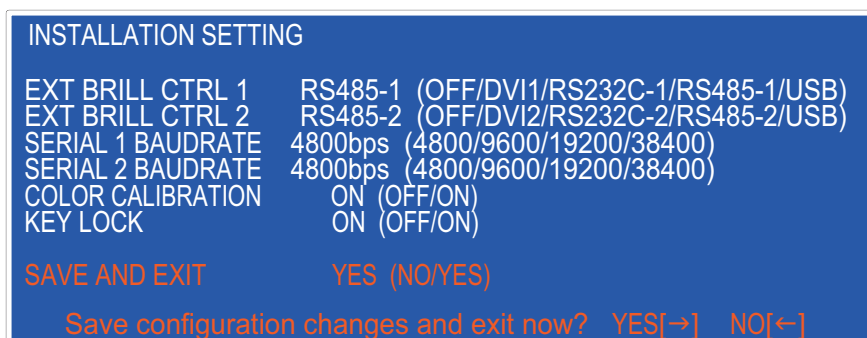
スライドスイッチの設定

RGB 信号、または DVI 信号と RGB 信号の両方を接続する場合は、表示器背面の下側にある電源連動スライドスイッチを「オフ」に設定してください。工場出荷時は、DVI 信号接続用として「オン」に設定されているため、表示器の電源キーでは電源のオン/オフができません。



2章 装備後の調整

1. [INSTALLATION SETTING] メニューが表示されている状態で、表示器前面の ▲ または ▼ キーを押して、変更するメニュー項目を選びます。
カーソル（橙色）は、現在選んでいる項目を示します。
2. ◀ または ▶ キーを押して、設定内容を変更します。
3. すべての設定が完了したら、▼ キーを押して [SAVE AND EXIT] を選びます。
確認メッセージが表示されます。



4. ▶ キーを押します。
設定が完了し、メニューが消えます。
注) 設定完了を中止する場合は、◀ キーを押してください。表示が [YES] から [NO] に変わり、▲ キーを使ってカーソルを上上の項目へ移動することができます。

[INSTALLATION SETTING] メニューの説明

メニュー項目	説明	設定範囲
[EXT BRILL CTRL1]	DVI1/RGB/VIDEO 画面の輝度制御方式を選ぶ。 [OFF]：外部機器からの輝度調整をしない。DVI1/RGB/VIDEO 画面の輝度を [☺/BRILL] キーで調整する。 [DVI1]：DVI1 画面を表示している場合、DVI-D1 ポートに接続している機器から輝度を調整する。(RGB/VIDEO 画面では [☺/BRILL] キーで調整する。) [RS232C-1]：DVI1/RGB/VIDEO 画面の輝度を、RS-232C/485-1 ポート (J7) からの RS-232C 信号で調整する。 [RS485-1]：DVI1/RGB/VIDEO 画面の輝度を、RS-232C/485-1 ポート (J7) からの RS-485 信号で調整する。 [USB]：使用しません。	[OFF], [DVI1], [RS232C-1], [RS485-1], [USB]
[EXT BRILL CTRL2]	DVI2 画面の輝度制御方式を選ぶ。 [OFF]：外部機器からの輝度調整をしない。DVI2 画面の輝度を [☺/BRILL] キーで調整する。 [DVI2]：DVI2 画面の輝度を、DVI-D2 ポートに接続している機器から輝度を調整する。 [RS232C-2]：DVI2 画面の輝度を、RS-232C/485-2 ポート (J9) からの RS-232C 信号で調整する。 [RS485-2]：DVI2 画面の輝度を、RS-232C/485-2 ポート (J9) からの RS-485 信号で調整する。 [USB]：使用しません。	[OFF], [DVI2], [RS232C-2], [RS485-2], [USB]

メニュー項目	説明	設定範囲
[SERIAL 1 BAUDRATE]	RS-232C/485-1 ポート (J7) のシリアル通信速度を選ぶ。 注) [EXT BRILL CTRL 1] を [RS232C-1]、または [RS485-1] に設定しているときのみ操作が可能。	[4800bps], [9600bps], [19200bps], [38400bps]
[SERIAL 2 BAUDRATE]	RS-232C/485-2 ポート (J9) のシリアル通信速度を選ぶ。 注) [EXT BRILL CTRL 2] を [RS232C-2]、または [RS485-2] に設定しているときのみ操作が可能。	[4800bps], [9600bps], [19200bps], [38400bps]
[COLOR CALIBRATION]	色度調整された補正データを使用するかしないかを選ぶ。 [OFF] : 補正データを使用しない。 [ON] : 色度調整された補正データを使用する。	[OFF], [ON]
[KEY LOCK]	キーロックをするかしないかを選ぶ。(3.2.2 項参照) [OFF] : キーロックをしない。 [ON] : キーロックをする。	[OFF], [ON]
[SAVE AND EXIT]	各項目の設定を保存するかしないかを選ぶ。 [NO] : 設定を保存しない。 [YES] : 設定を保存する。	[NO], [YES]

[INSTALLATION SETTING] メニューの開き方

いったん表示器の電源を切ります。[DISP] キーを押しながら、[☺/BRILL] キーを押して、表示器の電源を入れます。[DISP] キーは [INSTALLATION SETTING] メニューが表示されるまで押し続けてください。

注) スライドスイッチの設定がオンのときは、外部機器の電源を入れて表示部を起動させます。その後、[☺/BRILL] キーを 13 秒以上押し続けて、いったん表示器の電源を切ります。表示器の電源が切れている状態で、[DISP] キーを押します。[☺/BRILL] キーを離すと表示器の電源が自動的に入りますので、[INSTALLATION SETTING] メニューが表示されるまで、[DISP] キーを押し続けてください。

2.2 RGB、DVI 画面の設定 (汎用モニター用)

RGB、DVI-D1、DVI-D2 の各ポートに接続した機器の映像を個別に調整します。各機器の電源を入れて映像を表示したあとに、次の調整を行います。

1. 入力信号ウィンドウで調整する画面を選びます (3.4 節参照)。

- 1) [DISP] キーを押します。
- 2) ▲ または ▼ キーを押して、[RGB]、[DVI1] または [DVI2] のいずれかを選びます。

2. [MENU] キーを押して、メニューを表示します。

1 分間キー操作を行わなければ、自動的にメニューは消えます。

3. ◀ または ▶ キーを押して、[RGB]、[DVI1] または [DVI2] のいずれかを選びます。

カーソル (橙色) は、現在選んでいる項目を示します。選んだメニュー名に応じて、メニュー項目が変わります。[DVI1] と [DVI2] メニューの項目はすべて同じです。

注) 入力信号がない場合はメニュー名がグレー表示になり、設定を変更できません。

RGB	DVI1	DVI2	VIDEO	OSD	SYSTEM	メニュー名	RGB	DVI1	DVI2	VIDEO	OSD	SYSTEM
H_SIZE		1920				メニュー項目	BRIGHTNESS		128	(1~256)		
V_SIZE		1200					CONTRAST		32	(1~64)		
PHASE		16	(1~32)				H_POSITION		25	(1~50)		
BRIGHTNESS		128	(1~256)				V_POSITION		20	(1~40)		
CONTRAST		32	(1~64)				R_LEVEL		128	(1~256)		
H_POSITION		50	(1~99)				G_LEVEL		128	(1~256)		
V_POSITION		20	(1~40)				B_LEVEL		128	(1~256)		
R_LEVEL		128	(1~256)				TEMPERATURE		7000K	(5000K~9300K)		
G_LEVEL		128	(1~256)				B_STRETCH		OFF	(OFF, 1~10)		
B_LEVEL		128	(1~256)				W_STRETCH		OFF	(OFF, 1~10)		
TEMPERATURE	7000K		(5000K~9300K)				DISP MODE		FULL	(FULL/NORMAL)		
B_STRETCH	OFF		(OFF, 1~10)				SHARPNESS		1	(1~10)		
W_STRETCH	OFF		(OFF, 1~10)									
DISP MODE	FULL		(FULL/NORMAL)									
SHARPNESS	5		(1~10)									

[DVI] メニュー

[RGB] メニュー

4. ▲ または ▼ キーを押して、変更するメニュー項目を選びます。
5. ◀ または ▶ キーを押して、設定内容を変更します。
6. [MENU] キーを押して、メニューを閉じます。

[RGB]、[DVI1/2] メニューの説明

メニュー項目	説明	設定範囲
[H_SIZE] ([RGB]メニューのみ)	画面の横幅を調整する。 ◀ (狭まる)、▶ (広がる)	入力信号による
[V_SIZE] ([RGB]メニューのみ)	画面の縦幅を調整する。 ◀ (狭まる)、▶ (広がる)	
[PHASE]** ([RGB]メニューのみ)	入力信号をサンプリングするタイミングを調整する。 数値を変更して文字等を見やすくする。	1 ~ 32
[BRIGHTNESS]	赤、緑、青色のレベルを同時に調整する。	1 ~ 256
[CONTRAST]	コントラストを調整する。 ◀ (暗い)、▶ (明るい)	1 ~ 64
[H_POSITION]	画面位置を左右方向に調整する。 ◀ (左に移動)、▶ (右に移動)	1 ~ 99 ([RGB])、 1 ~ 50 ([DVI1]、 [DVI2])
[V_POSITION]	画面位置を上下方向に調整する。 ◀ (上に移動)、▶ (下に移動)	1 ~ 40
[R_LEVEL]	赤色のレベルを調整する。 ◀ (弱い)、▶ (強い)	1 ~ 256
[G_LEVEL]	緑色のレベルを調整する。 ◀ (弱い)、▶ (強い)	1 ~ 256
[B_LEVEL]	青色のレベルを調整する。 ◀ (弱い)、▶ (強い)	1 ~ 256
[TEMPERATURE]	色温度を調整する。 ◀ (赤色レベルが強い)、▶ (青色レベルが強い)	5000 ~ 9300K (100 段階ごと)
[B STRETCH]	黒に近い色をより黒くする。 [OFF] (標準)、◀ (弱い)、▶ (強い)	[OFF]、1 ~ 10
[W STRETCH]	白に近い色をより白くする。 [OFF] (標準)、◀ (弱い)、▶ (強い)	[OFF]、1 ~ 10

メニュー項目	説明	設定範囲
[DISP MODE]*	入力画像の表示方法を選ぶ。 [FULL]：入力画像を表示器の画面に合わせて表示 [NORMAL]：入力画像の縦横比を保持して表示	[FULL]、 [NORMAL]
[SHARPNESS]**	水平方向のエッジを強調する。 ◀（文字や線が鈍くなる）、▶（文字や線が鋭くなる）	1～10

*：WUXGA 解像度以外の信号を入力すると、表示器の縦横比と異なるため、正円（真円）が楕円に表示されます。このような場合は、[DISP MODE] の設定を [NORMAL] にしてください。画面の左右が黒く切れますが、故障ではありません。

**：文字がぼやけているときは、[PHASE] と [SHARPNESS] を調整してください。

2.3 VIDEO 画面の設定（汎用モニター用）

VIDEO ポートに接続した機器の映像を調整します。VIDEO の入力信号は、ピクチャーインピクチャー（PIP）ウィンドウにも表示されます（3.5 節参照）。

1. 入力信号ウィンドウで調整する画面を選びます。
2. [MENU] キーを押して、メニューを表示します。
3. ◀または▶キーを押して、[VIDEO] を選びます。

RGB	DVI1	DVI2	VIDEO	OSD	SYSTEM
PIP_SIZE		5	(1~10)		
CONTRAST		32	(1~64)		
R_LEVEL		128	(1~256)		
G_LEVEL		128	(1~256)		
B_LEVEL		128	(1~256)		
TEMPERATURE		7000K	(5000K~9300K)		
B_STRETCH		OFF	(OFF, 1~10)		
W_STRETCH		OFF	(OFF, 1~10)		

4. ▲または▼キーを押して、変更するメニュー項目を選びます。
5. ◀または▶キーを押して、設定内容を変更します。
6. [MENU] キーを押して、メニューを閉じます。

[VIDEO] メニューの説明

メニュー項目	説明	設定範囲
[PIP_SIZE]	PIP ウィンドウのサイズを調整する（PIP ウィンドウが表示されているとき調整可能）。	1（63mm x 43mm）～ 10（351mm x 240mm）
[CONTRAST]	コントラストを調整する。 ◀（暗い）、▶（明るい）	1～64
[R_LEVEL]	赤色のレベルを調整する。 ◀（弱い）、▶（強い）	1～256
[G_LEVEL]	緑色のレベルを調整する。 ◀（弱い）、▶（強い）	1～256

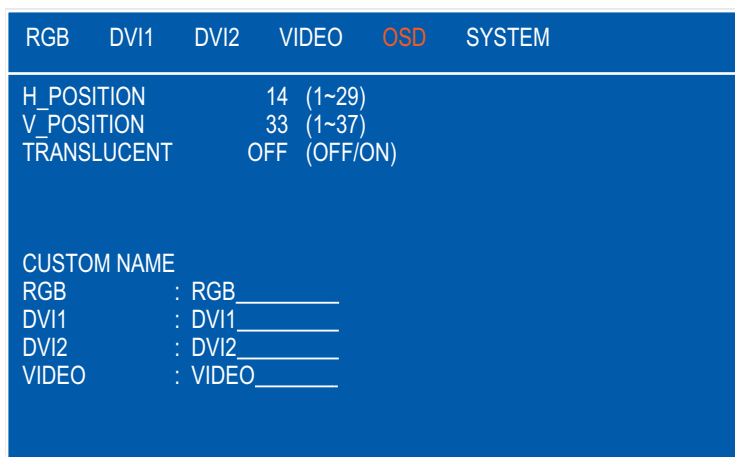
メニュー項目	説明	設定範囲
[B_LEVEL]	青色のレベルを調整する。 ◀ (弱い)、▶ (強い)	1 ~ 256
[TEMPERATURE]	色温度を調整する。 ◀ (赤色レベルが強い)、▶ (青色レベルが強い)	5000 ~ 9300K (100段階ごと)
[B STRETCH]	黒に近い色をより黒くする。 [OFF] (標準)、◀ (弱い)、▶ (強い)	[OFF]、1 ~ 10
[W STRETCH]	白に近い色をより白くする。 [OFF] (標準)、◀ (弱い)、▶ (強い)	[OFF]、1 ~ 10

2.4 メニュー表示の設定 (汎用モニター用)

2.4.1 メニュー表示画面を調整する

メニューの表示位置や表示方法を設定します。

1. [MENU] キーを押して、メニューを表示します。
2. ◀ または ▶ キーを押して、[OSD] を選びます。



3. ▲ または ▼ キーを押して、変更するメニュー項目を選びます。
4. ◀ または ▶ キーを押して、設定内容を変更します。
5. [MENU] キーを押して、メニューを閉じます。

[OSD] メニューの説明

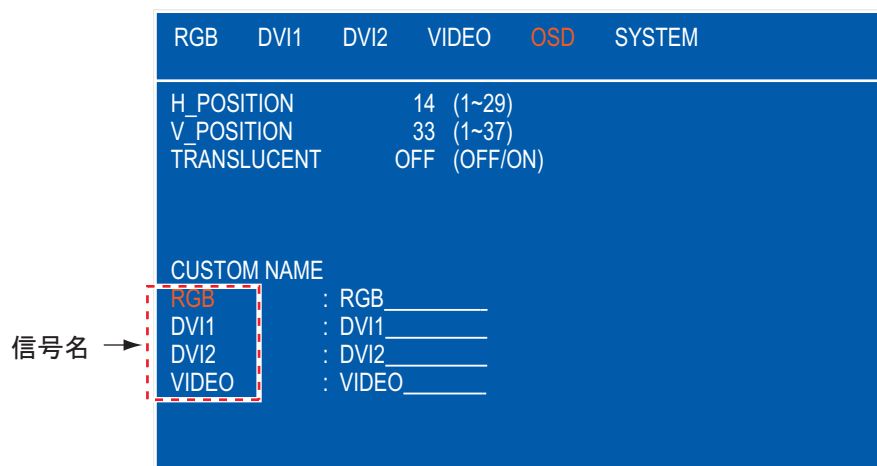
メニュー項目	説明	設定範囲
[H_POSITION]	メニューの表示位置を左右方向に調整する。 ◀ (左に移動)、▶ (右に移動)	1 ~ 29
[V_POSITION]	メニューの表示位置を上下方向に調整する。 ◀ (上に移動)、▶ (下に移動)	1 ~ 37
[TRANSLUCENT]	メニューの背景色 (青色) を透過させる。 [OFF] : 背景色が青色 [ON] : 背景色を透過 注) 透過処理はアルファブレンド技術を使用しています。	[OFF]、[ON]
[CUSTOM NAME]	2.4.2 項を参照	

2.4.2 信号名を変更する

[RGB]、[DVI1/2]、[VIDEO]の入力信号名を、装置の名前など、わかりやすい名前に変更できます。変更した名前は、入力信号ウィンドウ、および画面切替え時に画面右上に表示される画面名に反映されます（3.4節参照）。

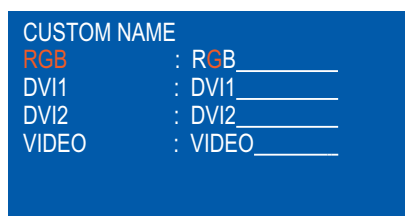
1. [MENU] キーを押して、メニューを表示します。
2. ◀または▶キーを押して、[OSD] を選びます。
3. ▲または▼キーを押して、変更する信号名を選びます。

下図の例では、[RGB] が選ばれています。



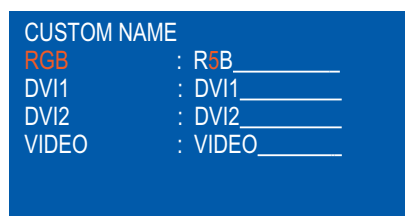
4. ▶キーを押して、変更する文字を選びます。

下図の例では [G] が選ばれています。



5. 必要な文字が表示されるまで、▲または▼キーを押します。

下図の例では [5] が設定されています。最大 10 文字の名前を設定できます。使用できる文字は、「A～Z」、「0～9」、「-」、「.」、「スペース」です。



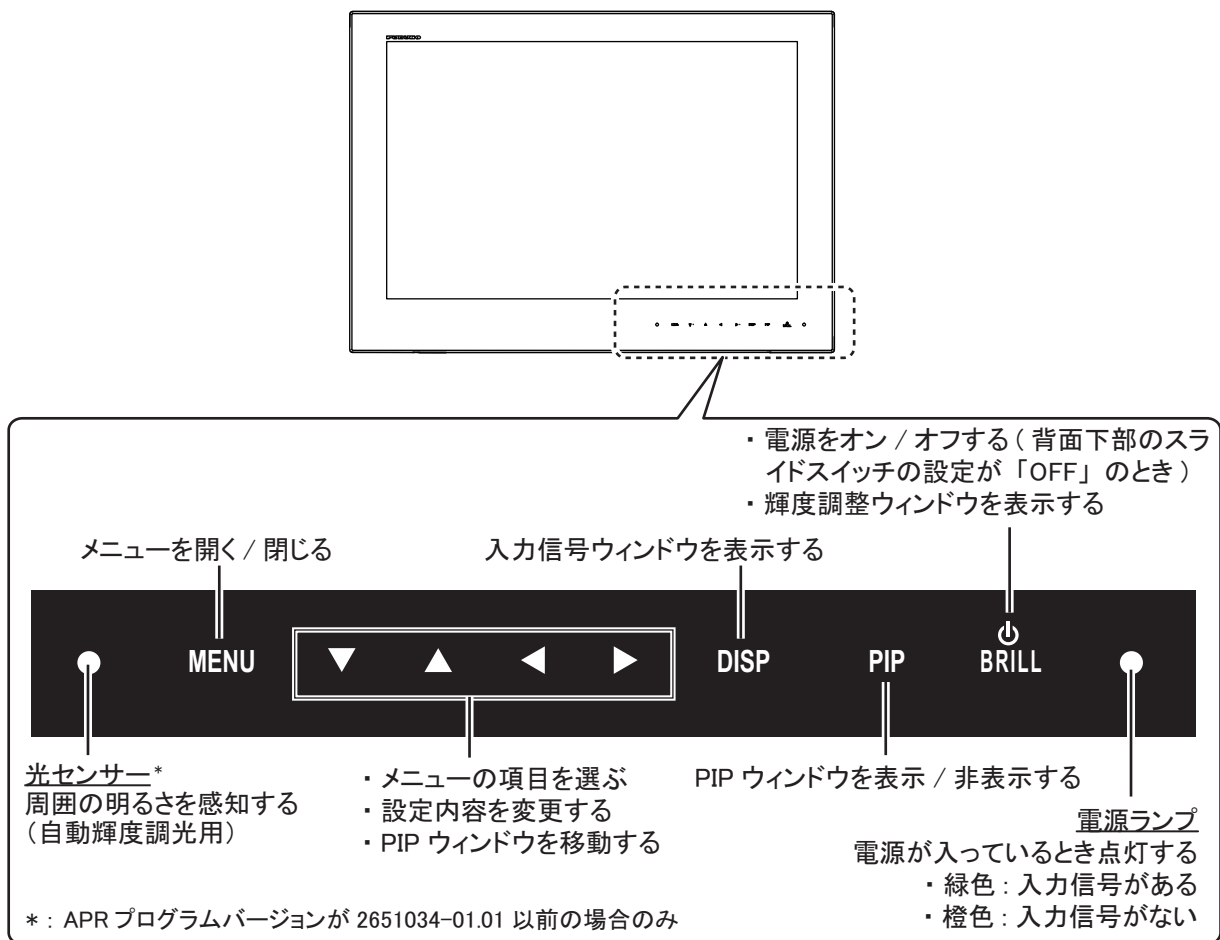
6. 続けて他の信号名を変更する場合は、◀キーを数回押してカーソルを信号名まで戻してから、手順 3～5 の操作を繰り返します。
7. [MENU] キーを押して、メニューを閉じます。

3章 操作

注) FMD-3xxx、FAR-3xxx、FAR-2xx8 シリーズ、CD-3x00、KQ-900 の表示器として使用する
場合、それらの操作部からのみ電源のオン/オフと輝度の調整を行うことができます (2.1
節参照)。

3.1 操作パネルの説明

本機の前面パネルには、タッチキーがあります。本機は、画面にタッチして操作します。



電源ランプ用 LED とキー照明用 LED の明るさは、表示部の明るさに連動します。また、FMD-3xxx、FAR-3xxx、FAR-2xx8 シリーズ、CD-3x00、KQ-900 と接続している場合、接続している機器のモードや色調 (Day (昼)、Dusk (夕)、Night (夜)) に応じて明るさが連動します。上記以外の機器と接続している場合、操作は本機のキーで行います。本機のキー照明用 LED が暗いときは、別途照明 (現地手配) が必要になる場合があります。

タッチ操作における注意点

- 画面に大量の水がかかると、本機が正しく動作しない場合があります。また、画面に水滴がついた状態で操作すると、タッチの反応が鈍くなります。画面の水滴を拭き取って使用してください。

- 本機は静電式タッチパネルを使用しています。指先で画面に直接タッチしてください。針、ペン、爪などの先のとがったものやスタイラスペンでは操作しないでください。また、画面を引っかかないようにしてください。
- 手袋をしたまま画面をタッチすると、正しく動作しない場合があります。
- 画面上に物を乗せた状態で操作しないでください。画面に指先以外のものが触れていると、正しく動作しない場合があります。
- 無線機のアンテナ、蛍光灯、電磁弁、その他の電子機器のそばに本機を近づけないでください。ノイズにより、正しく操作しない場合があります。
- 画面はガラスでできています。ガラスにひびが入るなど破損した場合は、画面に触れたり、お客様自身で修理を行わないでください。お客様のお取り扱い不良による破損は、保証の対象外です。

3.2 電源のオン/オフ

3.2.1 電源をオン/オフする

電源をオン/オフする方法は、表示器背面下側のスライドスイッチの設定によって異なります（装備時に設定済み：1.8 節参照）。

注) 周囲の温度が低いときは、画面の動きが鈍くなります。

スライドスイッチの設定が「ON」のとき

DVI-D1 ポートまたは DVI-D2 ポートに接続している外部機器の電源スイッチに連動して、表示器の電源がオン/オフされます（操作方法については、外部機器の取扱説明書を参照）。

注 1) 表示器の [☉/BRILL] キーで電源を入れることはできません。

注 2) DVI-D1 ポートと DVI-D2 ポートの両方に外部機器を接続している場合、2 台の外部機器の電源を切らないと表示器はオフになりません。

スライドスイッチの設定が「OFF」のとき

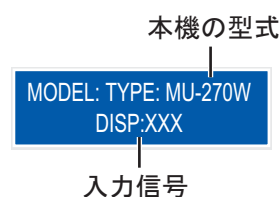
1. 表示器の [☉/BRILL] キーを押して、電源を入れます。
2. 電源を切るときは、表示器の [☉/BRILL] キーを 3 秒間押し続けます。
キーを押している間、右のようなメッセージが画面中央に表示されます。



SHUT DOWN
This monitor will shut down in three seconds.

入力信号の表示

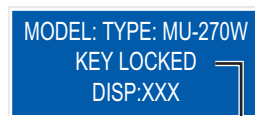
表示器の電源投入後、その時点の入力信号名が画面右上に 5 秒間表示されます。工場出荷設定の信号は「DVI1」です。信号入力がない場合は、「NO SIGNAL」（信号入力なし）と表示されます。



本機の型式
MODEL: TYPE: MU-270W
DISP:XXX
入力信号

3.2.2 キーロックを解除する

工場出荷設定では、表示器のキーはロックされています。キーロック中にいずれかのキーを押すと、キーロック中であることを表す表示が画面右上に5秒間表示されます。キーロックを解除すると、すべてのメニュー操作が可能になります。



キーロック中

1. 表示器の電源を切ります。
2. [PIP] キーを押しながら [⏻/BRILL] キーを押して、表示器の電源を入れます。[PIP] キーは5秒以上押し続けてください。
キーロックが解除されます。
注) スライドスイッチの設定が「ON」のとき、[PIP] キーを押しながら外部機器の電源を入れてください。
3. キーをロックするには、いったん電源を切ります。次にもう一度 [PIP] キーを押しながら電源を入れます。

本項でのキーロックと解除の設定は、[INSTALLATION SETTING] メニューの [KEY LOCK] の設定と連動しています (15 ページ参照)。

3.3 輝度の調整

画面の輝度を調整します。

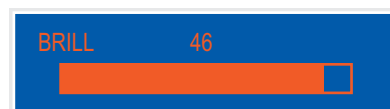
注) 下記の手順で輝度調整が可能となるのは、次の設定の場合のみです。

[AUTO DIMMER] ^{*1} の設定	[EXT BRILL CTRL 1] ^{*2} の設定	[EXT BRILL CTRL 2] ^{*2} の設定	輝度調整できる画面
[OFF]	[OFF]	-	DVI1/RGB/VIDEO 画面
	[DVI1]	-	RGB/VIDEO 画面
	-	[OFF]	DVI2 画面

^{*1} : APR プログラムバージョン : 2651034-01.01 以前の場合のみ。3.6.1 項参照。

^{*2} : 2.1 節参照

1. [⏻/BRILL] キーを短く押して、輝度調整ウィンドウを表示します。
5秒間キー操作を行わないと、ウィンドウは消えます。
2. ◀または▶ キーを押して、輝度を調整します (設定範囲 : 1 ~ 50、工場出荷設定 : 50)。
3. ▲または▼ キーを押して、ウィンドウを閉じます。



注) 輝度を最小に設定した状態で電源を切った場合、次回電源を入れたときに周囲の明るさによって、接続している機器からの警告表示が見えづらいことがあります。このような場合、接続している機器に応じて、下記の操作を行ってください。

- FMD-3xxx、FAR-3xxx、FAR-2xx8 シリーズ、CD-3x00、KQ-900 と接続：画面輝度は接続している外部機器からのみ調整できます。詳細は各機器の取扱説明書を参照してください。
- 上記以外の機器と接続（汎用モニターとして使用）：[☼/BRILL] キーを何回か押してください。

3.4 画面全体に表示する入力信号の選択

画面全体に表示する入力信号を選びます。

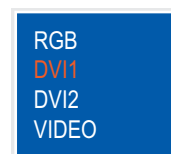
注 1) 入力信号が WUXGA 解像度ではなく、文字がぼやけているときは、[PHASE] と [SHARPNESS] を調整してください（17 ページ参照）。

注 2) ビデオ信号が VESA 方式でないとき、画像は表示されません。

1. [DISP] キーを押して、入力信号ウィンドウを表示します。

ウィンドウ内には、2.4.2 項で設定した信号名が表示されます。5 秒間キー操作を行わなければ、自動的にウィンドウは消えます。

注) [DVI SELECTOR] の設定が [AUTO] または [EXTERNAL] のとき、[DISP] キーは使用できません（3.6.2 項参照）。



2. ▲ または ▼ キーを押して、入力信号を選びます。

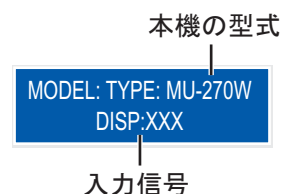
[RGB]: RGB ポートからの入力信号を表示する。

[DVI1]、[DVI2]: 選んでいる DVI ポートからの入力信号を表示する。

[VIDEO]: VIDEO ポートからの入力信号を表示する。

3. ◀ または ▶ キーを押して、ウィンドウを閉じます。

ウィンドウが消えたあと、手順 2 で選んだ信号名が画面の右上に 5 秒間表示されます。入力信号がない場合は、“NO SIGNAL” と表示されます。



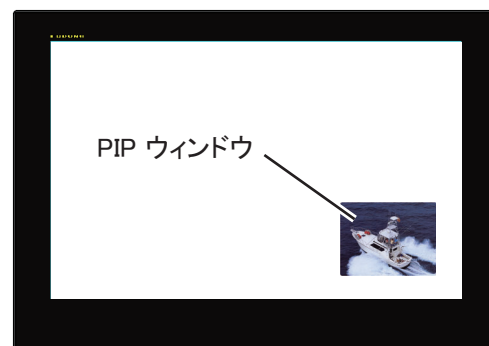
3.5 PIP ウィンドウの表示

RGB、DVI1、または DVI2 画面上に、VIDEO ポートから取り込んだ画像を表示することができます。

1. RGB、DVI1、または DVI2 画面が表示されているときに、[PIP] キーを押します。

画面上に PIP ウィンドウが表示されます。PIP ウィンドウを非表示にするには、もう一度 [PIP] キーを押します。

2. PIP ウィンドウの表示位置を移動する場合は、メニューが表示されていないときに矢印キーを押します。



注) PIP ウィンドウのサイズは、[VIDEO] メニューで調整します（2.3 節参照）。

3.6 システムメニュー

輝度および初期化に関する設定は、[SYSTEM] メニューで行います。また、[SYSTEM] メニューで各種の情報を確認できます。

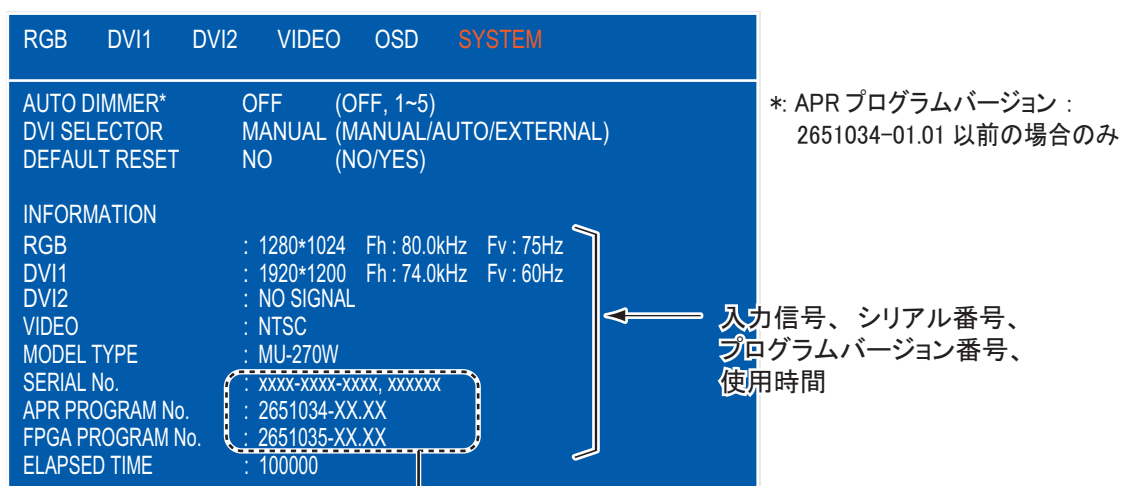
3.6.1 自動輝度調光機能をオン/オフする

自動輝度調光機能をオンにすると、周囲の明るさに応じて、画面の輝度が自動的に調整されます。また、輝度を調整する周期を選ぶことができます。

注 1) この機能は APR プログラムバージョン : 2651034-01.01 以前の場合のみ有効です。

注 2) 表示器前面にある光センサーの前に物を置かないでください。明るさを感知できなくなります。

1. [MENU] キーを押して、メニューを表示します。
2. ▶ キーを押して、[SYSTEM] を選びます。



特定の番号が表示

3. ▲ または ▼ キーを押して、[AUTO DIMMER] を選びます。
4. ◀ または ▶ キーを押して、次のいずれかを選びます。

- [OFF] : 自動輝度調光機能をオフ
- [1] : 2 秒周期で輝度を調整
- [2] : 30 秒周期で輝度を調整
- [3] : 1 分周期で輝度を調整
- [4] : 3 分周期で輝度を調整
- [5] : 5 分周期で輝度を調整

注 1) FMD-3xxx、FAR-3xxx、FAR-2xx8 シリーズ、CD-3x00、KQ-900 と接続している場合、[OFF] に設定してください。

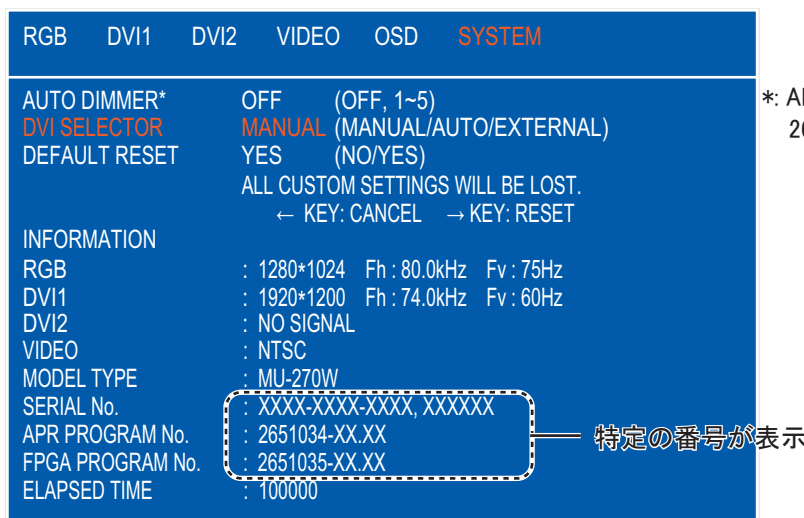
注 2) [AUTO DIMMER] の設定は、[INSTALLTION MENU] の [EXT BRILL CTRL 1/2] の設定 (2.1 節参照) より優先されます。

5. [メニュー] キーを押してメニューを閉じます。

3.6.2 画面の DVI 入力信号を切り替える

画面の DVI 入力信号を 3 つの方法 (手動、自動、スイッチボックス) で切り替えることができます。スイッチボックスは現地手配となります。

1. [MENU] キーを押して、メニューを表示します。
2. ▶ キーを押して、[SYSTEM] を選びます。
3. ▲ または ▼ キーを押して、[DVI SELECTOR] を選びます。
4. ◀ または ▶ キーを押して、次のいずれかを選びます。

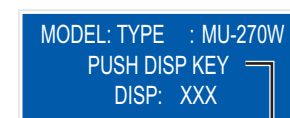


*: APR プログラムバージョン :
2651034-01.01 以前の場合のみ

- [MANUAL]: [DISP] キーを押して、画面を切り替えます (3.4 節参照)。
- [AUTO]: DVII1 信号を優先して表示します。DVII1 信号が入力されない場合は、DVII2 信号に切り替わります。その後、DVII1 信号が入力されたとき、DVII1 信号に切り替わります。画面が自動で切り替わるたびに、現在の入力信号が画面右上に 5 秒間表示されます。[DISP] キーを押すことで表示を消去することができます。入力信号がない場合は、“NO SIGNAL” と表示されます。

注) キーロック中でも表示を消去するための [DISP] キー操作は有効です。

表示を消去するとき以外に、[DISP] キーを押すと、[DVI SELECTOR] が [AUTO] の設定である表示が画面右上に 5 秒間現れます。



[DISP] キーを押すと表示消去



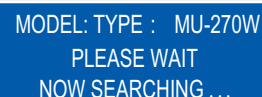
- [EXTERNAL]: スイッチボックス (現地手配) が装備されているとき有効です。スイッチボックスが「ON」のときは DVII1 の信号を、「OFF」のときは DVII2 の信号が入力されます。ON/OFF を操作したり、[DISP] キーを押して入力信号が切り替わったときは、その時の入力信号が画面右上に 5 秒間表示されます。入力信号がない場合は、“NO SIGNAL” と表示されます。



入力信号

注 1) [AUTO] または [EXTERNAL] を選択した場合、[DISP] キーによる入力信号の切替はできません。また RGB および VIDEO 信号の入力もできません。

注 2) 信号が入力されない場合は、自動的に他の信号を検出し始めます。その場合、検出中である表示 (“PLEASE WAIT NOW SEARCHING...”) が画面右上に表れます。

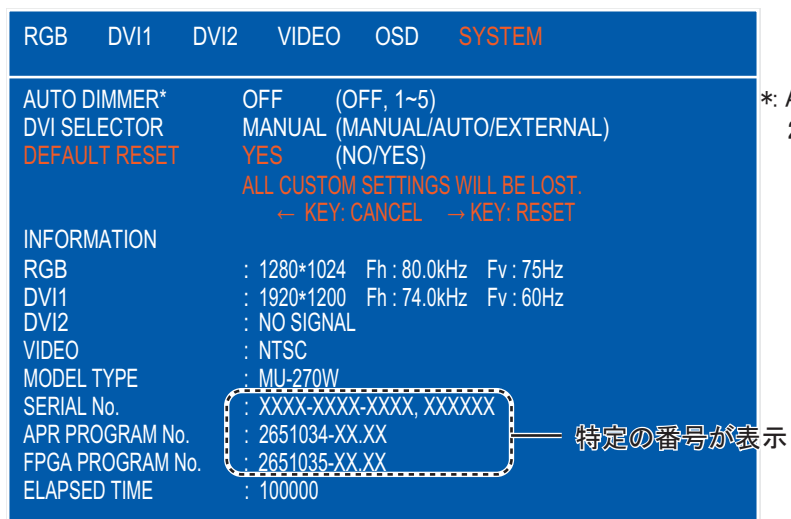


3.6.3 設定を初期化する

この操作を行うと、設定値が工場出荷時の状態に戻ります。

1. [MENU] キーを押して、メニューを表示します。
2. ▶ キーを押して、[SYSTEM] を選びます。
3. ▲ または ▼ キーを押して、[DEFAULT RESET] を選びます。
4. ▶ キーを押します。

表示が [NO] から [YES] に変わります。



注) 初期化を中止する場合は、◀ キーを押してください。表示が [YES] から [NO] に変わります。

5. ▶ キーを押して、[RESET] を選びます。

4章 保守点検

ご注意

塗料、防錆剤、接点復活剤などは有機溶剤を含んでいるので、機器の塗装部分や樹脂部品には使用しないでください。

機器の塗装部分や樹脂部品を劣化させることがあります。特に、樹脂のコネクタに使用すると破損する恐れがありますので絶対に使用しないでください。

4.1 保守点検

ふだんの保守点検

機器の性能を十分に発揮させるには、定期的な点検が必要です。定期的に次の項目を点検してください。

- 表示器背面のコネクタが確実に接続されているか確認します。
- アース端子に緩みや錆びがないか確認します。またアース線が確実に接地されているか確認します。
- 表示器にほこりや汚れがついていないか確認します。ほこりや汚れは、柔らかい乾いた布でふき取ってください。ひどい汚れは薄めた中性洗剤をしみ込ませた布でふいたあと、柔らかい布で空ぶきしてください。シンナーやアセトン、アルコール、ベンジンなどの有機溶剤を使用しないでください。操作パネルの文字などが溶ける場合があります。
- LCDの表面にほこりや汚れがついていないか確認します。LCDの表面は傷が付きやすいので、必ず支給のフィルタークリーナーでふいてください。泥や塩などがこびり付いている場合は、市販のOAディスプレイクリーナーをティッシュに多めに染み込ませて、泥や塩を溶かすようにゆっくりとふきます。泥や塩が付着したティッシュでふくと表面を傷付けますので、こまめにティッシュを取り替えながらふいてください。シンナーやアセトン、アルコール、ベンジンなどの有機溶剤は使用しないでください。また、市販の油膜取り、曇り止めも使用しないでください。画面（フィルター面）のコーティング剤が剥がれてしまいます。

ヒューズの交換

電源が入らない場合、ヒューズが切れている可能性があります。ヒューズは表示器背面にあります。規定のヒューズと交換してください。ヒューズを交換しても再び切れるときは、当社または当社代理店に連絡してください。



警告



ヒューズは規定のものを使用すること。
規定外のものを使った場合、重大な故障を引き起こす恐れがあります。

名称	型式	コード番号
ヒューズ	FGBO-A 250V 5A PBF	000-155-840-10

LCD 交換の目安

LCDの寿命時間は、約70,000時間です。実際の使用時間は、周囲の環境（温度、湿度）により変動します。寿命がくると、輝度が低くなります。

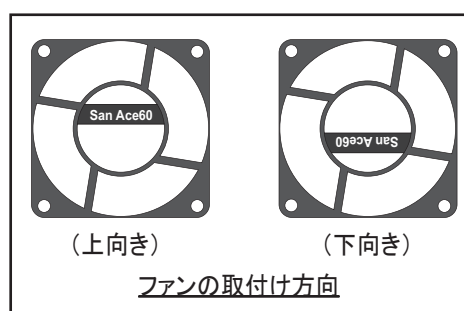
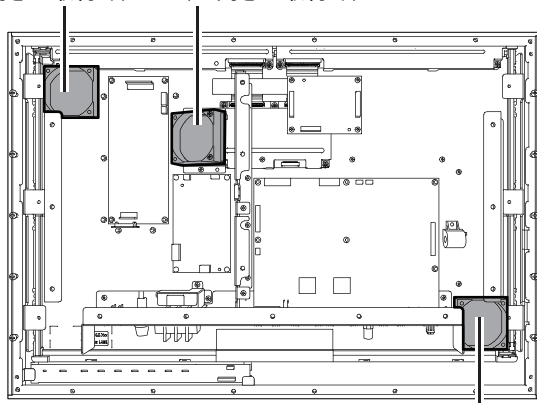
ファン交換の目安

各ファンの寿命時間は、下表のとおりです。実際の使用時間は、周囲の環境（温度）により変動します。寿命がきたら、“Fan replacement - contact your dealer.” というメッセージと共に、交換対象のファン番号が画面中央に表示されます（電源をオンして約 30 秒後に約 10 秒間表示）。電源を切り、当社または当社代理店にファンの交換を依頼してください。

注) 交換時には、下図（表示器背面の内部）を参照してファンの取付け向きに注意してください。

名称	寿命時間	型式	コード番号
ファン	約 60,000 時間	9GA0612L704	000-191-943-10

FAN1 (上向きに取付け) FAN2 (上向きに取付け)



FAN3 (下向きに取付け)

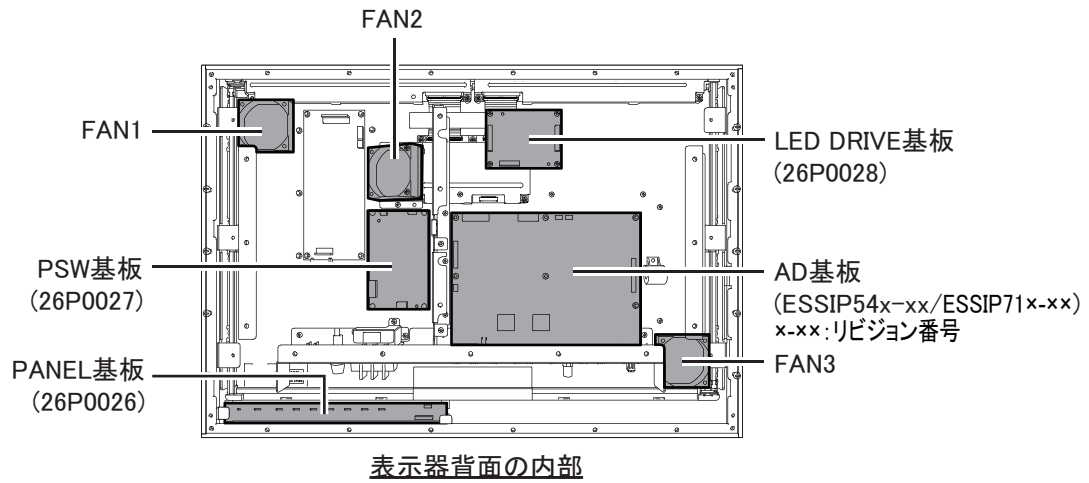
4.2 故障かなと思ったら

「故障かな」と思ったら、まず次の点検を行ってください。また、サービスマンを呼ぶときには、点検した事柄を詳しく報告していただくと、サービスが迅速になります。

症状	対処
電源が入らない。	<ul style="list-style-type: none"> 表示器背面の電源スイッチが入っているか確認する。 スライドスイッチの設定を確認する。 テスターで電圧を確認する。 ヒューズを交換する。 電源ケーブルを確実に接続する。
電源が切れない。	<ul style="list-style-type: none"> [/BRILL] キーを 8 秒間押し続ける。 スライドスイッチの設定が「ON」のときは、DVI 出力機器の電源スイッチをオフにする。
映像が表示されない。	<ul style="list-style-type: none"> ケーブルを確実に接続する。 [SYSTEM] メニューで入力信号の情報を確認する (3.6 節参照)。 [DISP] キーによる信号選択が正常に行われているか確認する (3.4 節参照)。 輝度が最小になっていないか確認する。

4.3 部品配置図と部品表

部品配置図



部品表

ELECTRICAL PARTS

ELECTRICAL PARTS		型式	MU-270W
		ユニット	表示器 MU-270W
PRINTED CIRCUIT BOARD		Code No.	
26P0026 (PANEL 基板)		-	
26P0027 (PSW 基板)		-	
ESSIP54x-xx/ESSIP71x-xx (AD 基板、x-xx : リビジョン番号)		-	
26P0028 (LED DRIVE 基板)		-	
LCD		Code No.	
LQ270M1LX01A		-	
FAN		Code No.	
9GA0612L704		-	

追補 1 略語リスト

	略語	用語	意味
A	AD	Analog-Digital	アナログ - デジタル
	APR	Application Program	アプリケーションプログラム
B	BRILL	Brilliance	輝度
C	CCD	Charge-Coupled Device	撮像素子
D	DISP	Display	画面
	DVD	Digital Versatile Disc	データ記録メディア
	DVI	Digital Visual Interface	液晶ディスプレイ用インターフェイス (デジタル信号)
E	ECDIS	Electronic Chart Display and Information System	電子海図情報表示装置
F	FAR	—	FURUNO 製レーダーの型式
	FMD	—	FURUNO 製 ECDIS の型式
	FPGA	Field-Programmable Gate Array	構成設定可能な集積回路
L	L	Left	左
	LCD	Liquid Crystal Display	液晶ディスプレイ
N	NTSC	National Television System Committee	全米テレビジョン放送方式標準化委員会 が策定したカラーコンポジット信号の規格
O	OSD	On-Screen Display	オンスクリーンディスプレイ
P	PAL	Phase Alternating Line	カラーコンポジット映像信号の規格
R	R	Right	右
	RGB	Red/Green/Blue	赤 / 緑 / 青
S	SOLAS	The International Convention for the Safety of Life at Sea	海上における人命の安全のための国際条約
	SVGA	Super Video Graphic Array	スーパービデオグラフィックアレイ (800×600)
U	USB	Universal Serial Bus	ユニバーサルシリアルバス
W	w/o	Without	含まない
	WUXGA	Wide Ultra Extended Graphics Array	UXGA 解像度のワイド (1920×1200)

表示部 MU-270W 仕様**1. 総合**

(1) 表示器	27 型カラーLCD
(2) 解像度	WUXGA (1920×1200 ピクセル)
(3) ピクセルピッチ	0.303 mm (垂直・水平)
(4) 最大輝度	400 cd/m ² typical
(5) コントラスト	1500 : 1 typical
(6) 視野角	85° (上下左右)
(7) 公称視認距離	1.02 m
(8) 入力信号	
RGB アナログ	1 ポート、ノンインターレース RGB 信号、0.7 V _{p-p} 、TTL レベル
DVI-D	2 ポート、DVI スタンダード、VESA DDC2B
ビデオ信号	1 ポート、NTSC/PAL 標準、ビデオ信号 : 0.7 V _{p-p} 、0.3 V
USB	1 ポート、USB1.1、12 Mbps (輝度調整用)
RS-232/485	2 ポート、EIA/TIA-232/485 (輝度調整用)
接点信号	1 ポート、+12V

2. 電源

AC100-230 V: 0.6-0.4 A、単相、50/60 Hz

3. 環境条件

(1) 使用温度範囲	-15°C～+55°C
(2) 相対湿度	93%以下 (+40°C)
(3) 保護等級	IP22
(4) 機器のカテゴリ	風雨からの防護形
(5) 振動	IEC60945 Ed. 4

4. ユニットカラー

N2.5

PACKING LIST

26AM-X-9851 -3 1/1

MU-270W-A , MU-270W-A-HK

A-1

NAME	UNIT	OUTLINE	DESCRIPTION/CODE No.	Q'TY
ユニット	UNIT			
表示部 MONITOR UNIT			MU-270W 000-029-938-00 **	1
予備品	SPARE PARTS			
予備品 SPARE PARTS			SP26-00801 001-468-150-00	1
付属品	ACCESSORIES			
付属品 ACCESSORIES			FP26-00401 001-175-940-00	1
工事材料	INSTALLATION MATERIALS			
ケーブル組品 CABLE ASSEMBLY			DVI-D/D S-LINK 5M 001-132-960-10	1
工事材料 INSTALLATION MATERIALS			CP26-02101 001-438-690-00	1
工事材料 INSTALLATION MATERIALS			CP26-02102 001-458-400-00	1
図書	DOCUMENT			
取扱説明書(和/英) OPERATOR'S MANUAL (JP/EN)			OMC-44930-* 000-191-662-1*	1
装備後の設定 POST INSTALLATION SETTING			C42-01514-* 000-191-664-1*	1 (*1)

1.(*)は、製品に貼付しています。
1.(*)1. ATTACHED TO THE EQUIPMENT.
2.コード番号末尾の[*]は、選択品の代表コードを表します。
2.CODE NUMBER ENDING WITH "*" INDICATES THE CODE NUMBER OF REPRESENTATIVE MATERIAL.

(略図の寸法は、参考値です。 DIMENSIONS IN DRAWING FOR REFERENCE ONLY.)

C4493-Z01-D

PACKING LIST

26AM-X-9852 -4 1/1

MU-270W-N , MU-270W-N-HK , MU-270W-MSA

A-2

NAME	UNIT	OUTLINE	DESCRIPTION/CODE No.	Q'TY
ユニット	UNIT			
表示部 MONITOR UNIT			MU-270W 000-029-938-00 **	1
予備品	SPARE PARTS			
予備品 SPARE PARTS			SP26-00801 001-468-150-00	1
付属品	ACCESSORIES			
付属品 ACCESSORIES			FP26-00401 001-175-940-00	1
工事材料	INSTALLATION MATERIALS			
工事材料 INSTALLATION MATERIALS			CP26-02101 001-438-690-00	1
工事材料 INSTALLATION MATERIALS			CP26-02102 001-458-400-00	1
図書	DOCUMENT			
取扱説明書(和/英) OPERATOR'S MANUAL (JP/EN)			OMC-44930-* 000-191-662-1*	1
装備後の設定 POST INSTALLATION SETTING			C42-01514-* 000-191-664-1*	1 (*1)

1.(*)は、製品に貼付しています。
1.(*)1. ATTACHED TO THE EQUIPMENT.
2.コード番号末尾の[*]は、選択品の代表コードを表します。
2.CODE NUMBER ENDING WITH "*" INDICATES THE CODE NUMBER OF REPRESENTATIVE MATERIAL.

(略図の寸法は、参考値です。 DIMENSIONS IN DRAWING FOR REFERENCE ONLY.)

C4493-Z02-E

FURUNO

CODE NO. 001-438-690-00 26AM-X-9401 -4
TYPE CP26-02101 1/1

A-3

番号 NO.	名称 NAME	略図 OUTLINE	型名/規格 DESCRIPTIONS	数量 Q'TY	用途/備考 REMARKS
1	フェリス(鉄)クリップ FERROSE CRIMPING TERMINAL		AI 0.75-10 GY CODE NO. 000-191-942-11	5	
2	EMIコア EMI CORE		GRFC-10 CODE NO. 000-177-018-10	1	
3	圧着端子 CRIMP-ON LUG		FV1.25-4(LF) RED K CODE NO. 000-166-666-11	2	
4	ケーブルタイ CABLE TIE		CV-125N CODE NO. 000-172-184-10	2	
5	セルフタッピングビス SELF-TAPPING SCREW		6X30 SUS304 CODE NO. 000-162-614-10	4	

(略図の寸法は、参考値です。 DIMENSIONS IN DRAWING FOR REFERENCE ONLY.)

FURUNO ELECTRIC CO., LTD.

C4493-M01-E

FURUNO

CODE NO. 001-458-400-00 26AM-X-9402 -0
TYPE CP26-02102 1/1

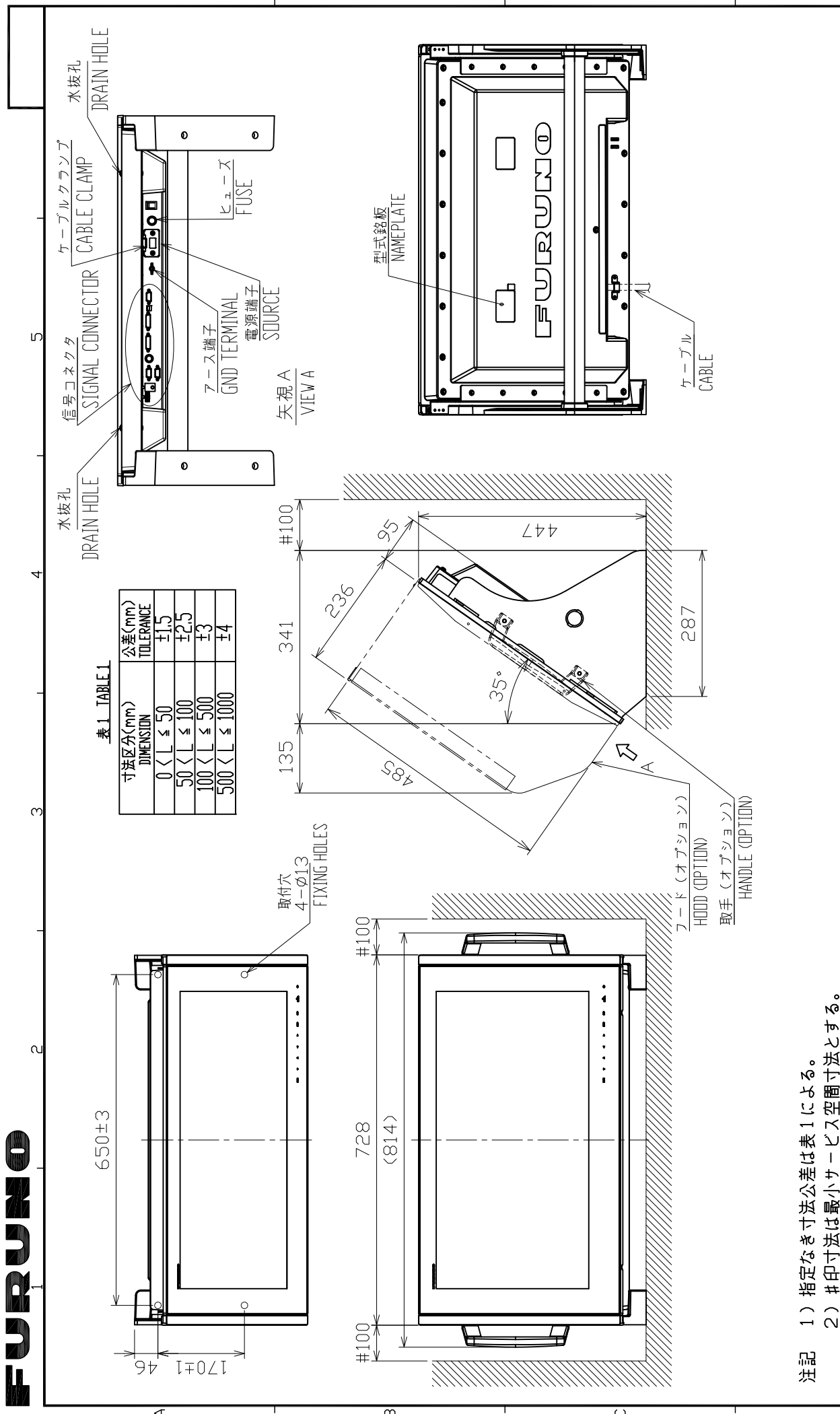
A-4

番号 NO.	名称 NAME	略図 OUTLINE	型名/規格 DESCRIPTIONS	数量 Q'TY	用途/備考 REMARKS
1	化粧パネル MASKING PANEL S		26-007-2118-2 CODE NO. 100-363-332-10	2	
2	パネルFガスケット PANEL F GASKET		26-008-1083-0 CODE NO. 100-407-388-10	2	
3	FマウントスポンジB F-MOUNT SPONGE B		26-009-1085-0 CODE NO. 100-407-370-10	2	

(略図の寸法は、参考値です。 DIMENSIONS IN DRAWING FOR REFERENCE ONLY.)

FURUNO ELECTRIC CO., LTD.

C4493-M02-A



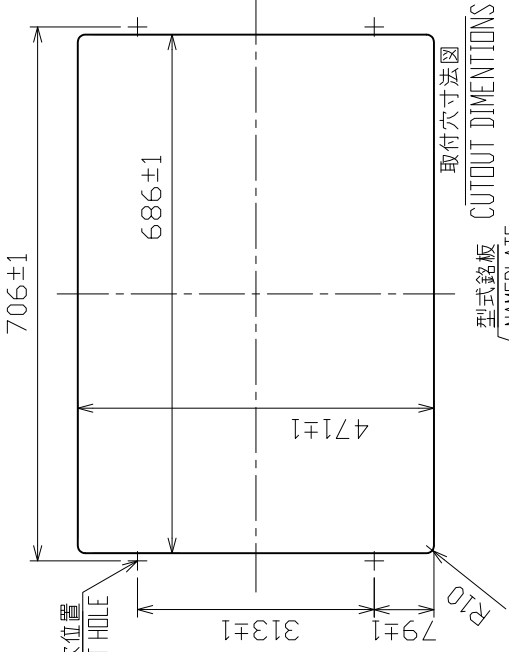
DRAWN	1/Nov/2022 S. HAN			TITLE	MU-270W
CHECKED	1/Nov/2022 T. YAMASAKI			名称	表示部 (卓上装備)
APPROVED	9/Nov/2022 H. MAKI				外寸図
SCALE	1/10	質量	21 kg	質量はケーブル・オプションを含まず。 MASS DOES NOT INCLUDE CABLE/OPTION	MONITOR UNIT (TABLETOP MOUNT)
FIG.No.	C4493-601-E	図番	26-009-120G-7		OUTLINE DRAWING

- 注記
- 1) 指定なき寸法公差は表1による。
 - 2) #印寸法は最小サービスクリアランスとする。
 - 3) 取付用ネジはM10ボルトまたはコーチボルト呼び径9を使用のこと。
- NOTE
1. TABLE 1 INDICATES TOLERANCE OF DIMENSIONS WHICH IS NOT SPECIFIED.
 2. #: MINIMUM SERVICE CLEARANCE.
 3. USE M10 BOLTS OR COACH SCREWS φ9 FOR FIXING THE UNIT.

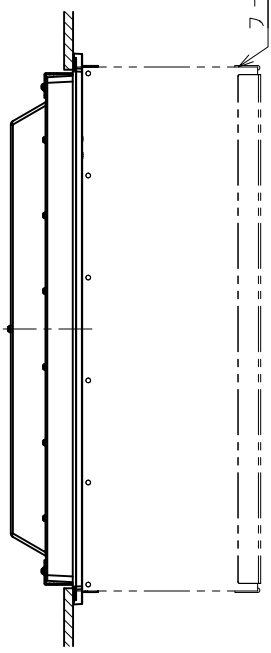
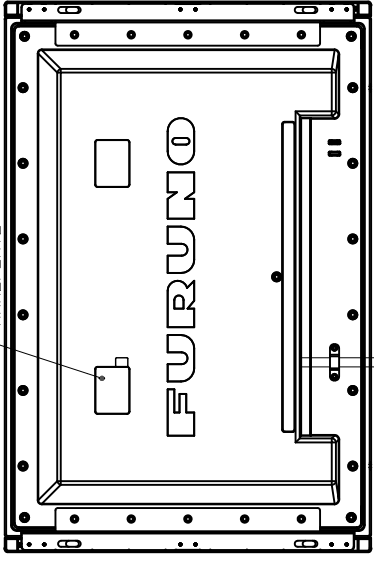
表 1 TABLE 1

寸法区分(mm) DIMENSION	公差(mm) TOLERANCE
0 < L ≤ 50	±1.5
50 < L ≤ 100	±2.5
100 < L ≤ 500	±3
500 < L ≤ 1000	±4

4-取付穴位置
PILOT HOLE



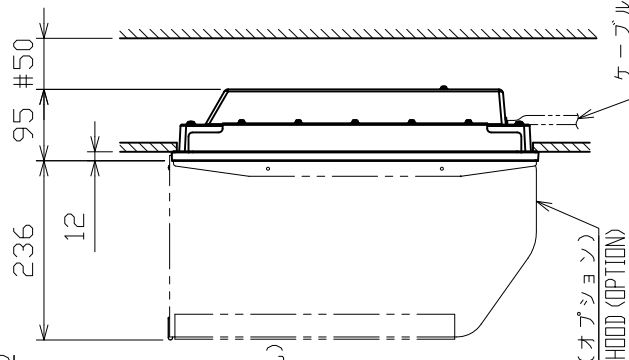
取付穴寸法図
CUTOUT DIMENSIONS
型式銘板
NAMEPLATE



フード (オプション)
HOOD (OPTION)

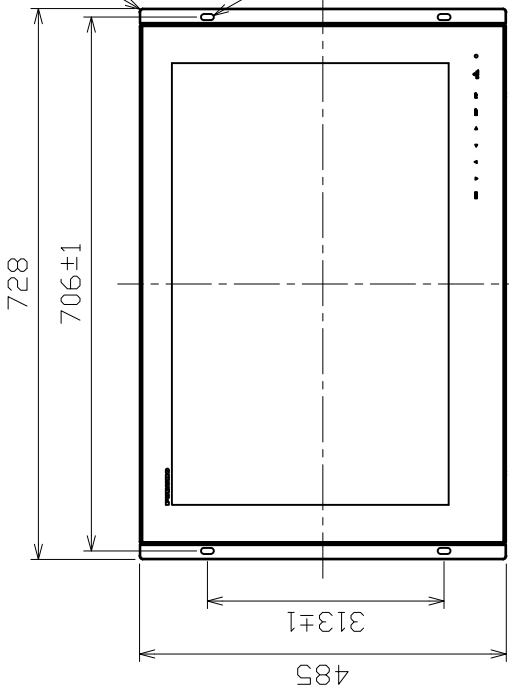
化粧パネル
COSMETIC PANEL

取付穴
4-φ8×17 (長丸)
FIXING HOLES
(OVAL HOLE)



フード (オプション)
HOOD (OPTION)

ケーブル
CABLE



ケーブルクランプ
CABLE CLAMP

水抜孔
DRAIN HOLE

水抜孔
DRAIN HOLE

ヒューズ
FUSE

ソース
SOURCE

信号コネクタ
SIGNAL CONNECTOR

アース端子
GND TERMINAL

電源端子
SOURCE

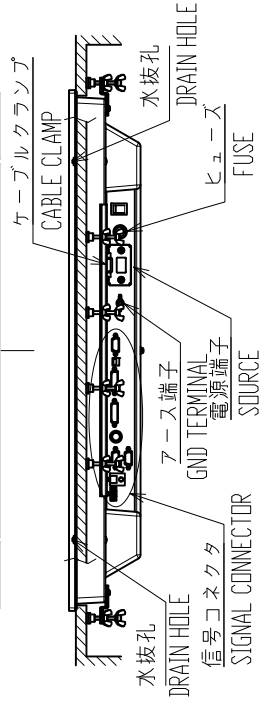
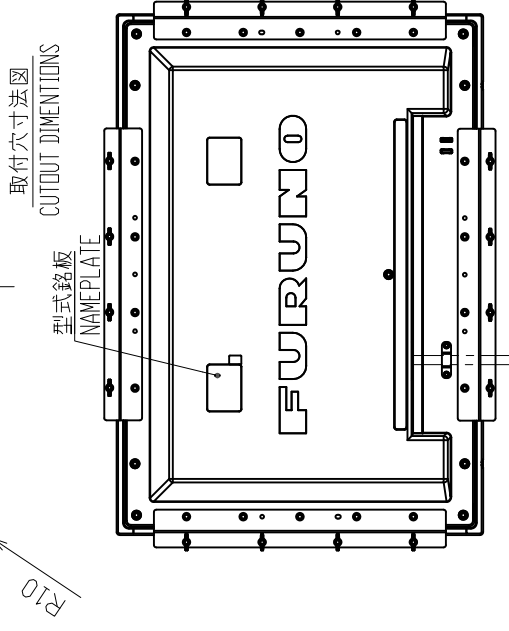
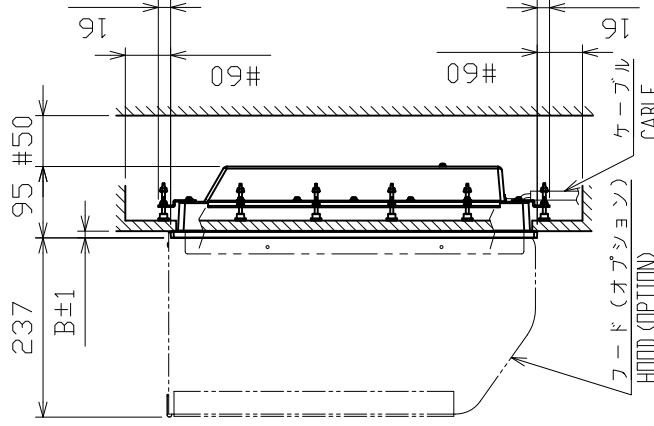
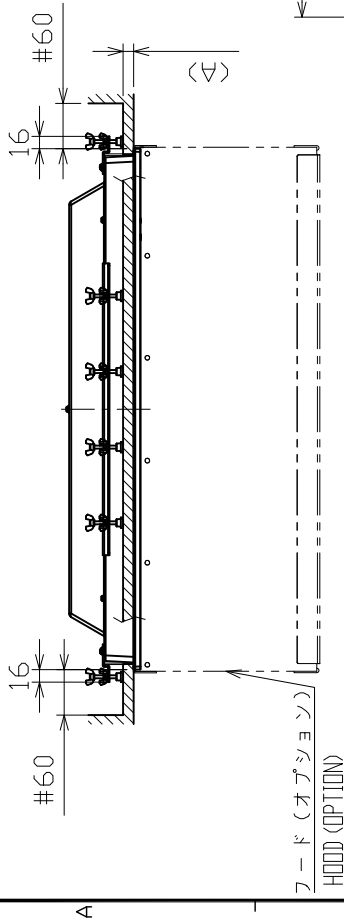
- NOTE 1. TABLE 1 INDICATES TOLERANCE OF DIMENSIONS WHICH IS NOT SPECIFIED.
2. # MINIMUM SERVICE CLEARANCE.
3. USE TAPPING SCREWS φ6×30 FOR FIXING THE UNIT.

DRAWN	1/Nov/2022	S. HAN	TITLE	MU-270W
CHECKED	1/Nov/2022	T. YAMASAKI	名称	表示部 (埋込装備F)
APPROVED	9/Nov/2022	H. MAKI	外寸図	
SCALE	1/10	1/3	標準はケーブル・オプションを含まず・仕様書にはケーブルオプションを含まず・仕様書にはケーブルオプションを含まず・仕様書にはケーブルオプションを含まず	MONITOR UNIT (FLUSH MOUNT F)
FIG.No.	C4493-602-E	26-009-100G-7	図名	OUTLINE DRAWING

- 注記 1) 指定外の寸法公差は表 1 による。
2) #印寸法は最小サービスマン間寸法とする。
3) 取付ネジはトラスターピンネジ呼び径6×30を使用のこと。

表 1. TABLE 1.

寸法区分(mm) DIMENSION	公差(mm) TOLERANCE
0 < L ≤ 50	±1.5
50 < L ≤ 100	±2.5
100 < L ≤ 500	±3
500 < L ≤ 1000	±4



NOTE 1. TABLE 1 INDICATES TOLERANCE OF DIMENSIONS WHICH IS NOT SPECIFIED, 表2 TABLE 2

2. # MINIMUM SERVICE CLEARANCE.

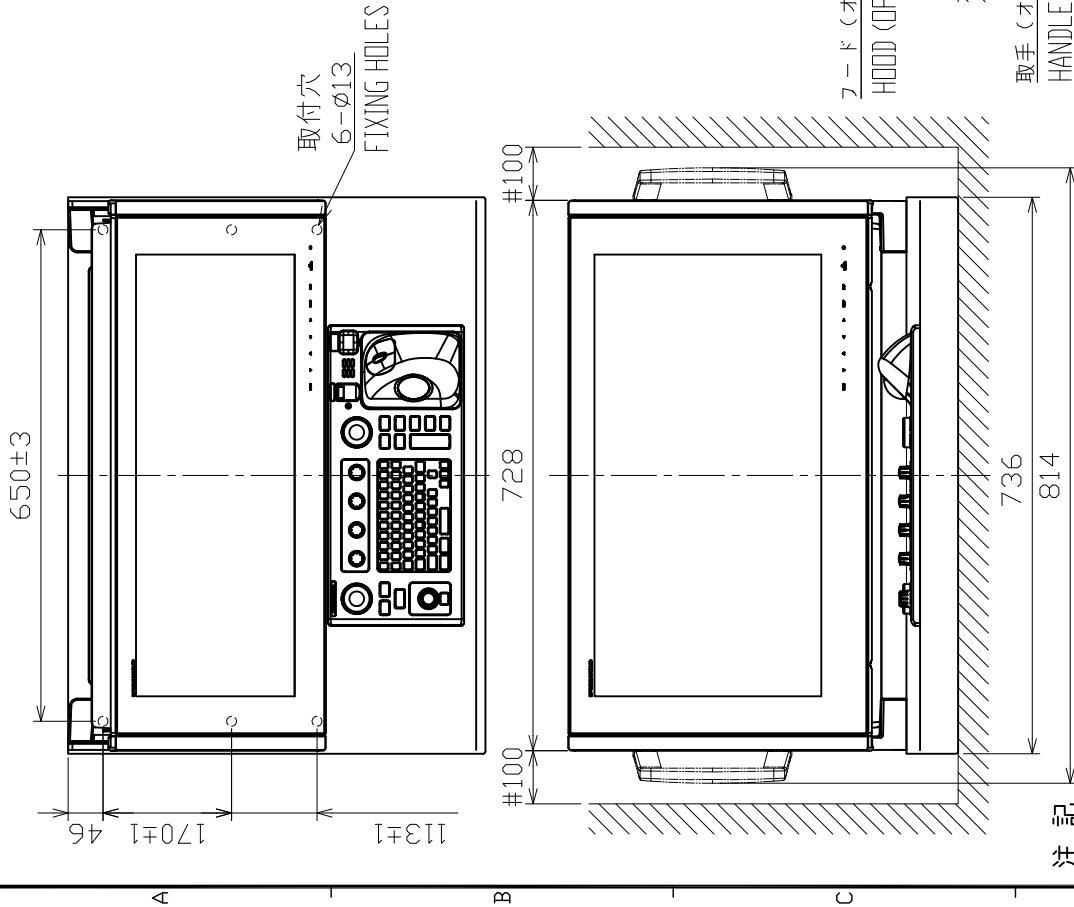
3. THICKNESS OF BULKHEAD (A): 10 ≤ A ≤ 20.

4. TABLE 2 INDICATES DIMENSIONS OF B AND D.

フーフ HOOD	B (mm)	D (mm)
なし NO	9	674
あり YES	11.5	678

- 注 記
- 1) 指定外の寸法公差は表 1 による。
 - 2) # 印寸法は最小サービスクリアランスとする。
 - 3) 壁の厚さ (A) は最小10、最大20とする。
 - 4) B, D寸法は表 2 による。

DRAWN	2/Nov/2022	S. HAN	TITLE	MU-270W	
CHECKED	1/Nov/2022	T. YAMASAKI	名称	表示部 (埋込装備 S)	
APPROVED	9/Nov/2022	H. MAKI	外寸図		
SCALE	1/10	1/3	仕様書はケーブル・オプションを含まず。 SPEC. DOES NOT INCLUDE CABLE/OPTION	NAME	MONITOR UNIT (FLUSH MOUNT S)
JWG No.	C4493-603-E	26-009-1105-7	REF. No.	OUTLINE DRAWING	



注記

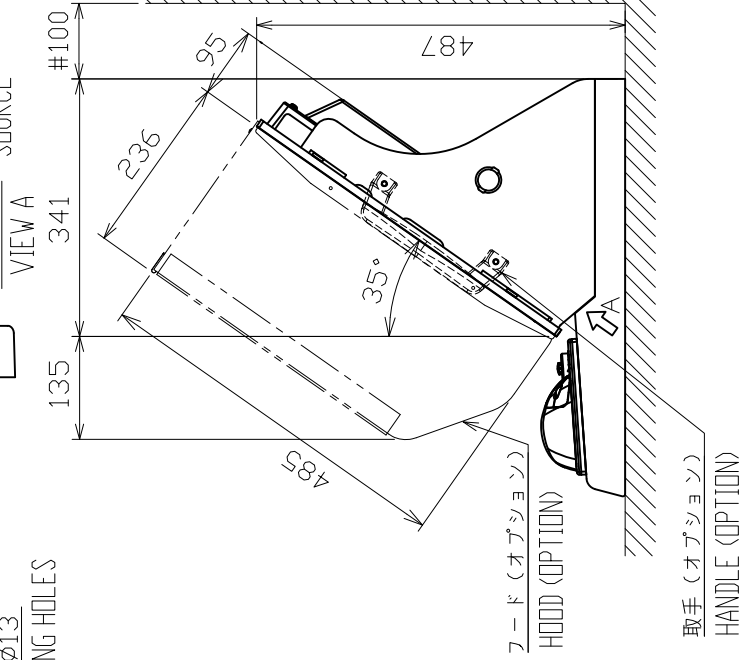
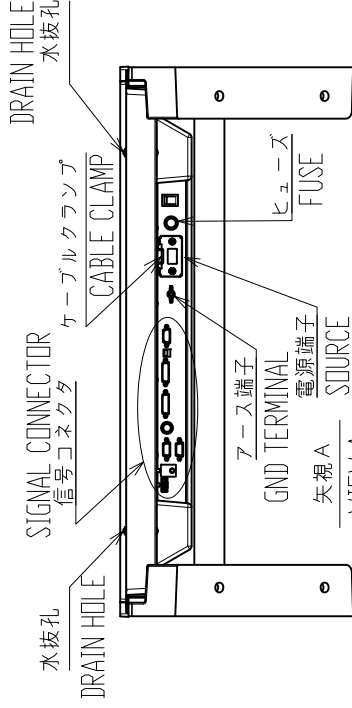
- 1) 指定外の寸法公差は表1による。
- 2) #印寸法は最小サービス空間寸法とする。
- 3) 取付用ネジはM10ボルトまたはコーチボルト呼び径9を使用のこと。

NOTE

1. TABLE 1 INDICATES TOLERANCE OF DIMENSIONS WHICH IS NOT SPECIFIED.
2. # MINIMUM SERVICE CLEARANCE.
3. USE M10 BOLTS OR COARCH SCREWS $\phi 9$ FOR FIXING THE UNIT.

表1 TABLE 1

寸法区分 (mm) DIMENSION	公差 (mm) TOLERANCE
$L \leq 50$	± 1.5
$50 < L \leq 100$	± 2.5
$100 < L \leq 500$	± 3
$500 < L \leq 1000$	± 4



DRAWN 1/Nov/2022 S. HAN	TITLE MU-270W
CHECKED 1/Nov/2022 T. YAMASAKI	名称 表示部 (連結台タイプ)
APPROVED 9/Nov/2022 H. MAKI	外寸図
SCALE 1/10 MASS 32	NAME 表示部ケーブル・オプションを含まず。 MASS DOES NOT INCLUDE CABLE/OPTION.
IMG.No. C4493-004-D	UNIT MONITOR UNIT (CONNECTION STAND TYPE)
	OUTLINE DRAWING
	REF.No. 26-009-130G-3

FURUNO

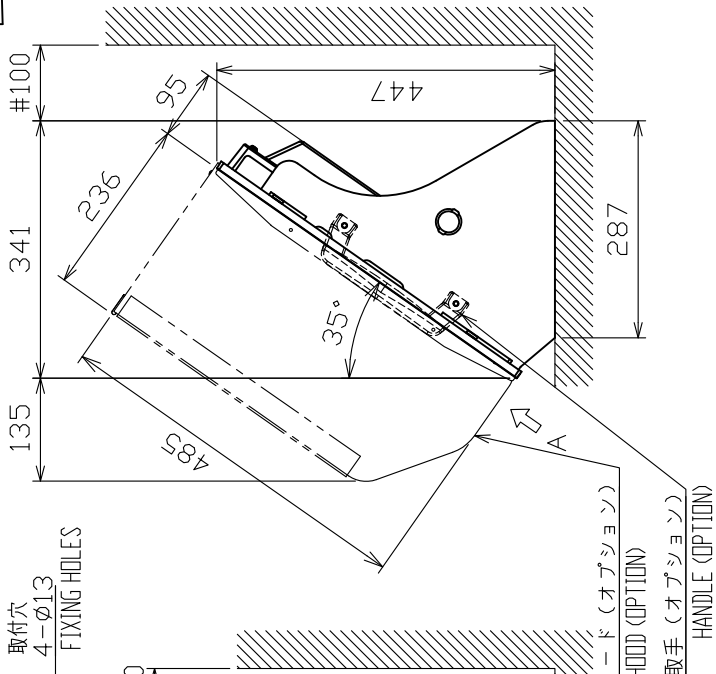
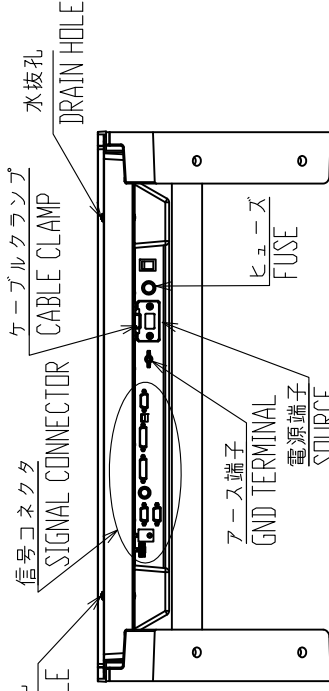
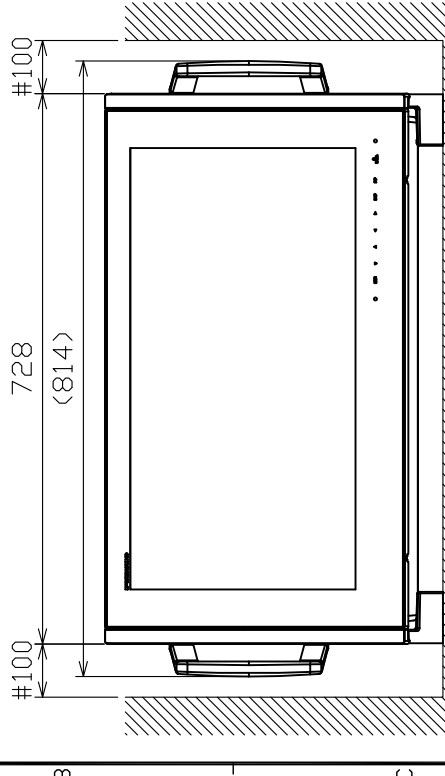
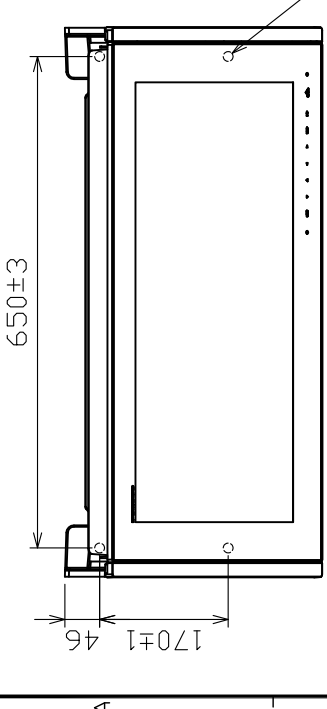


表1 TABLE 1

寸法区分 (mm) DIMENSION	公差 (mm) TOLERANCE
0 < L ≤ 50	±1.5
50 < L ≤ 100	±2.5
100 < L ≤ 500	±3
500 < L ≤ 1000	±4



- 注記
- 1) 指定なき寸法公差は表1による。
 - 2) #印寸法は最小サービスクリアランスとする。
 - 3) 取付用ネジはM10ボルトまたはコーチボルト呼び径9を使用のこと。
- NOTE
1. TABLE 1 INDICATES TOLERANCE OF DIMENSIONS WHICH IS NOT SPECIFIED.
 2. # MINIMUM SERVICE CLEARANCE.
 3. USE M10 BOLTS OR COACH SCREWS φ9 FOR FIXING THE UNIT.

DRAWN	31/Jan/2020	T. YAMASAKI	TITLE	MU-270W
CHECKED	31/Jan/2020	H. MAKI	名称	表示部 (卓上装備)
APPROVED	6/Feb/2020	H. MAKI	外寸図	
SCALE	1/10	100% #100	質量はケーブル・オプションを含みます。 MASS DOES NOT INCLUDE CABLE/OPTION	MONITOR UNIT (TABLETOP MOUNT)
FIG.No.	C4493-601-C	21	REF.No.	26-009-120G-5
				OUTLINE DRAWING

FURUNO ELECTRIC CO., LTD.

FURUNO

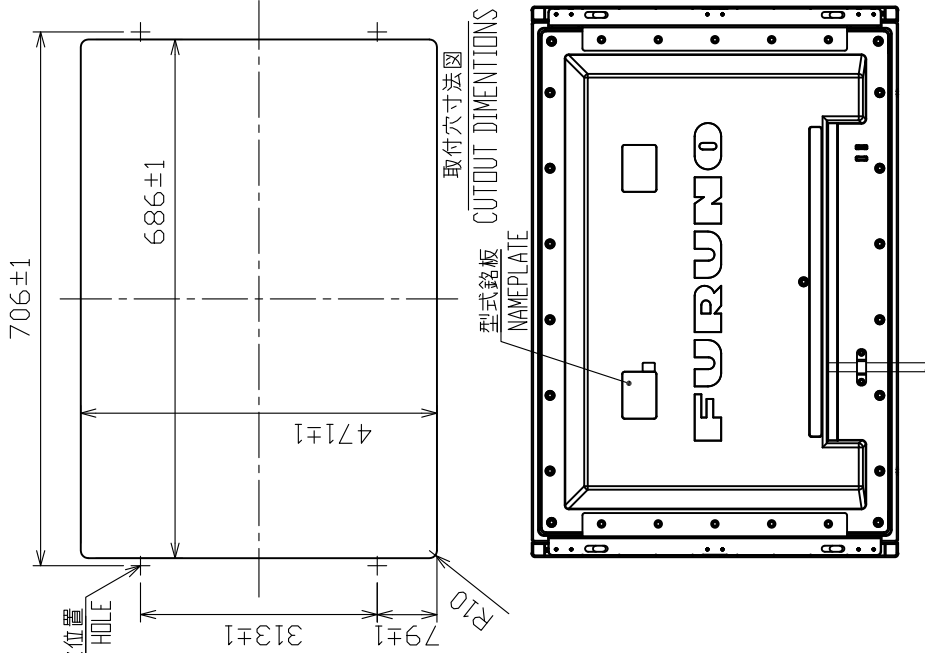
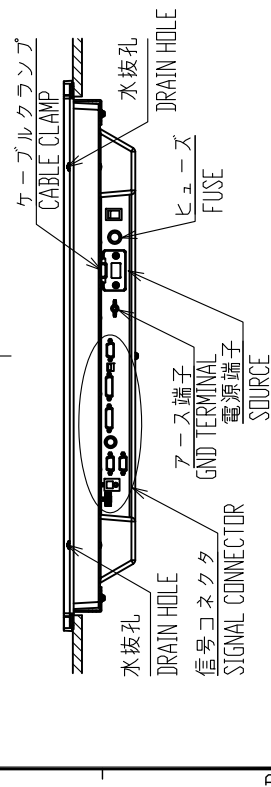
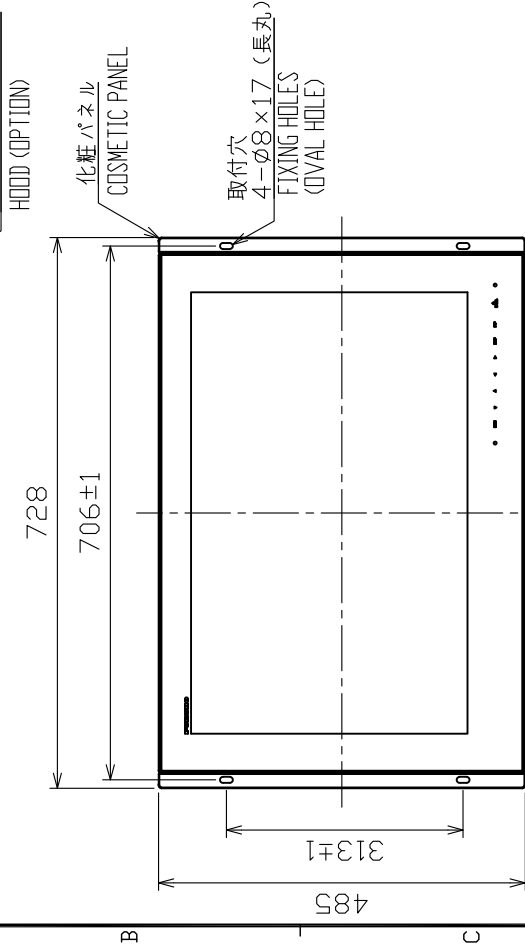
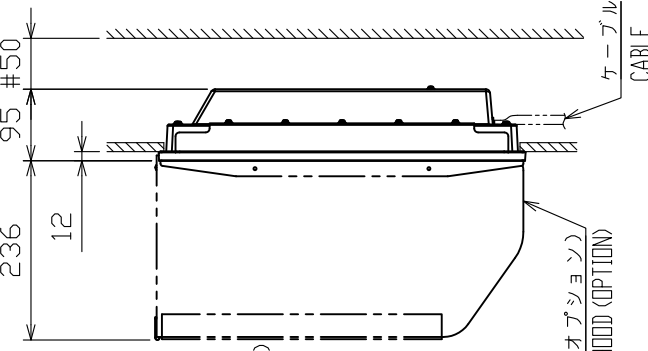
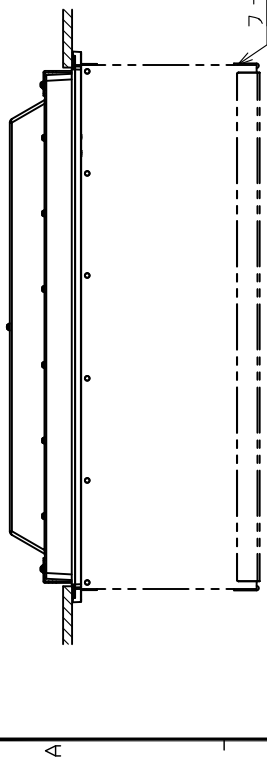


表 1 TABLE 1

寸法区分 (mm) DIMENSION	公差 (mm) TOLERANCE
0 < L ≤ 50	±1.5
50 < L ≤ 100	±2.5
100 < L ≤ 500	±3
500 < L ≤ 1000	±4



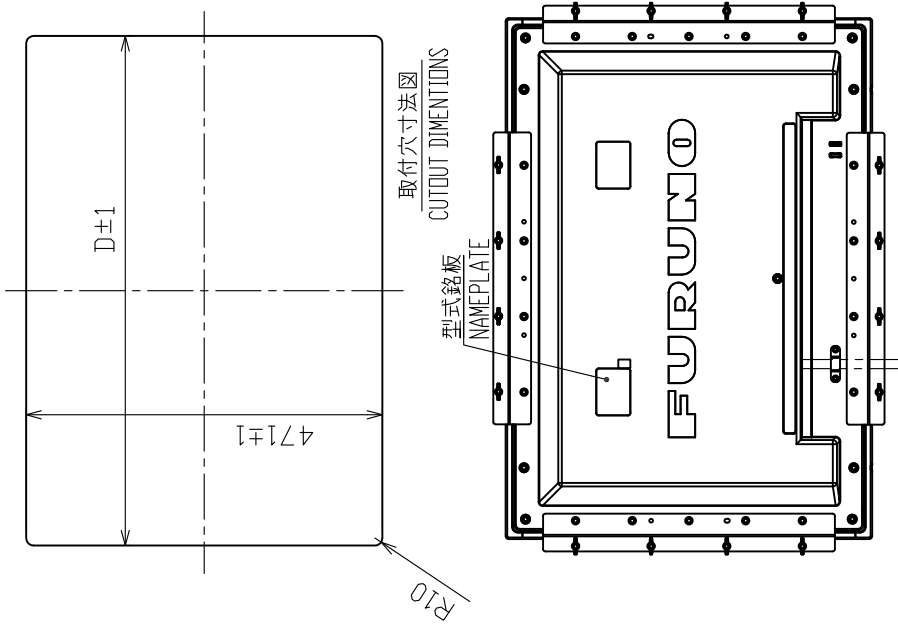
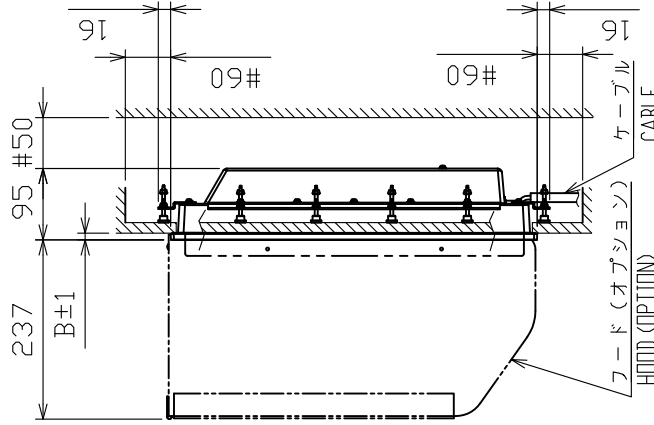
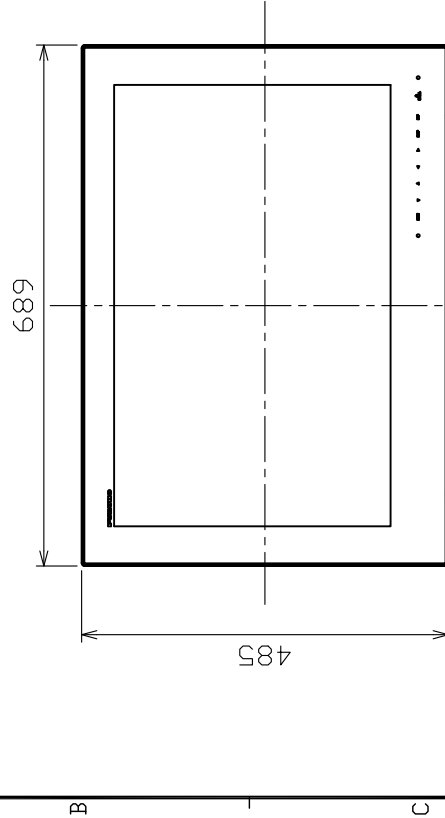
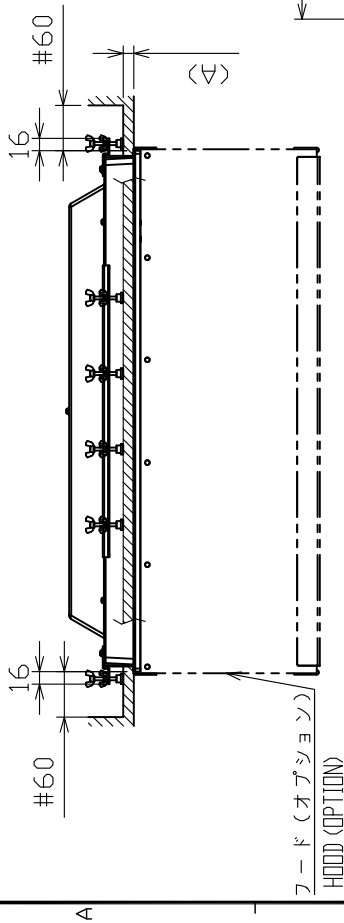
NOTE 1. TABLE 1 INDICATES TOLERANCE OF DIMENSIONS WHICH IS NOT SPECIFIED.
 2. # MINIMUM SERVICE CLEARANCE.
 3. USE TAPPING SCREWS $\phi 6 \times 30$ FOR FIXING THE UNIT.

DRAWN	3/Feb/2020	I. YAMASAKI	TITLE	MU-270W
CHECKED	3/Feb/2020	H. MAKI	名称	表示部 (埋込装備 F)
APPROVED	6/Feb/2020	H. MAKI	外寸図	
SCALE	1/10	1/3	標準仕ケール・オプションを含まず。NAME MASS DOES NOT INCLUDE CABLE OPTION.	MONITOR UNIT (FLUSH MOUNT F)
FIG.No.	C493-602-C	26-009-100G-5	REF.No.	OUTLINE DRAWING

注 記 1) 指定外の寸法公差は表 1 による。
 2) #印寸法は最小サービスクリアランスとする。
 3) 取付ネジはトラスターピンネジ呼び径 6 × 30 を使用のこと。

表 1. TABLE 1.

寸法区分(mm) DIMENSION	公差(mm) TOLERANCE
0 < L ≤ 50	±1.5
50 < L ≤ 100	±2.5
100 < L ≤ 500	±3
500 < L ≤ 1000	±4



NOTE 1. TABLE 1 INDICATES TOLERANCE OF DIMENSIONS WHICH IS NOT SPECIFIED, 表 2. TABLE 2.

フーフフード	B (mm)	D (mm)
なし	ND	9
あり	YES	11.5

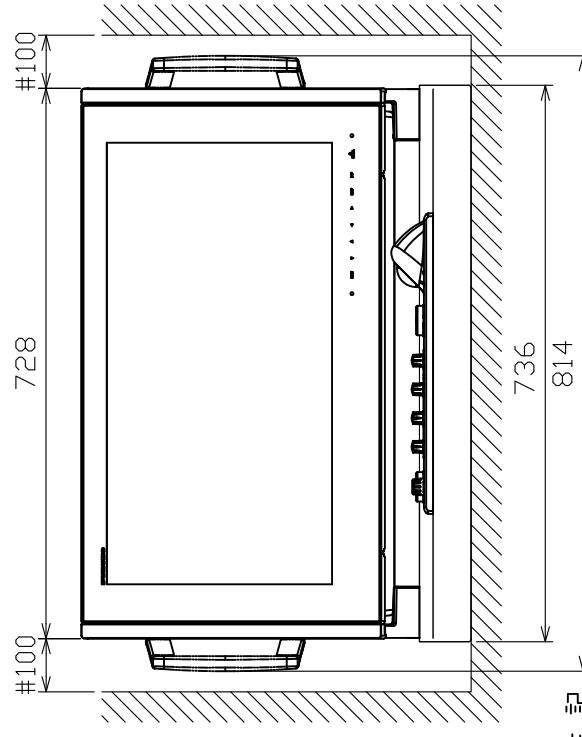
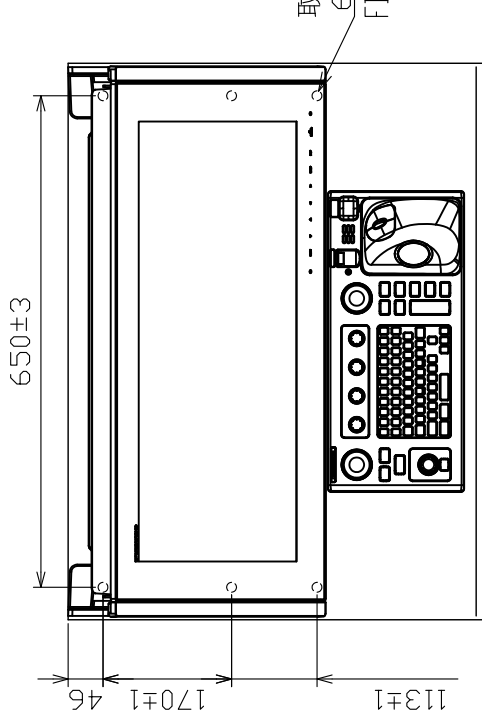
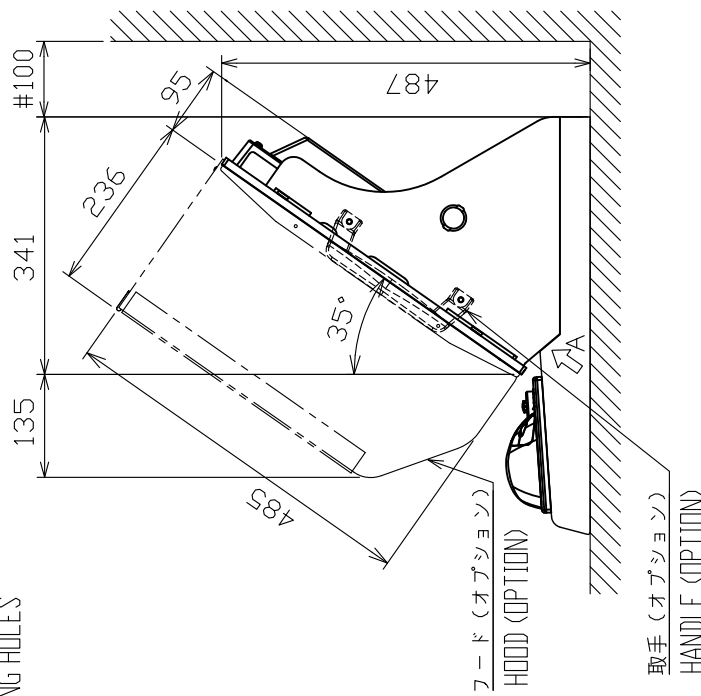
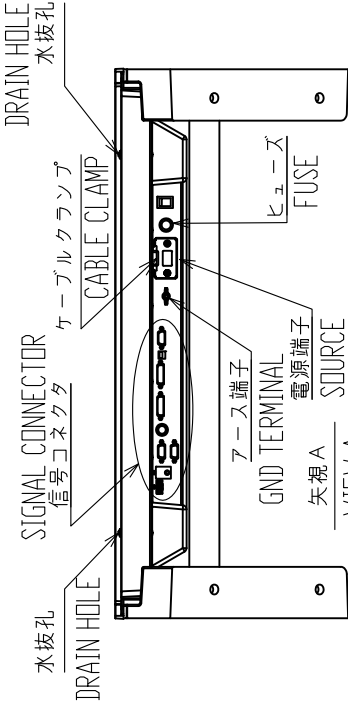
2. # MINIMUM SERVICE CLEARANCE.
3. THICKNESS OF BULKHEAD (A): 10 ≤ A ≤ 20.
4. TABLE 2 INDICATES DIMENSIONS OF B AND D.

- 注記
- 1) 指定外の寸法公差は表 1 による。
 - 2) # 印寸法は最小サージ空間寸法とする。
 - 3) 壁の厚さ (A) は最小 10、最大 20 とする。
 - 4) B, D 寸法は表 2 による。

DRAWN	3/Feb/2020	I. YAMASAKI	TITLE	MU-270W
CHECKED	3/Feb/2020	H. MAKI	名称	表示部 (埋込装備 S)
APPROVED	6/Feb/2020	H. MAKI		外寸図
SCALE	1/10	1/3	NAME	MONITOR UNIT (FLUSH MOUNT S)
IMG No.	C4493-603-C	26-009-1105-5	REF. No.	OUTLINE DRAWING

表1 TABLE 1

寸法区分 (mm) DIMENSION	公差 (mm) TOLERANCE
L ≤ 50	±1.5
50 < L ≤ 100	±2.5
100 < L ≤ 500	±3
500 < L ≤ 1000	±4



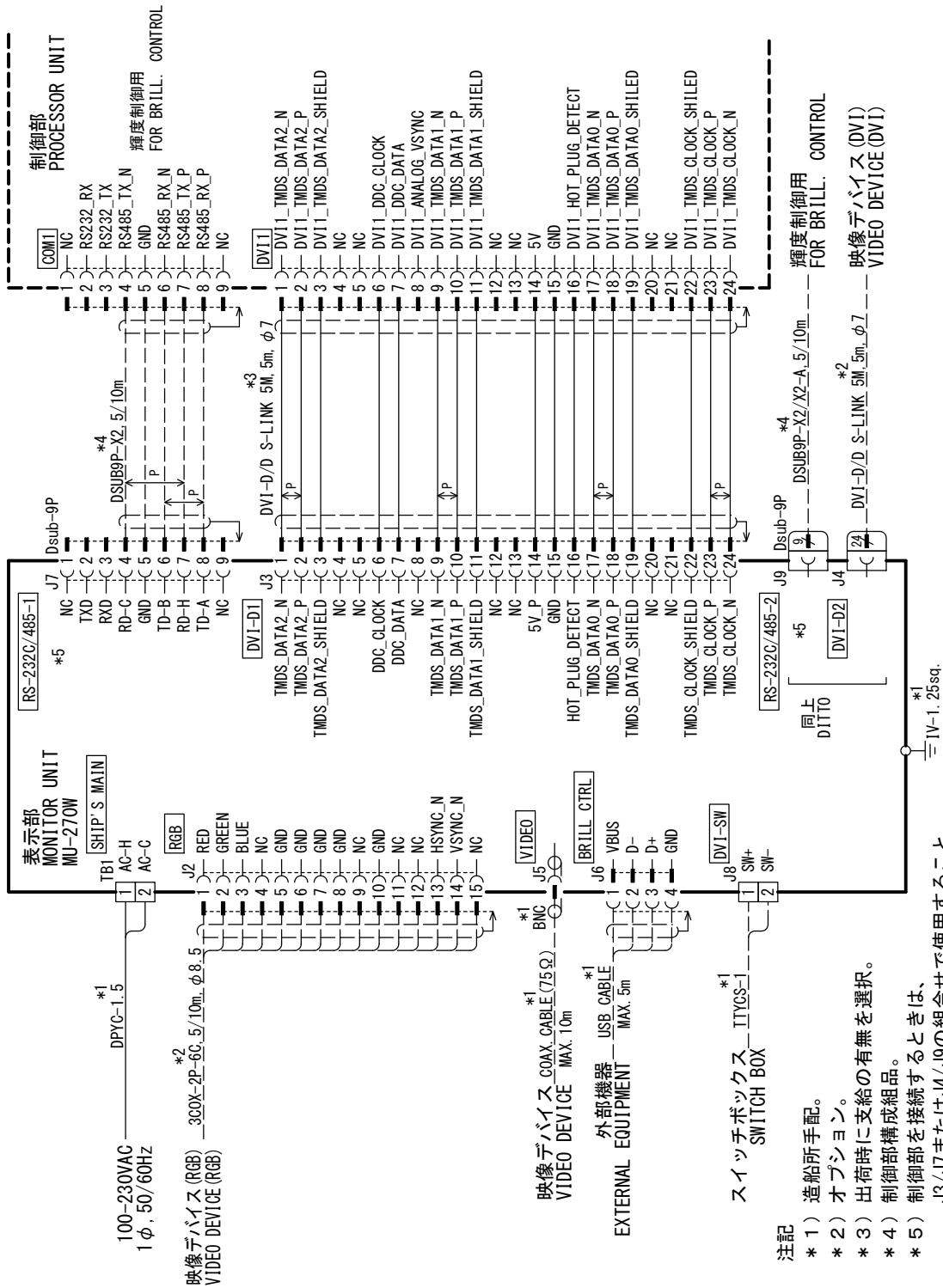
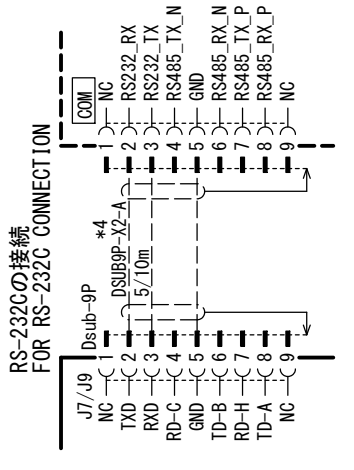
注記

- 1) 指定外の寸法公差は表1による。
- 2) #印寸法は最小サービス空間寸法とする。
- 3) 取付用ネジはM10ボルトまたはコーチボルト呼び径9を使用のこと。

NOTE

1. TABLE 1 INDICATES TOLERANCE OF DIMENSIONS WHICH IS NOT SPECIFIED.
2. # MINIMUM SERVICE CLEARANCE.
3. USE M10 BOLTS OR COARCH SCREWS φ9 FOR FIXING THE UNIT.

DRAWN	3/Feb/2020	I.YAMASAKI	TITLE	MU-270W
CHECKED	3/Feb/2020	H.MAKI	名称	表示部 (連結台タイプ)
APPROVED	6/Feb/2020	H.MAKI	外寸図	
SCALE	1/10	100% MASS 32 kg	NAME	MONITOR UNIT (CONNECTION STAND TYPE)
IMG.No.	C4493-004-B	26-009-130G-1	OUTLINE DRAWING	



DRAWN	13/May/2022	T. YAMASAKI	TITLE	MU-270W
CHECKED	13/May/2022	H. MAKI	名称	表示部
APPROVED	18/May/2022	H. MAKI	相互結線図	MONITOR UNIT
SCALE	1/MASS	kg	INTERCONNECTION DIAGRAM	
DWG No.	C4493-001-F	REF. No.		

注記
 *1) 造船所手配。
 *2) オプション。
 *3) 出荷時に支給の有無を選択。
 *4) 制御部構成組品。
 *5) 制御部を接続するときは、J3/J7またはJ4/J9の組合せで使用すること。



Declaration of Conformity



We **FURUNO ELECTRIC CO., LTD.**

(Manufacturer)

9-52 Ashihara-Cho, Nishinomiya City, 662-8580, Hyogo, Japan

(Address)

declare under our sole responsibility that the product

MONITOR UNIT MU-270W

(Model name, type number)

to which this declaration relates conforms to the following standard(s) or other normative document(s)

EU
EMC Directive 2014/30/EU

UK
SI 2016 No.1091 EMC Regulations 2016 as amended

IEC 60945 Ed.4.0: 2002

EN 60945: 2002

For assessment, see

- Test report
Labotech International Co., Ltd.
LIC 12-16-009, 25 Mar 2016

For assessment, see

- Test report
Labotech International Co., Ltd.
LIC 12-16-009, 25 Mar 2016

(title and/or number and date of issue of the standard(s) or other normative document(s))

On behalf of Furuno Electric Co., Ltd.

Nishinomiya City, Japan
26 July 2021

(Place and date of issue)

Akihiko Kanechika
Department General Manager
Quality Assurance Department

(name and signature or equivalent marking of authorized person)