

FURUNO®

MD-500 INSTALLATION INSTRUCTIONS

INSTALLATION MATERIALS AND SPARE PARTS

	Name	Type	Code No.	Q'ty		Name	Type	Code No.	Q'ty
1	Canoe Clip	No.1155	000-115-002	4	6	EMI Shield Tape	FERREX 1 inch	000-835-087	1
2	Connector	SRCN6A16-10P	000-508-663	5	7	Flat Washer	M5	000-864-108	4
3	Connector	SRCN6A16-10S	000-508-668	1	8	Power Cable Assy.	PO4-1-3.5(2P)	004-058-190	1
4	Copper Strap	30x1200x0.3	000-572-187	1	9	Signal Cable	CO-SPEVV-SB-C	000-111-680	1
5	Tapping Screw	5x20 SUS304	000-800-488	4	10	Fuse	0.2x2P, 5m FGMB 0.5A,125V	000-114-994	3

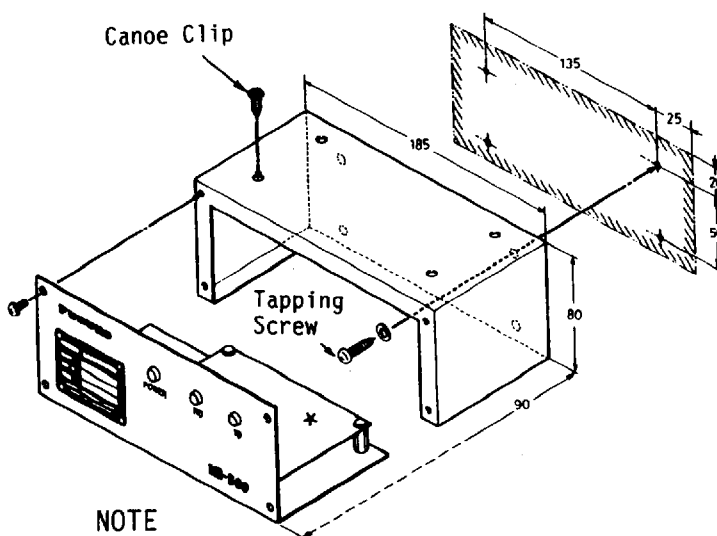
CAUTION

- * Separate from radio transmitter, radar, direction finder (at least 3m) and heat/cold source.
- * Select a place free from direct sunbeam, water splash and vibration.
- * Ground the main chassis firmly, using the copper strap supplied.

⚠ CAUTION

- 1) The mounting location should satisfy the following conditions:
 - Locate the equipment at least 3 meters away from radar, radio equipment, direction finder and other equipment.
 - Locate the equipment away from air conditioner vents.
 - Keep the equipment out of direct sunlight.
 - Vibration should be minimal.
 - The location should be free of water spray.
- 2) Ground the equipment cable armor to prevent mutual interference and electrical shock.

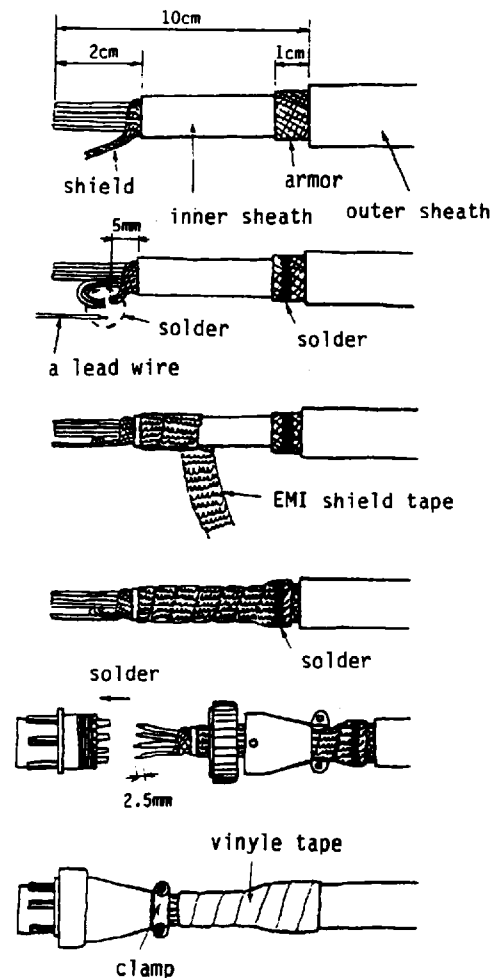
MOUNTING

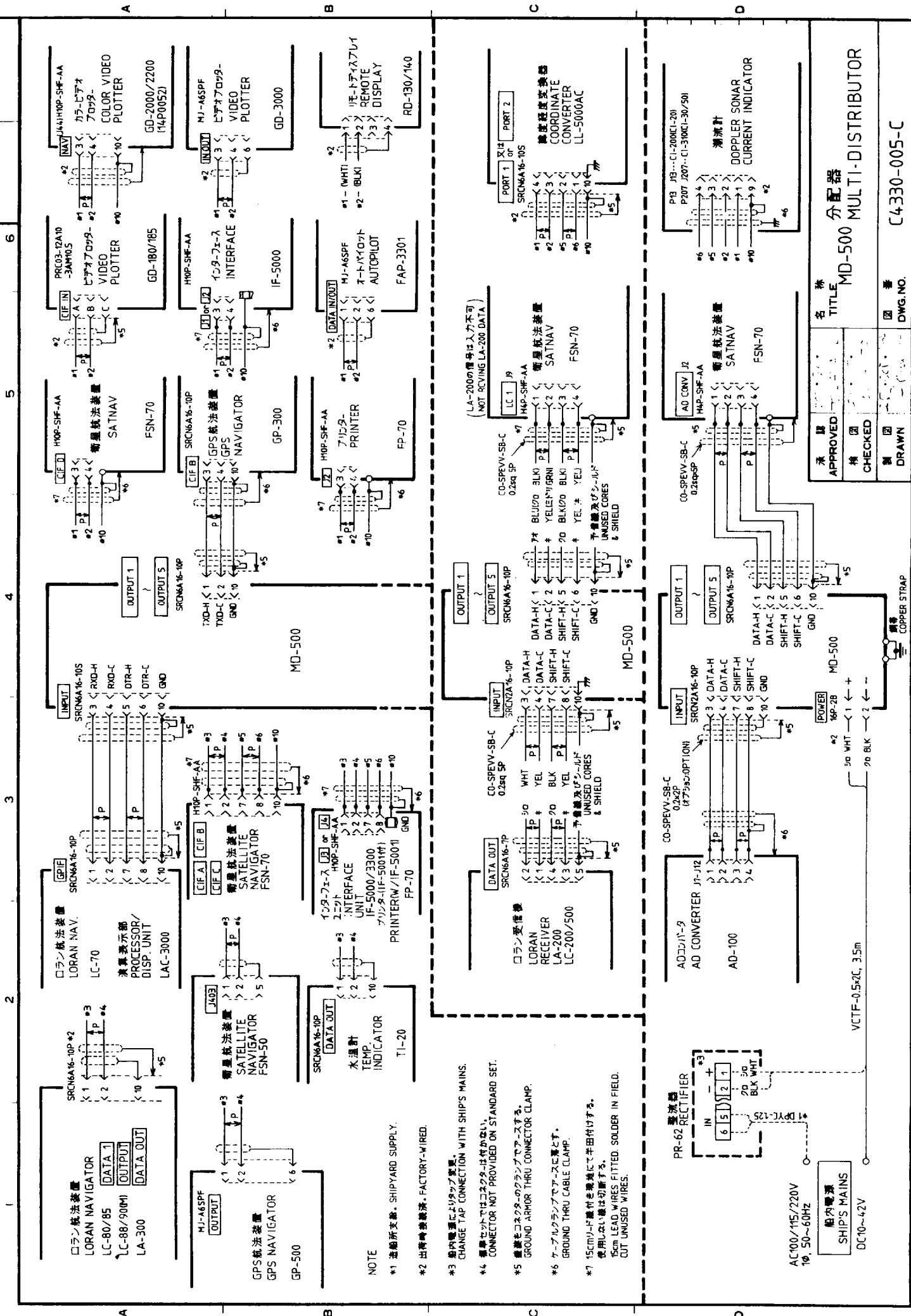


NOTE

- 1) Insert canoe clips supplied into the unused mounting holes.
- 2) *:0.5A fuse locates on the board.

FABRICATION OF SIGNAL CABLE





承認 APPROVED	名称 TITLE
検閲 CHECKED	MD-500 分配器
製図 DRAWN	MULTI-DISTRIBUTOR
図番 DWG. NO.	C4330-005-C

- NOTE
- *1 造船所支巻. SHIPYARD SUPPLY.
 - *2 出陣時巻法. FACTORY-WIRED.
 - *3 船内電源によりケーブル巻直.
 - *4 巻直ケーブルではコネクタを付けない.
 - *5 巻直ケーブルのコネクタのクランプがマースです.
 - *6 ケーブルクランプがマースと異なる.
 - *7 15cmリード線付巻直を現場にておこなう.

船内電源
SHIP'S MAINS
DC10~42V

AC100/115/220V
1φ, 50~60HZ

VCTF-0.5x2C, 3.5m

PR-62 整流器
RECTIFIER

AD CONVERTER
AD-100

CO-SPEWV-SB-C
0.2x2P
1875350(OPTION)

MD-500

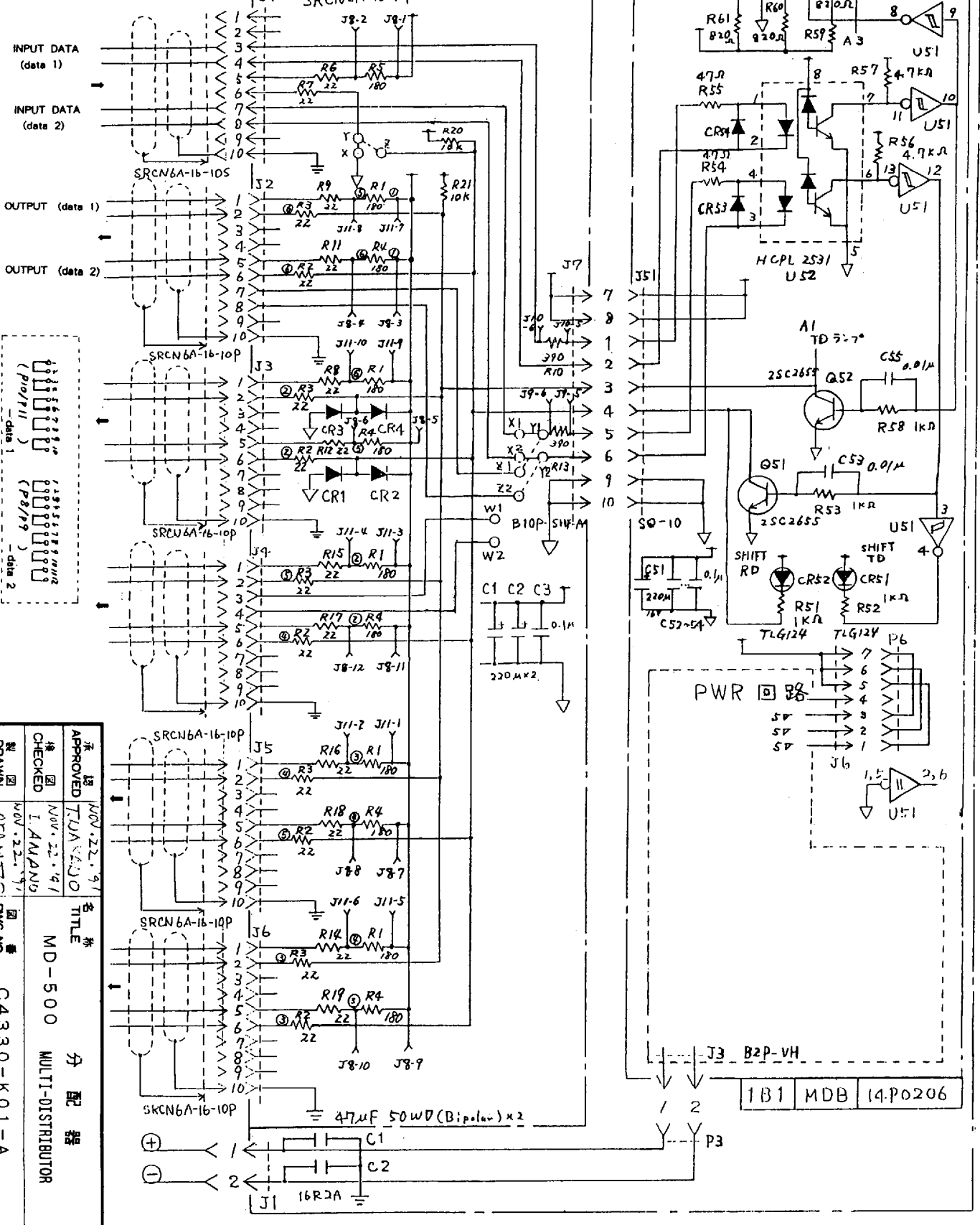
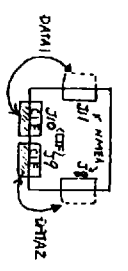
POWER
16P-2B

5φ WHT
7φ BLK

COPPER STRAP

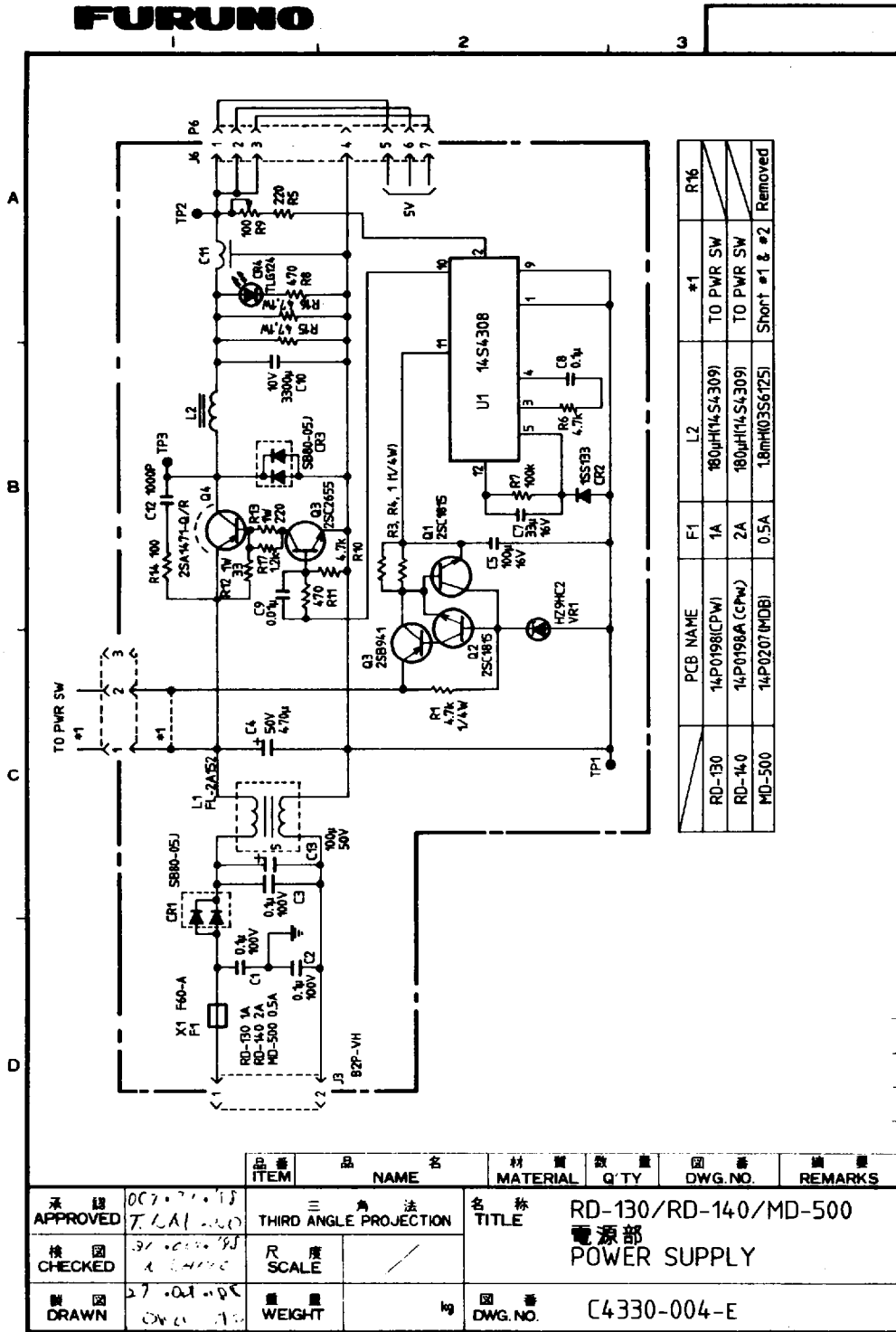
CIF/NMEAの選択
SELECTION OF CIF/NMEA

	CIF	NMEA
DATA 1	J10	J11
DATA 2	J9	J8



承認 APPROVED	検査 CHECKED	製図 DRAWN	承認 NOV. 22. '91	検査 NOV. 22. '91	製図 NOV. 22. '91
承認 APPROVED	検査 CHECKED	製図 DRAWN	承認 NOV. 22. '91	検査 NOV. 22. '91	製図 NOV. 22. '91
TJVA (C/S/D)			I. AMANO		
MD-500			MULTI-DISTRIBUTOR		
分配器			DMG. NO. C4330-K01-A		

FURUNO ELECTRIC CO., LTD.



承認 APPROVED	品番 ITEM	品名 NAME	材質 MATERIAL	数量 Q'TY	図番 DWG.NO.	備考 REMARKS
承認 CHECKED	007-01-018 T. K. A. 100	三 THIRD ANGLE PROJECTION	名称 TITLE	RD-130/RD-140/MD-500 電源部 POWER SUPPLY		
検 DRAWN	27-01-018 O. K. 100	R SCALE	重量 WEIGHT	kg	図番 DWG.NO.	C4330-004-E

©FURUNO ELECTRIC CO., LTD.

9-52, Ashihara-cho,
Nishinomiya, Japan 662

Telephone: 0798-65-2111
Telefax: 0798-65-4200 (G111)

-Your Local Agent/Dealer

Initial : OCT 1988
G : JUN. 25, 1996

All rights reserved. Printed in Japan

