

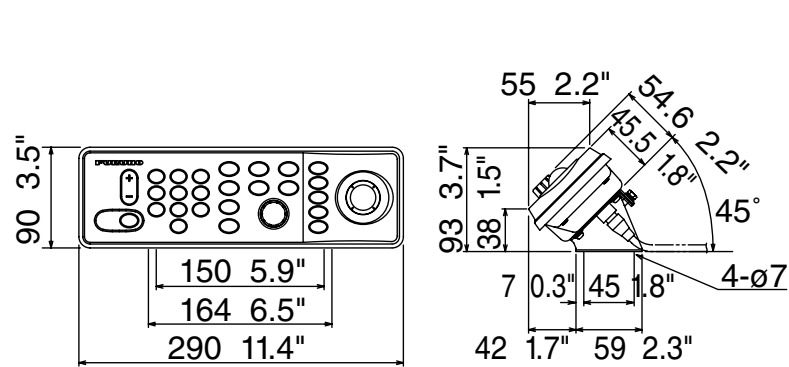
# NavNet vx2 10.4" LCD Display

## Dimensional Drawings

BlackBox

Control Unit (Bracket Mount)

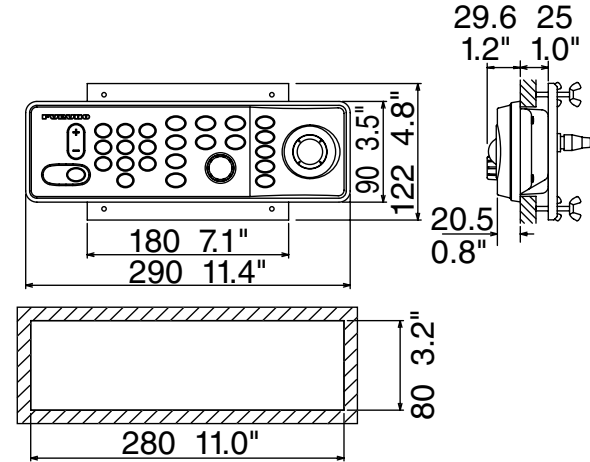
0.9 kg 2.0 lb



BlackBox

Control Unit (Flush Mount)

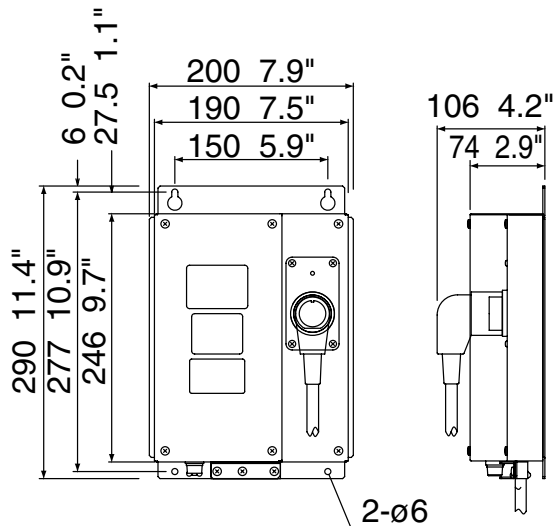
0.8 kg 1.8 lb



Power Amp Unit

PSU-005 for MODEL 1954C

1.9 kg 4.2 lb



BlackBox

Processor Unit

4.0 kg 8.8 lb

