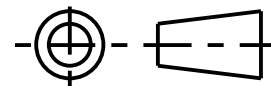


NOTES:

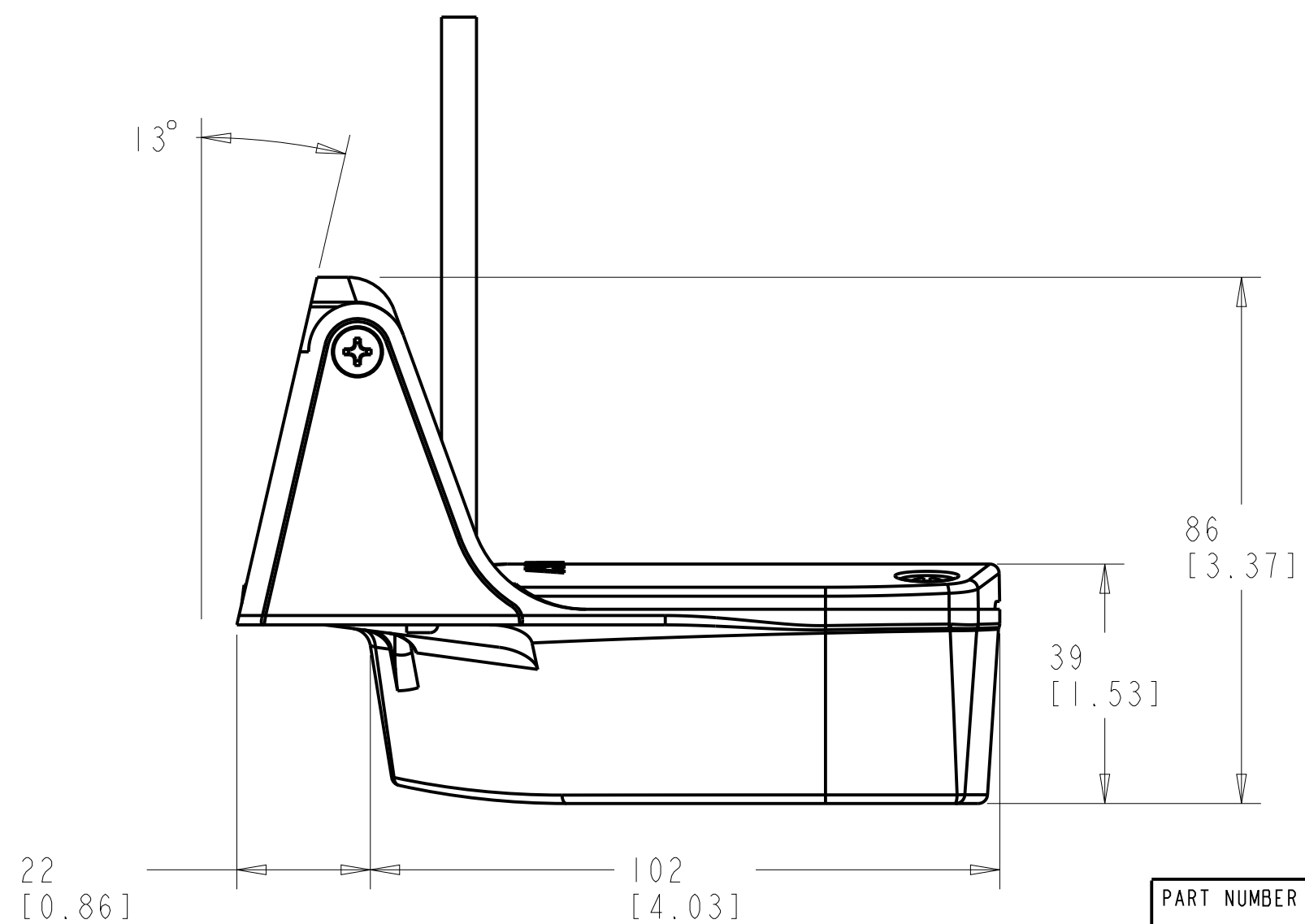
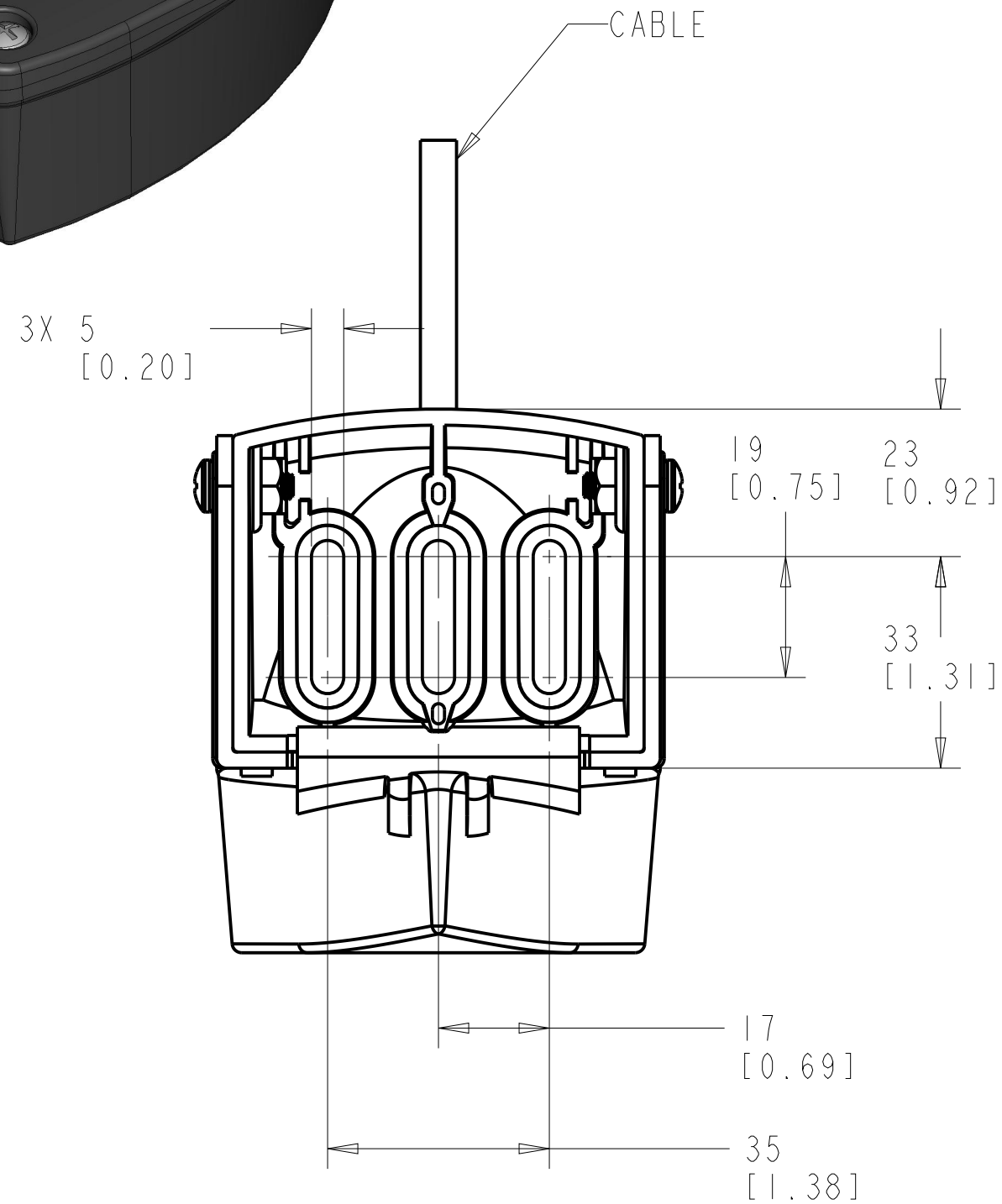
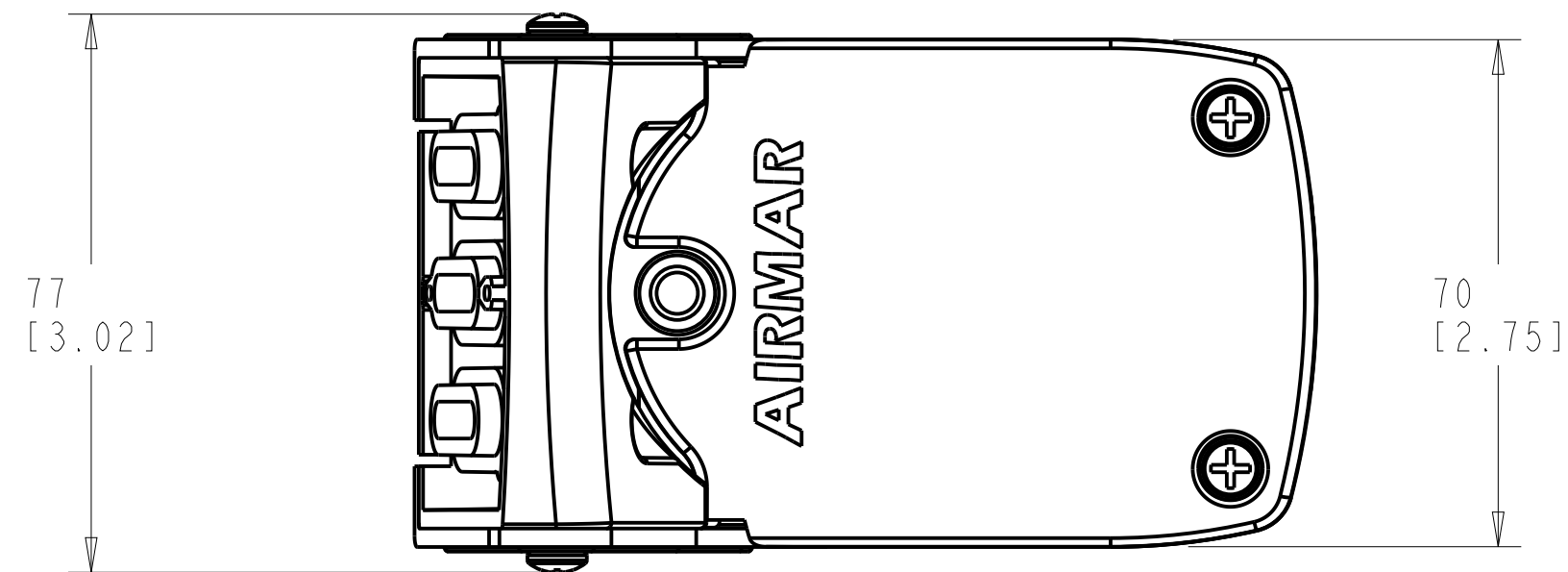
1. ANGLED WEDGES NOT INCLUDED IN DRAWING

THIRD ANGLE PROJECTION



DOCUMENT REVISIONS

REV	DESCRIPTION	CO NO.	DATE	CHG/CHK
1	PRELIMINARY RELEASE	--	--	--



PART NUMBER	N/A	P/N REV	
-------------	-----	---------	--

UNLESS OTHERWISE SPECIFIED	SIGNATURE	DATE
DIMENSIONS ARE IN MM TOLERANCES ON: 0 PL DECIMALS: ±2 1 PL DECIMALS: ±0.5 ANGLES: ±1/2° FRACTIONS: ±1/16	DRAWN: D.SPALDING	05/31/2018
	CHECKED: J. DeCARLO	01/16/2020

**AIRMAR** AIRMAR TECHNOLOGY CORPORATION  
 35 MEADOWBROOK DR.  
 MILFORD, NH 03055-4613 USA  
 TEL: 603-673-9570 FAX: 603-673-4624

TITLE: TMI50 OUTLINE DRAWING

MATERIAL: HOUSING: PLASTIC  
 ACOUSTIC WINDOW: URETHANE

SIZE: C	SCALE: FULL SHEET 1 OF 1	DOC NUMBER: D-19054	DOC REV: 1
---------	-----------------------------	---------------------	------------

THIS DOCUMENT AND THE DATA DISCLOSED HEREIN OR HEREWITH IS NOT TO BE REPRODUCED, USED, OR DISCLOSED IN WHOLE OR IN PART TO ANYONE WITHOUT THE PERMISSION OF AIRMAR.

CRITICAL DIMENSION (REF) DO NOT SCALE DRAWING