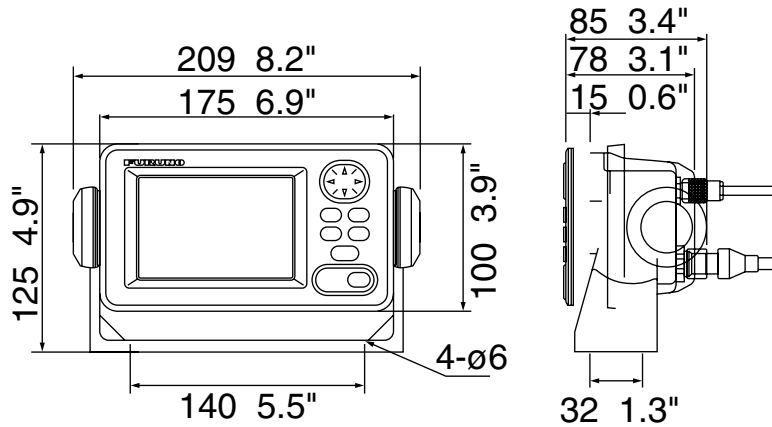


# SC110 Dimensional Drawings

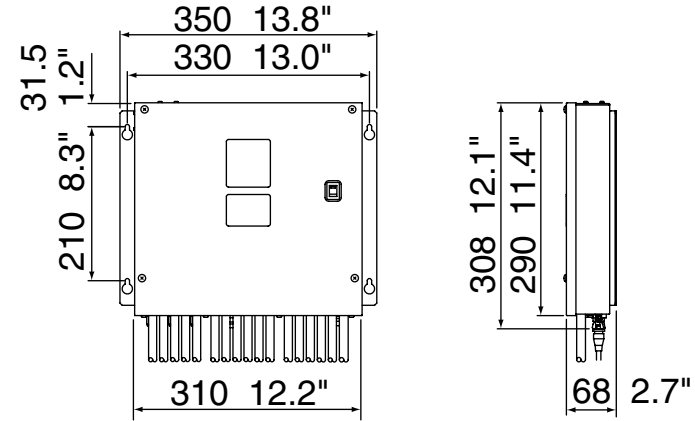
SC50/110 Display Unit

0.55 kg 1.2 lb



SC50/110 Processor Unit

4.2 kg 9.3 lb



SC110 Antenna Unit

6.8 kg 15 lb

