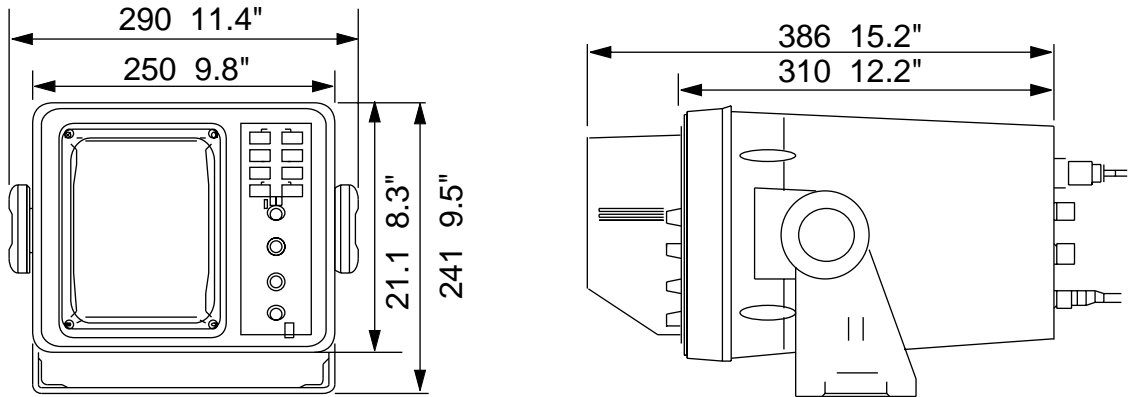
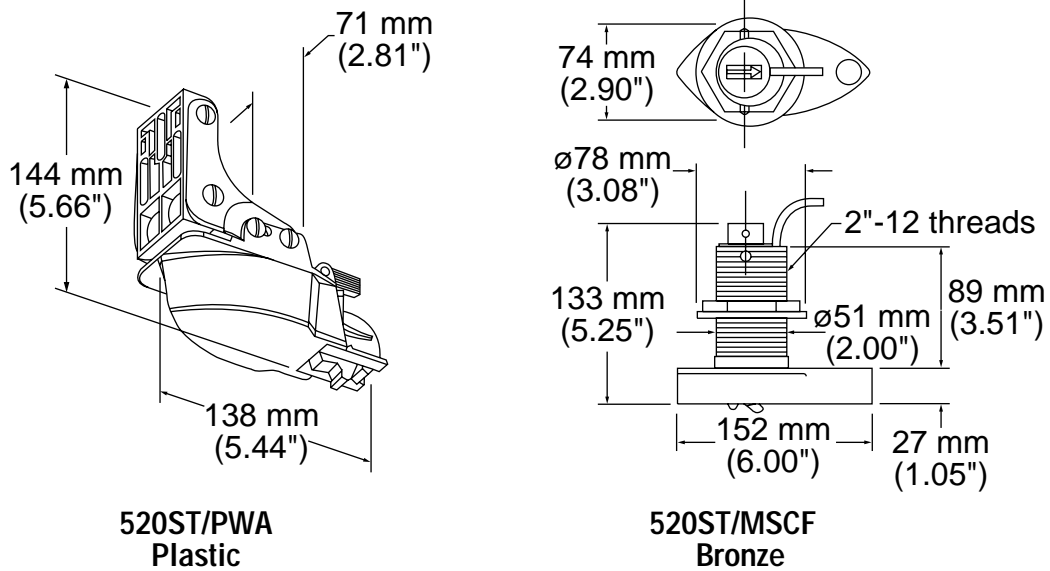


FCV582 DISPLAY DIMENSIONS



Wt 8 kg 17.6 lbs.

FCV582 TRANSDUCER DIMENSIONS



**520ST/PWA
Plastic**

**520ST/MSCF
Bronze**

Specifications subject to change without notice.