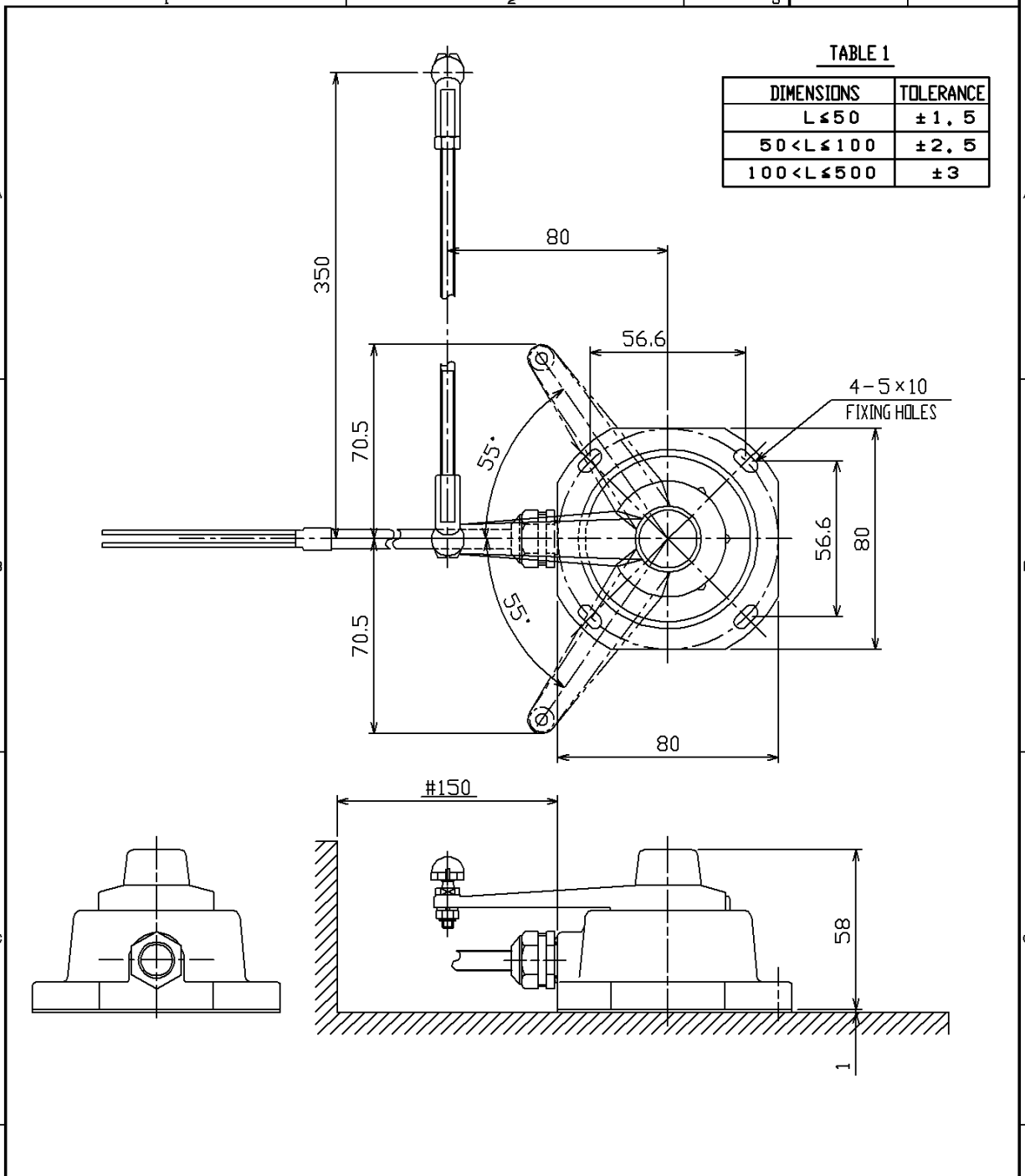


FURUNO



- NOTE
- #: MINIMUM SERVICE CLEARANCE.
 - TABLE 1 INDICATES TOLERANCE OF DIMENSIONS WHICH IS NOT SPECIFIED.
 - USE SELF-TAPPING SCREWS 4X20 FOR FIXING THE UNIT.
 - CABLE NOT INCLUDED IN MASS.

DRAWN	Apr. 14 '04 E. MIYOSHI	TITLE	FAP-6111
CHECKED	TAKAHASHI, T		
APPROVED	Y. Hatai	Navpilot-500/511	
SCALE	1/2	MASS	0.19 $\pm 10\%$ kg
DWGNo.	C7250-G04-B	64-024-420G-1	NAME RUDDER REFERENCE UNIT OUTLINE DRAWING