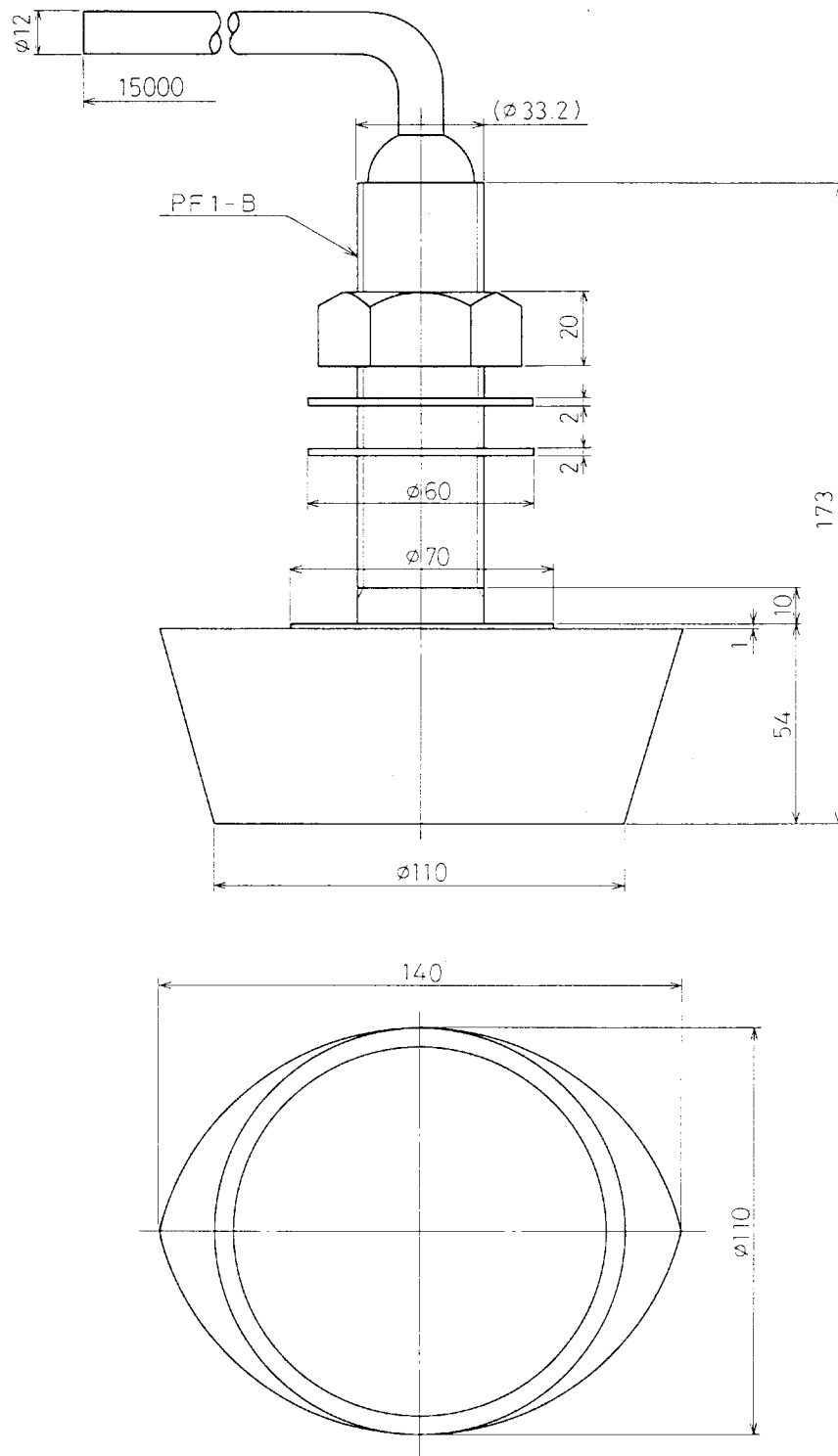


A

B

C

D



| 品番<br>ITEM     | 品名<br>NAME           | 材質<br>MATERIAL                | 数量<br>Q'TY | 図番<br>DWG.NO. | 摘要<br>REMARKS                 |
|----------------|----------------------|-------------------------------|------------|---------------|-------------------------------|
| 承認<br>APPROVED | DCT・6・88<br>T.NAKANO | 三角法<br>THIRD ANGLE PROJECTION |            | 名称<br>TITLE   | 送受波器外寸図<br>TRANSDUCER OUTLINE |
| 検図<br>CHECKED  | 05・5・88<br>T.KODI    | 尺度<br>SCALE                   | 1/2        | 200B-82M      |                               |
| 製図<br>DRAWN    | 05・4・88<br>M.USHIO   | 重量<br>WEIGHT                  | 6.5 kg     | 図番<br>DWG.NO. | C2003-056-A                   |