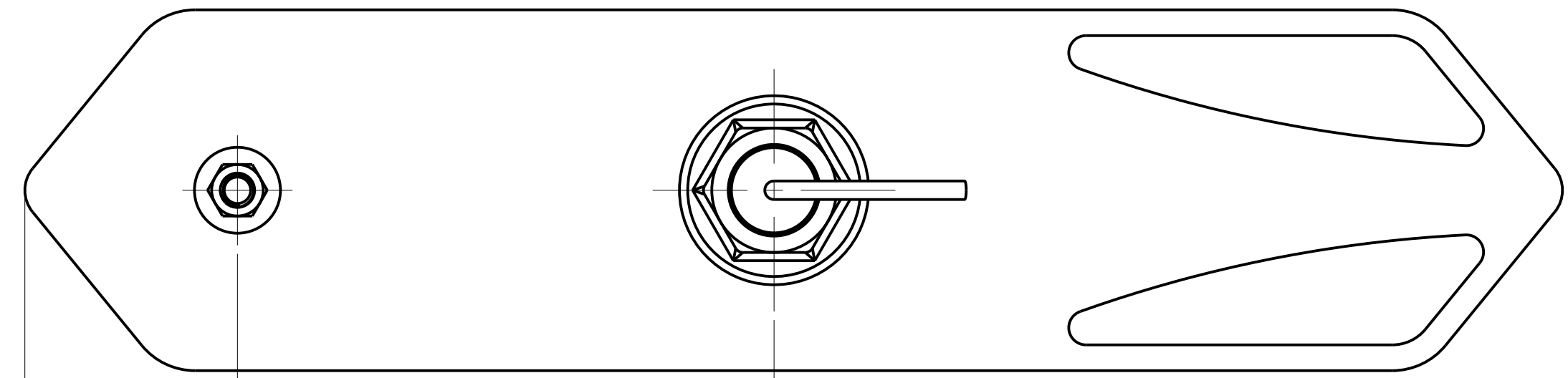
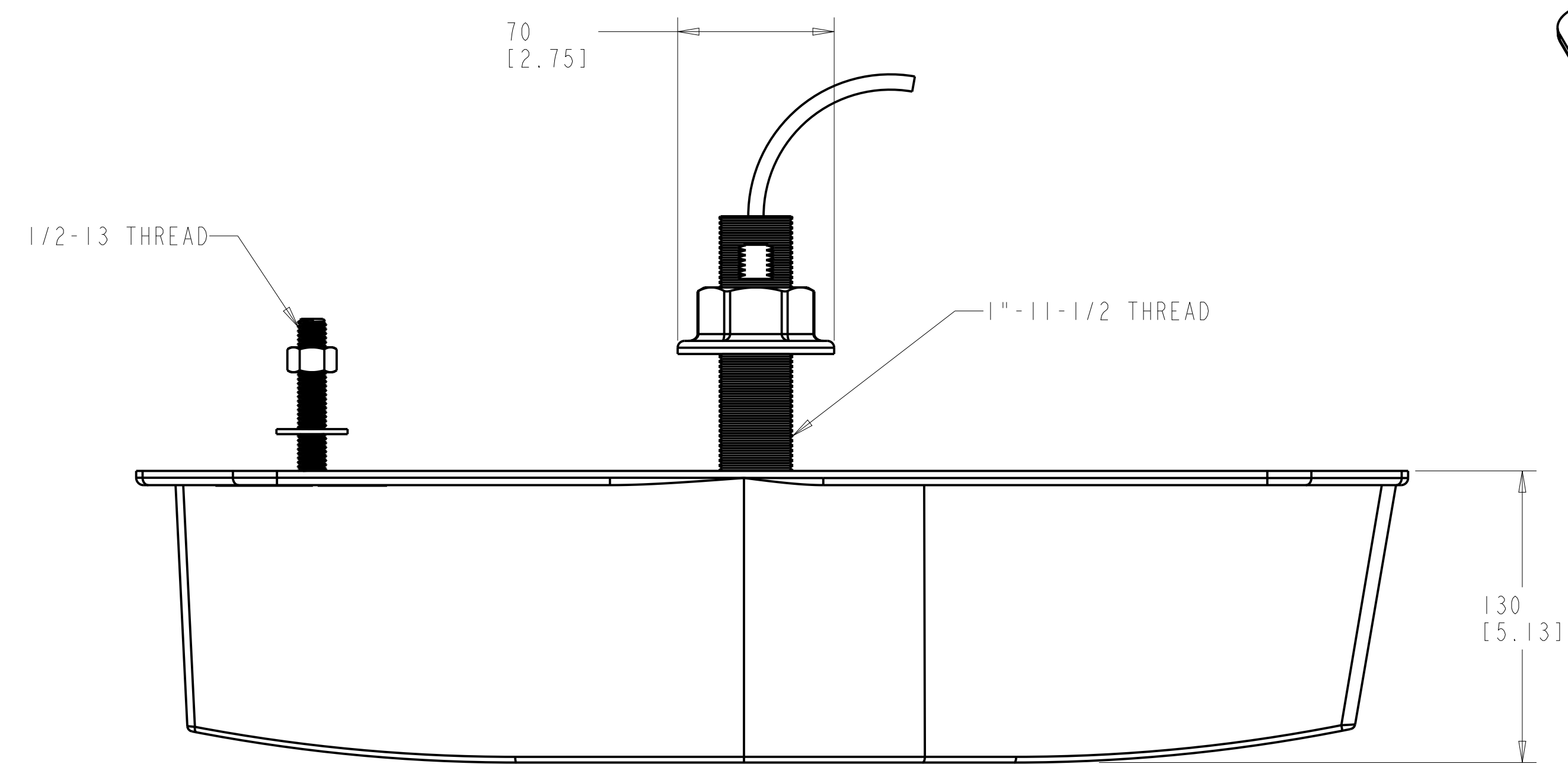
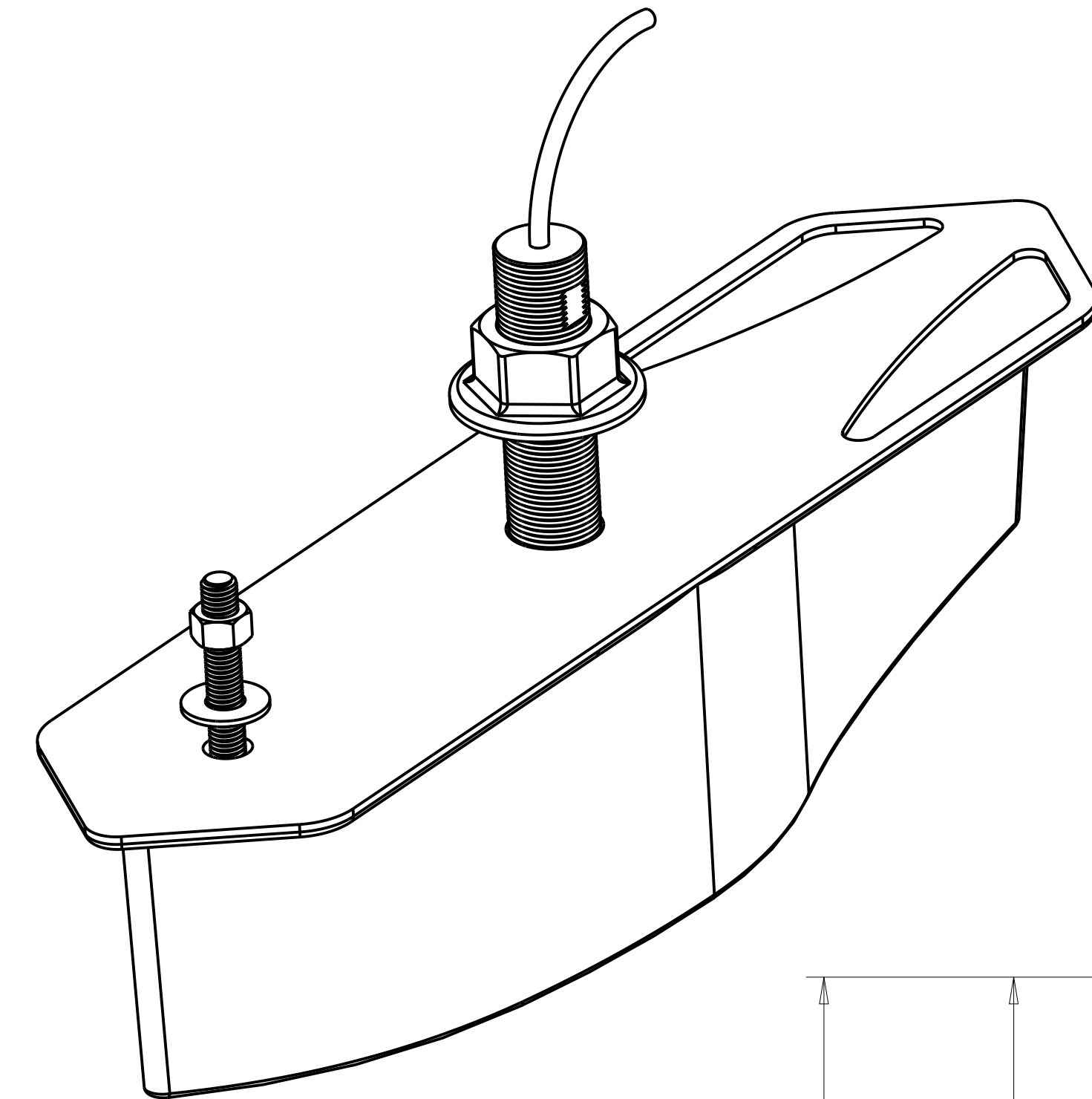


THIRD ANGLE PROJECTION		DOCUMENT REVISIONS			
REV	DESCRIPTION	CO. NO.	DATE	CHG/CHK	
1	INITIAL RELEASE	--	--	--	



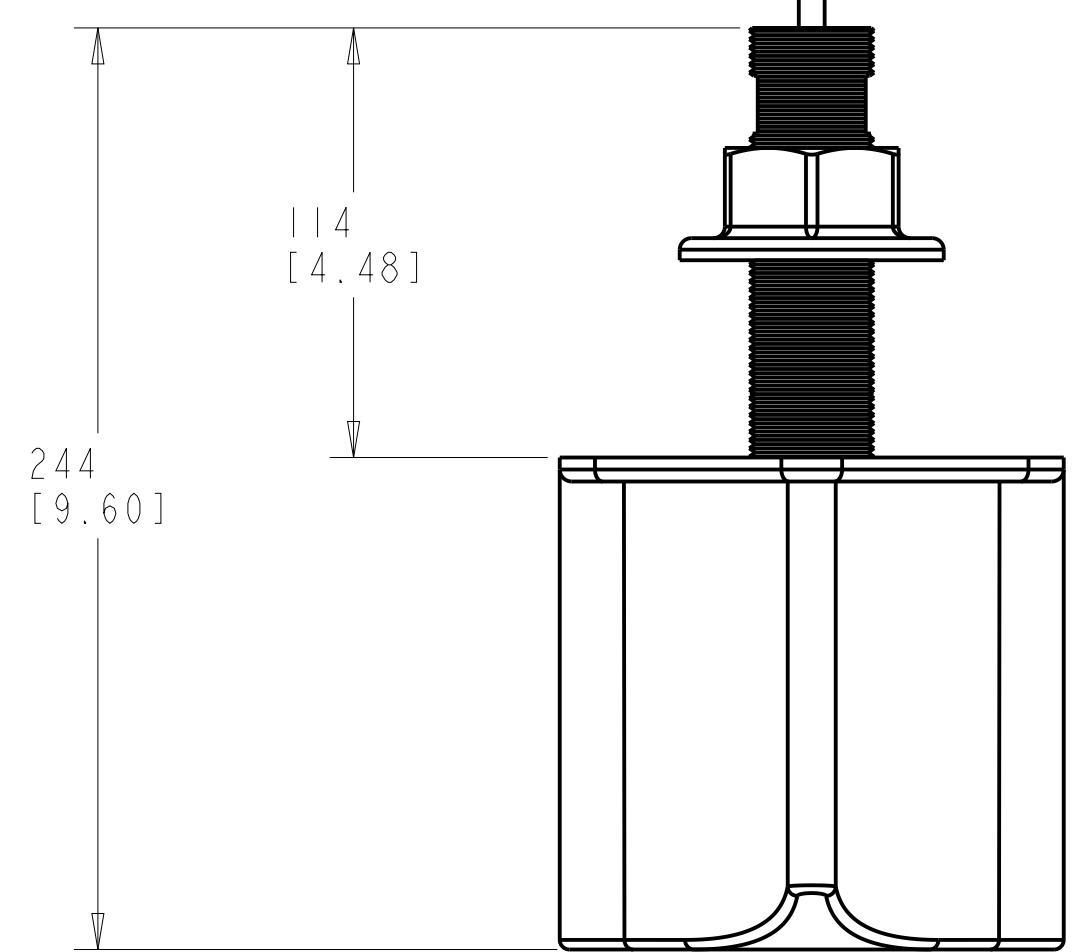
78 [3.09] 198 [7.80]



1/2-13 THREAD

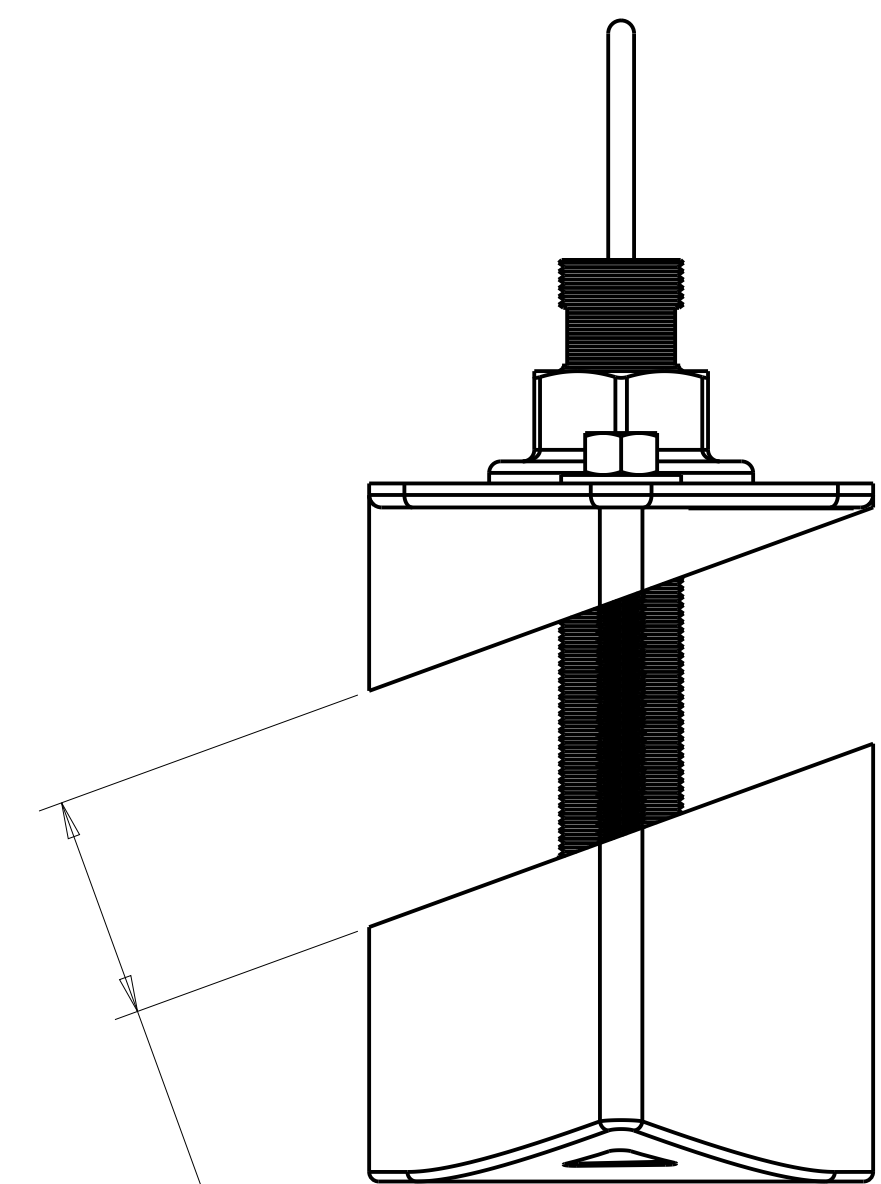
1"-11-1/2 THREAD

130 [5.13]

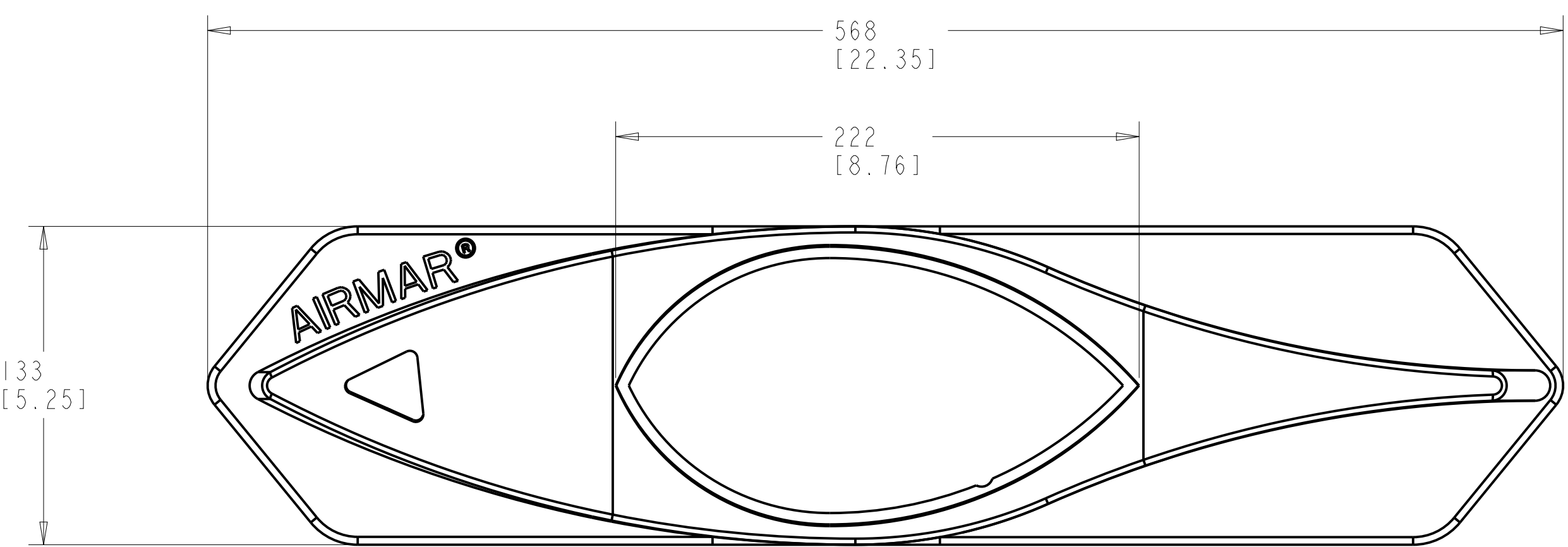


244 [9.60]

114 [4.48]



59 [2.31]
MAX HULL THICKNESS
AT 20° DEAD RISE ANGLE



133 [5.25]

568 [22.35]

222 [8.76]

TABLE		
MODEL	HOUSING/NUT/HARDWARE	ACOUSTIC WINDOW
B260	BRONZE	URETHANE
B265	BRONZE	URETHANE
B275	BRONZE	URETHANE
SS260	STAINLESS STEEL	URETHANE

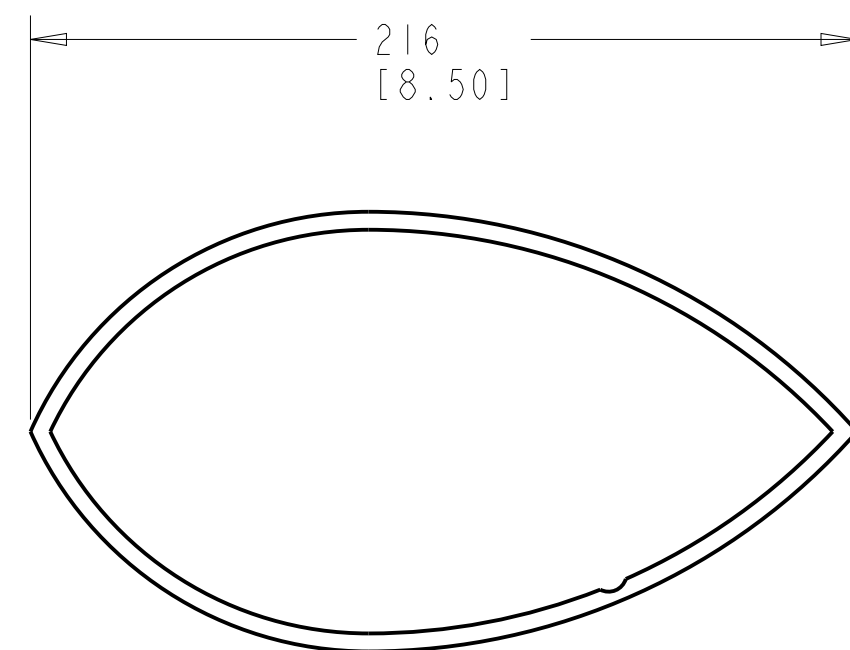
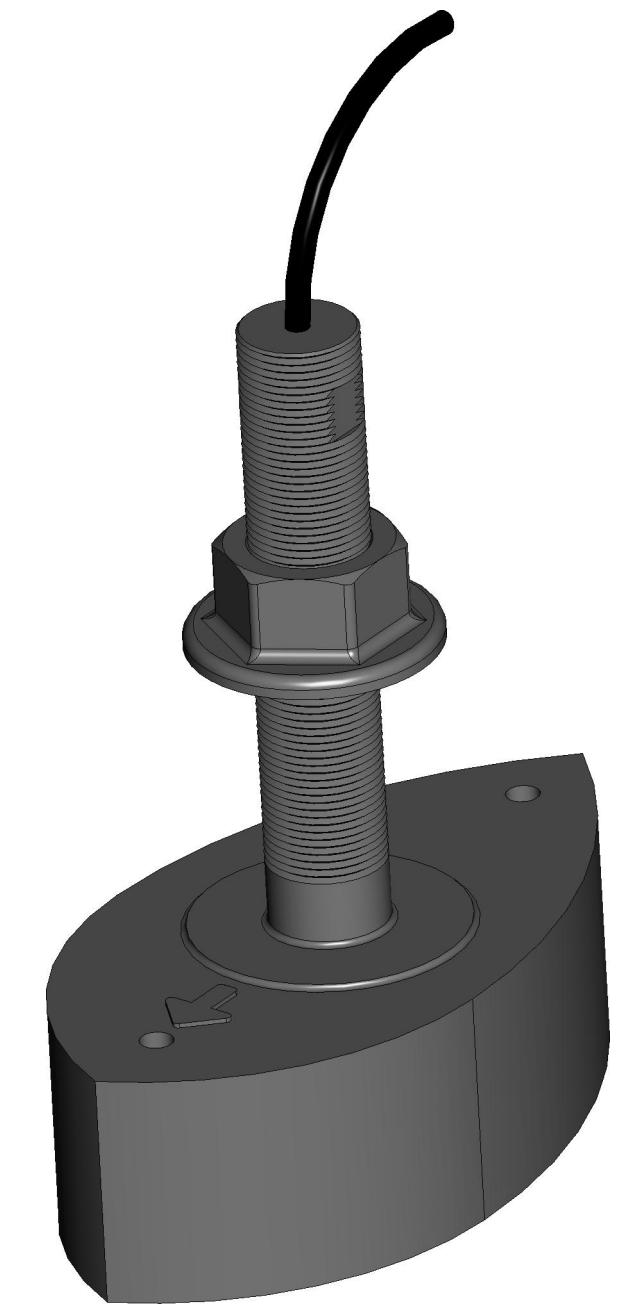
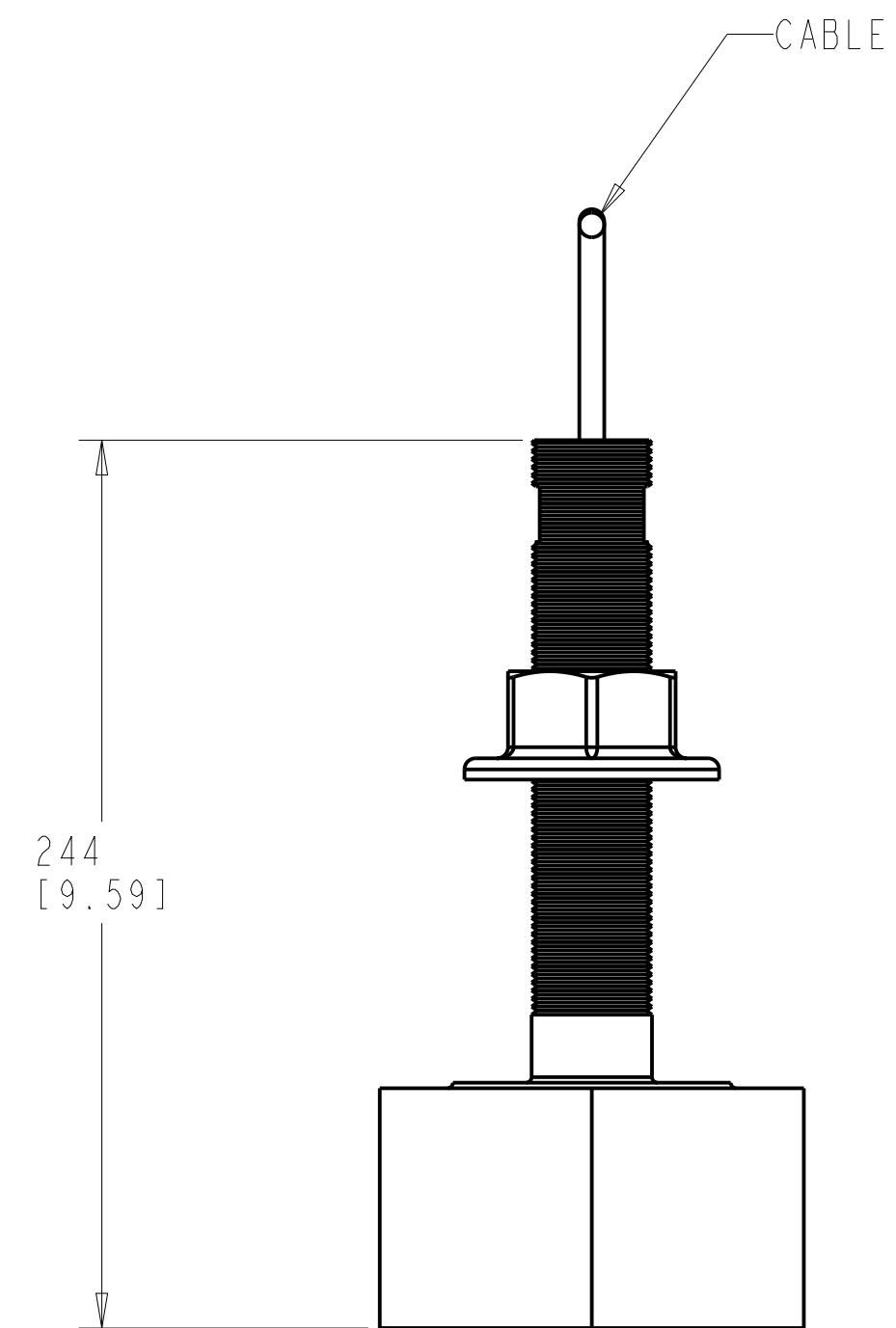
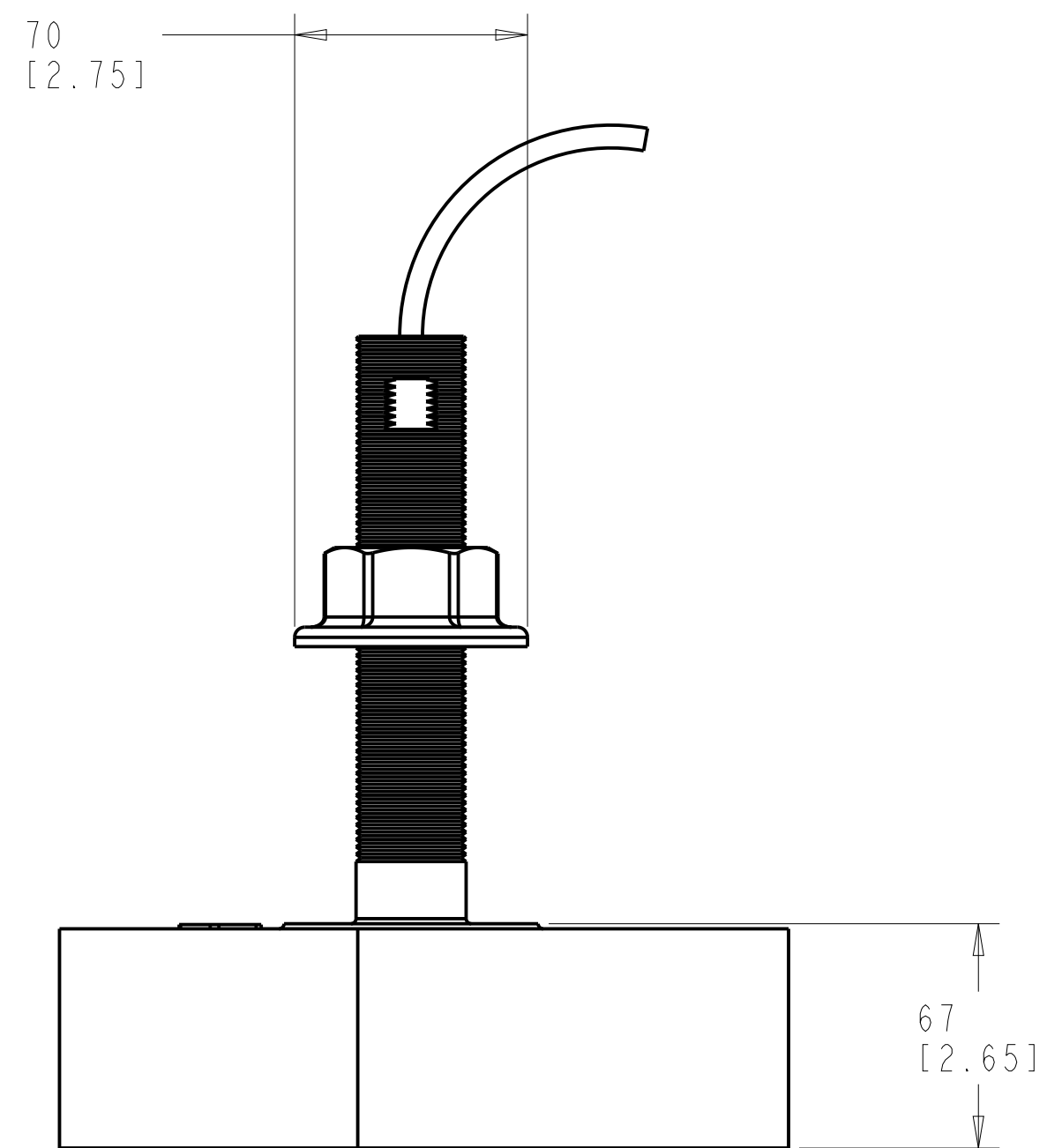
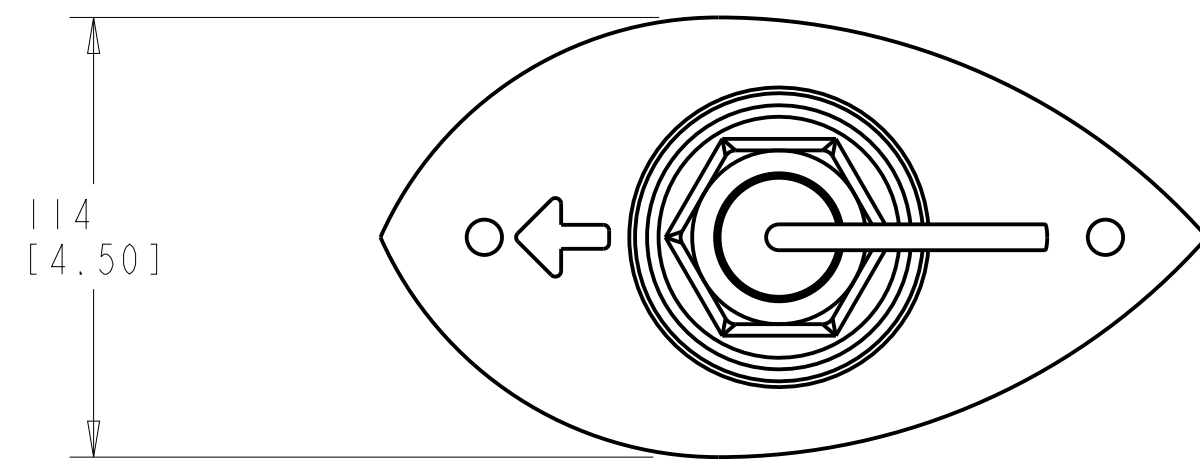
PART NUMBER N/A P/N REV

UNLESS OTHERWISE SPECIFIED	SIGNATURE	DATE
DIMENSIONS ARE IN MM	DRAWN: B. THOMPSON	03/19/19
TOLERANCES ON	CHECKED: E. BEISWENGER	03/26/19
0 PL DECIMALS: ±2		
1 PL DECIMALS: ±0.5		
ANGLES: ±1/2°		
FRACTIONS: ±1/16		

AIRMAR		AIRMAR TECHNOLOGY CORPORATION 35 MEADOWBROOK DR. MILFORD, NH 03055-4613 USA TEL: 603-673-9570 FAX: 603-673-4624	
TITLE B260, B265, B275, SS260 OUTLINE DRAWING			
MATERIAL HOUSING, NUT, HARDWARE: SEE TABLE ACOUSTIC WINDOW: URETHANE FAIRING: IMPACT RESISTANT PLASTIC	SIZE D	SCALE: 1/2 SHEET 1 OF 2	DOC NUMBER D-18033 DOC REV 1

THIS DOCUMENT AND THE DATA DISCLOSED HEREIN OR HERewith IS NOT TO BE REPRODUCED, USED, OR DISCLOSED IN WHOLE OR IN PART TO ANYONE WITHOUT THE PERMISSION OF AIRMAR.

CRITICAL DIMENSION (REF) DO NOT SCALE DRAWING



PART NUMBER	N/A	P/N REV
-------------	-----	---------

AIRMAR AIRMAR TECHNOLOGY CORPORATION
 35 MEADOWBROOK DR.
 MILFORD, NH 03055-4613 USA
 TEL: 603-673-9570 FAX: 603-673-4624

TITLE B260, B265, B275, SS260
 OUTLINE DRAWING

SIZE	SCALE: 1/2	DOC NUMBER	DOC REV
D	SHEET 2 OF 2	D-18033	1

THIS DOCUMENT AND THE DATA DISCLOSED HEREIN OR HEREWITH IS NOT TO BE REPRODUCED, USED, OR DISCLOSED IN WHOLE OR IN PART TO ANYONE WITHOUT THE PERMISSION OF AIRMAR.

CRITICAL DIMENSION

(REF)

DO NOT SCALE DRAWING