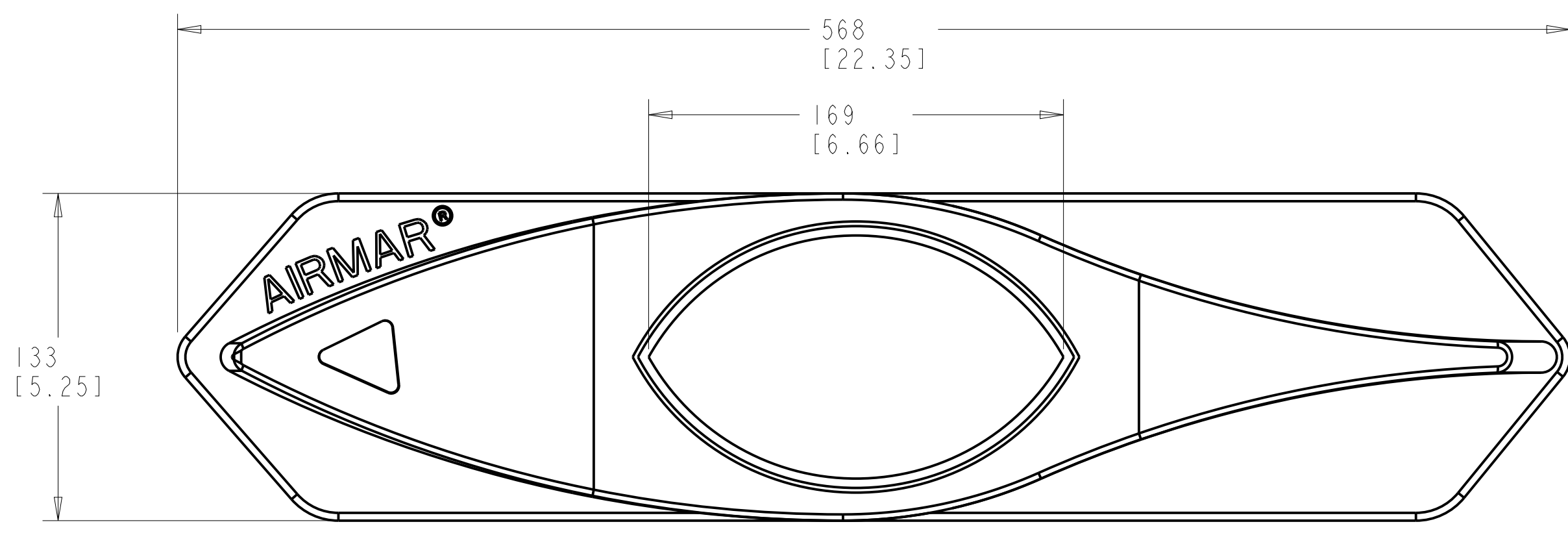
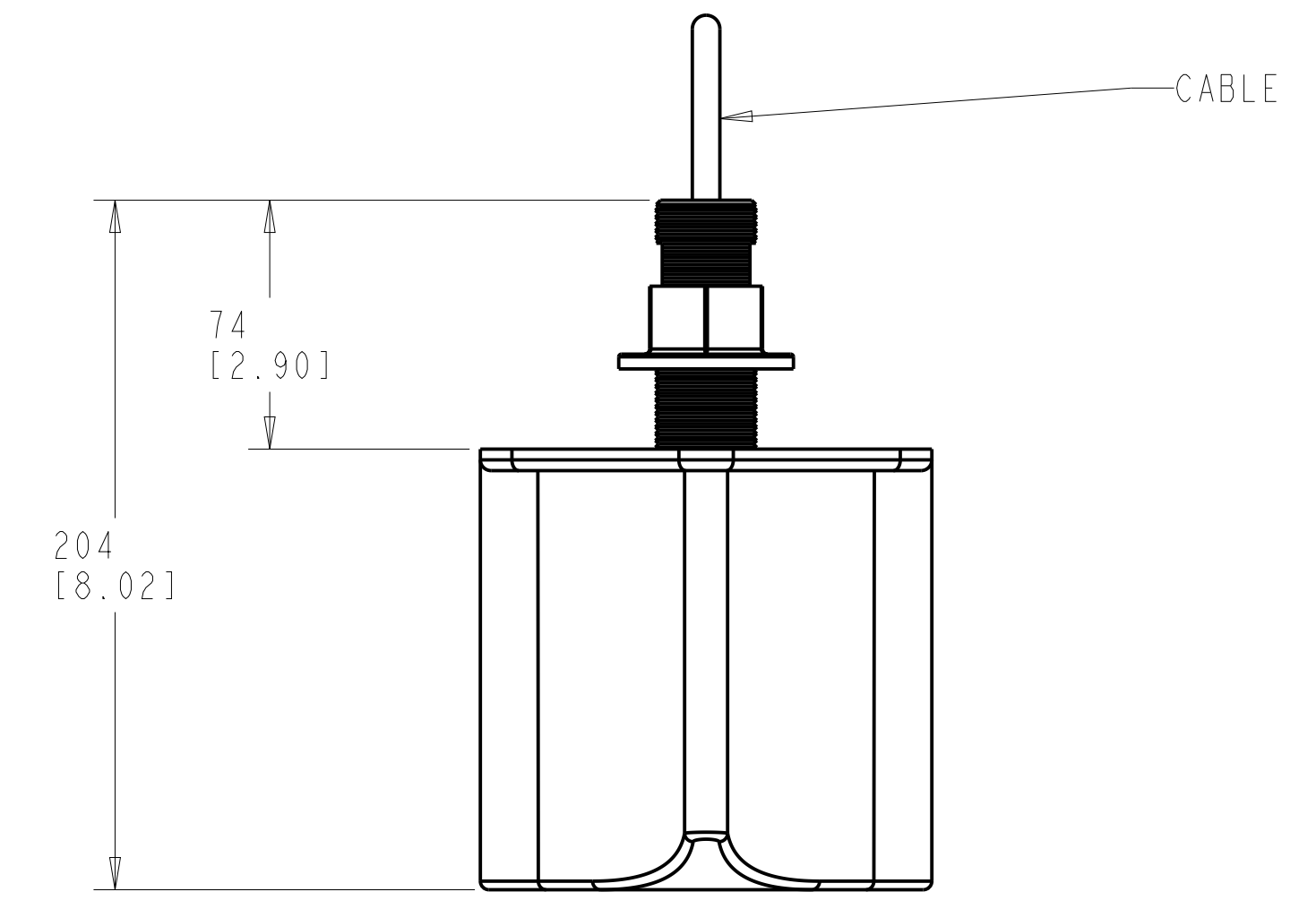
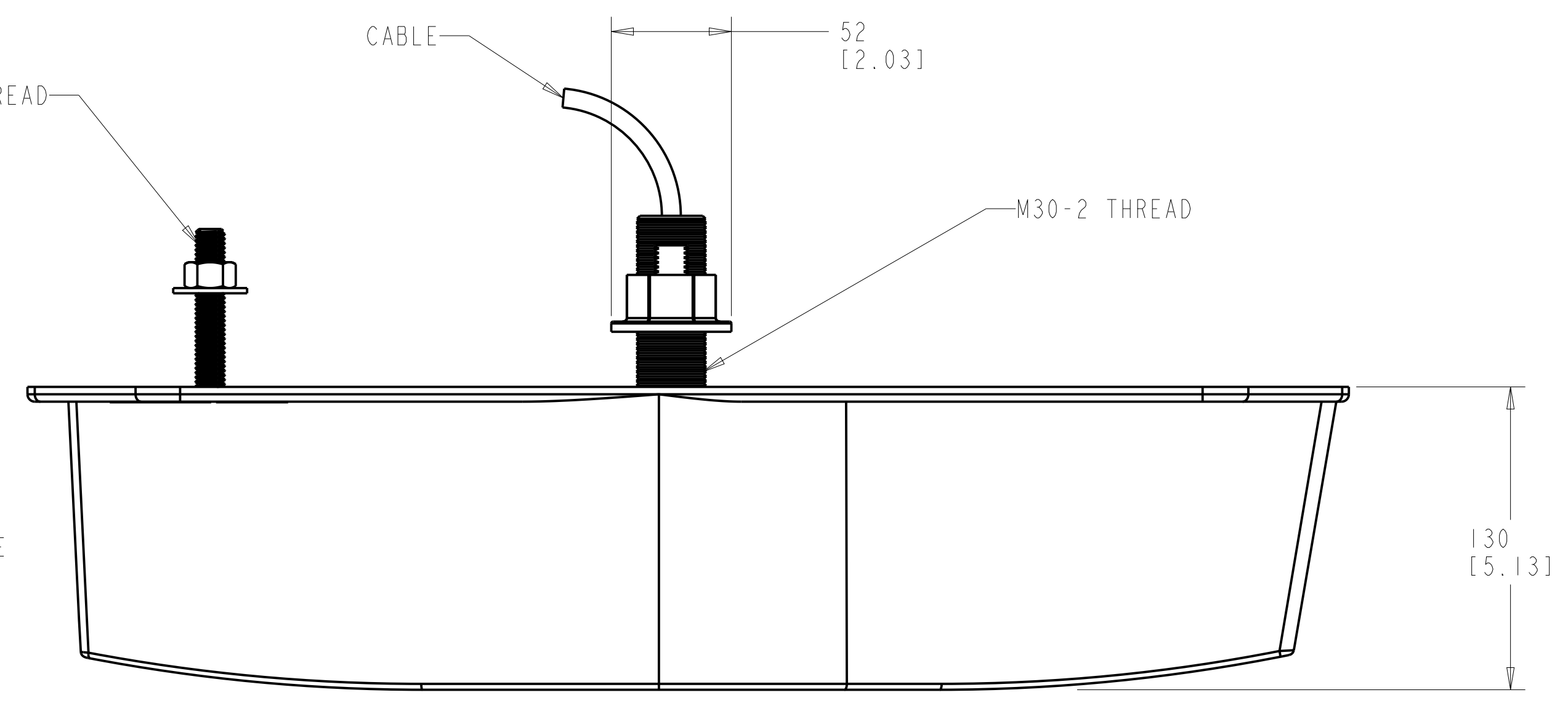
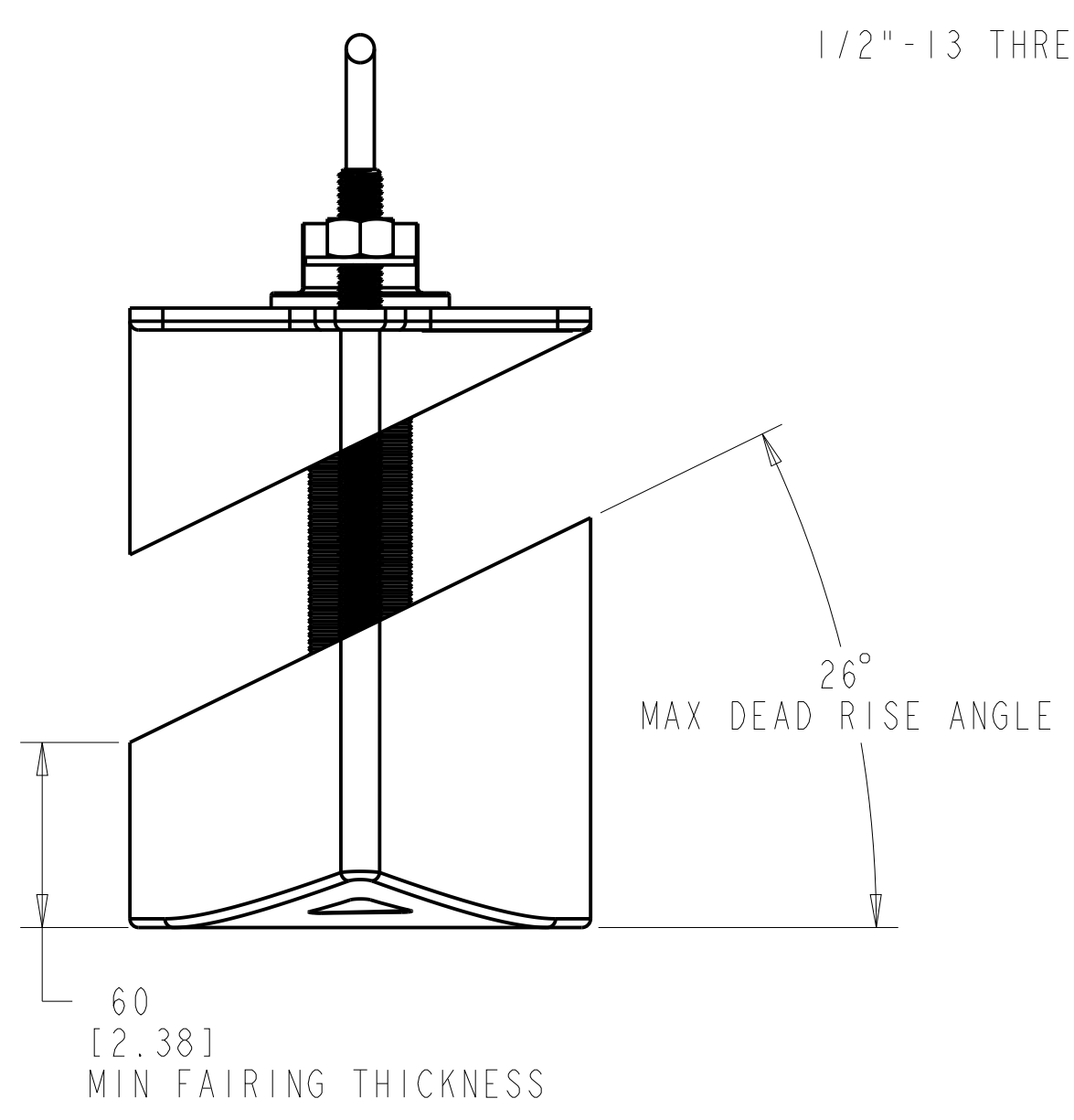
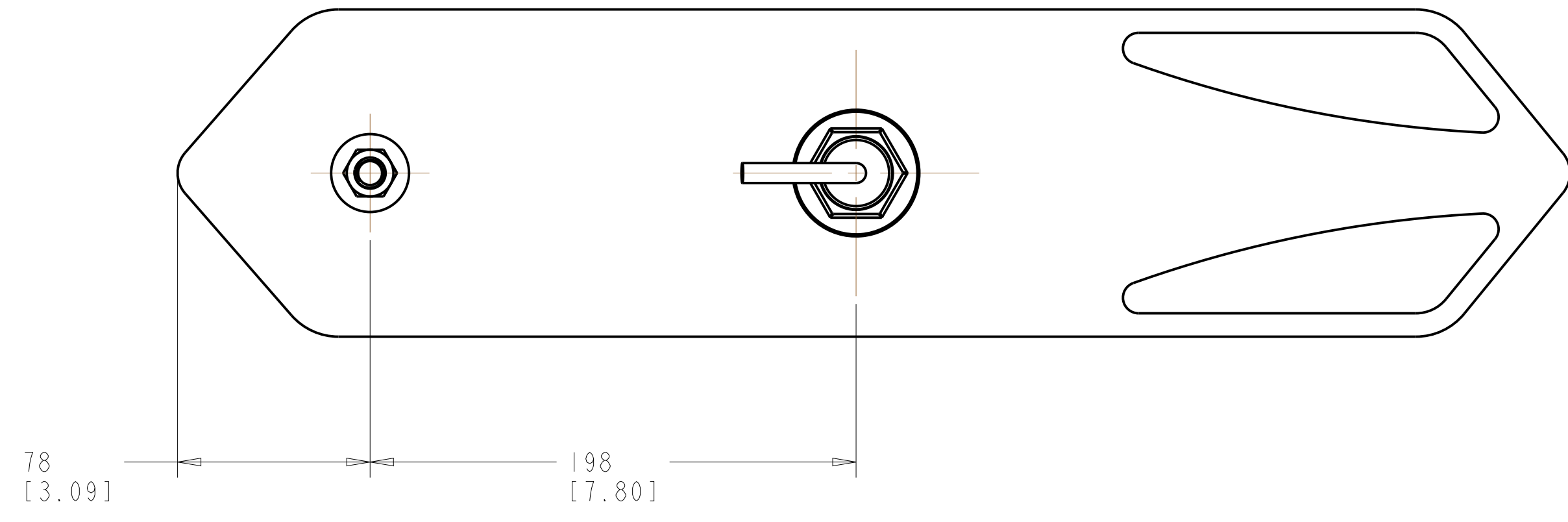


THIRD ANGLE PROJECTION		DOCUMENT REVISIONS		
REV	DESCRIPTION	CO. NO.	DATE	CHG/CHK
1	INITIAL RELEASE	2437	02/25/21	--

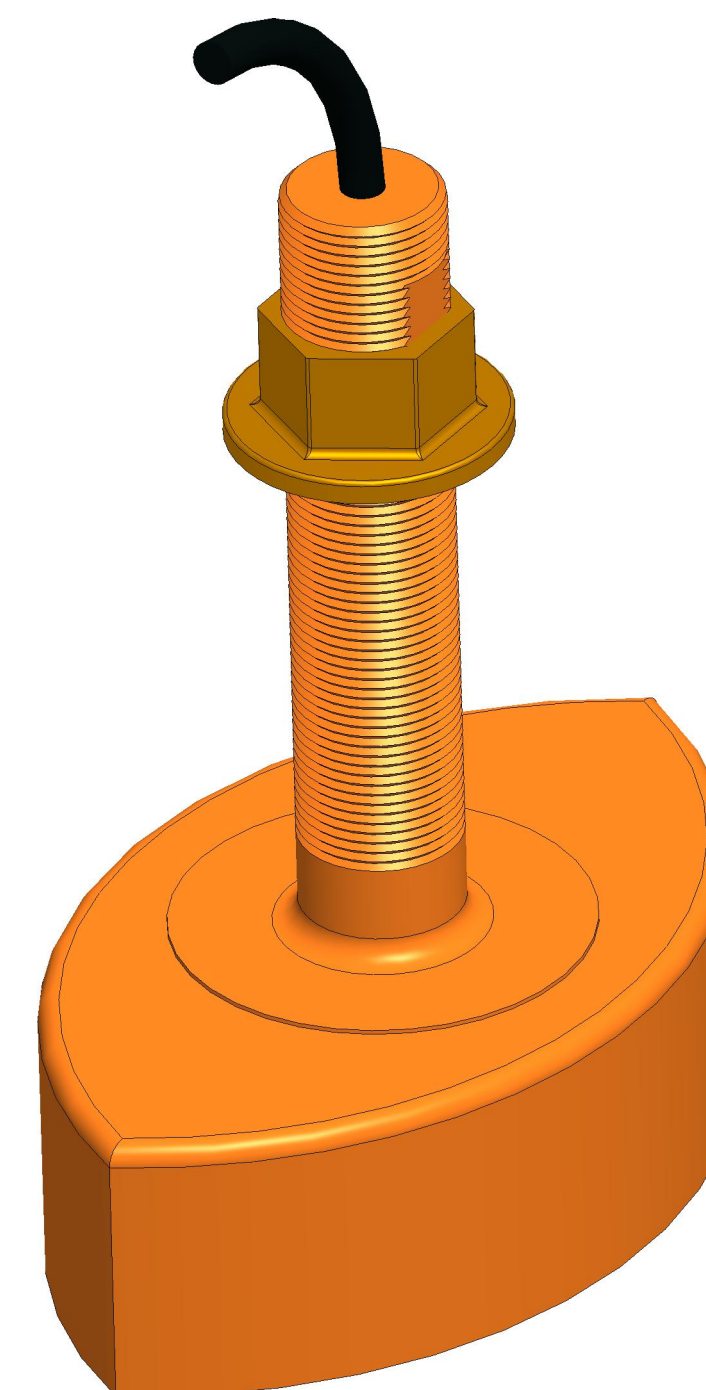
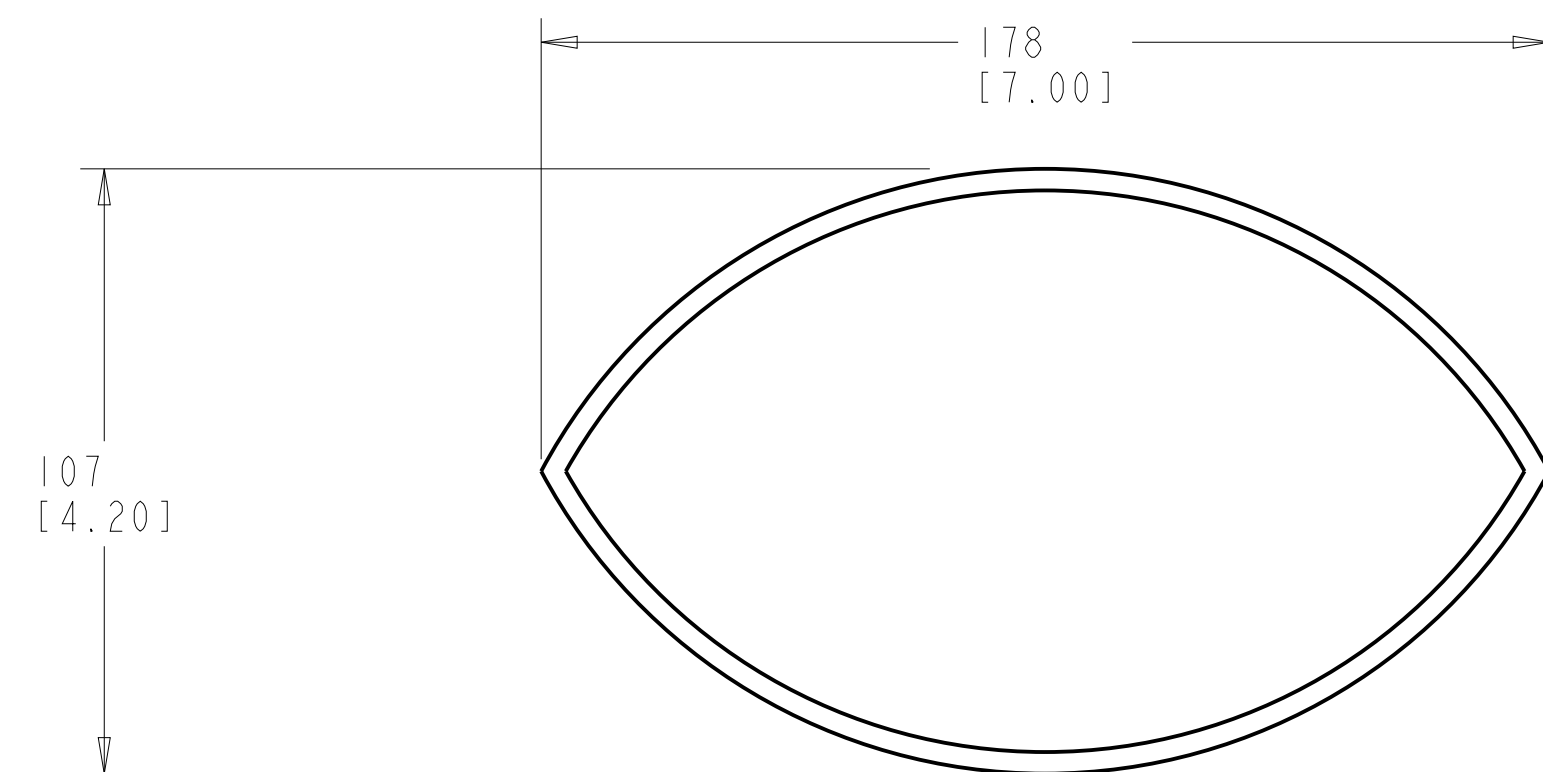
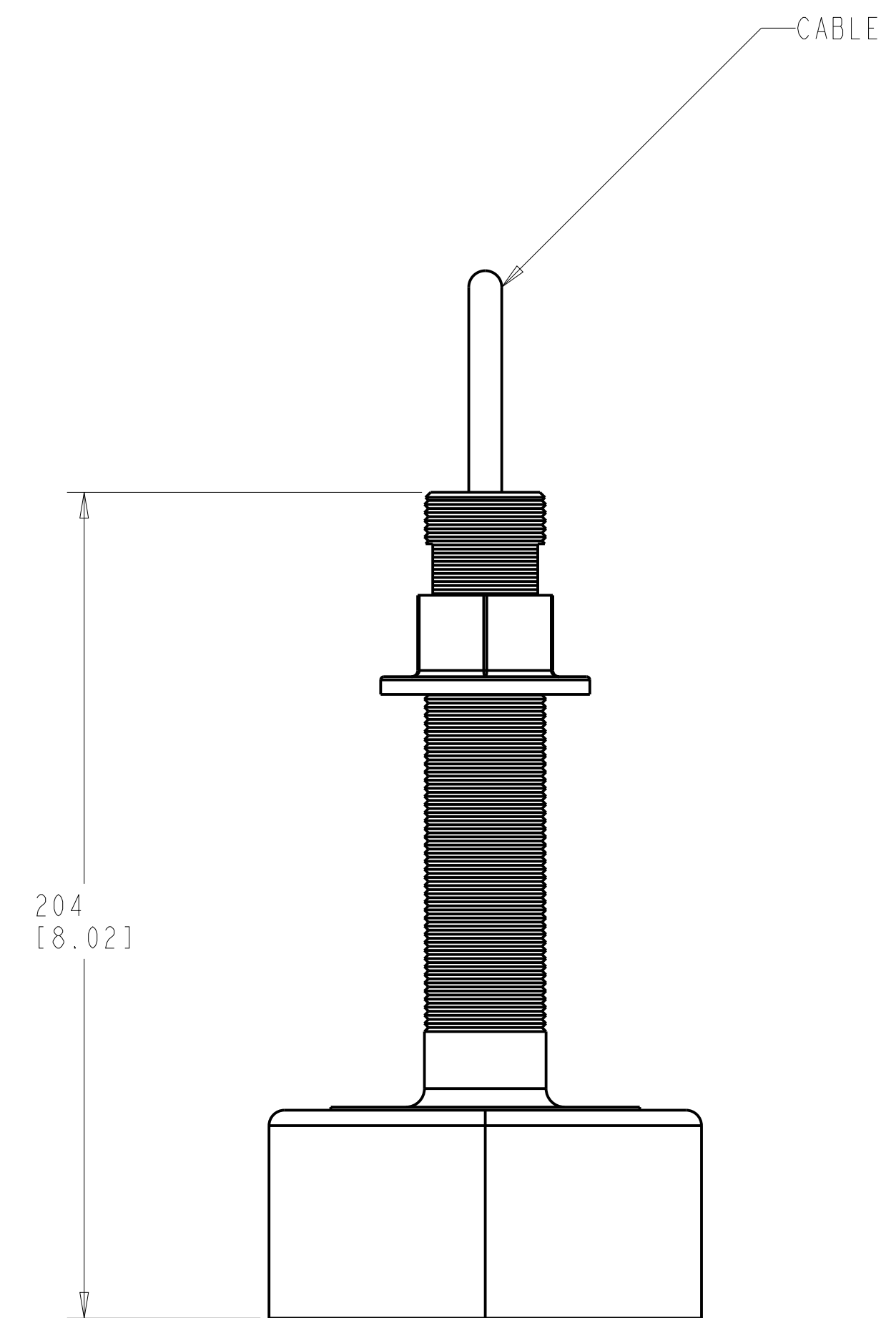
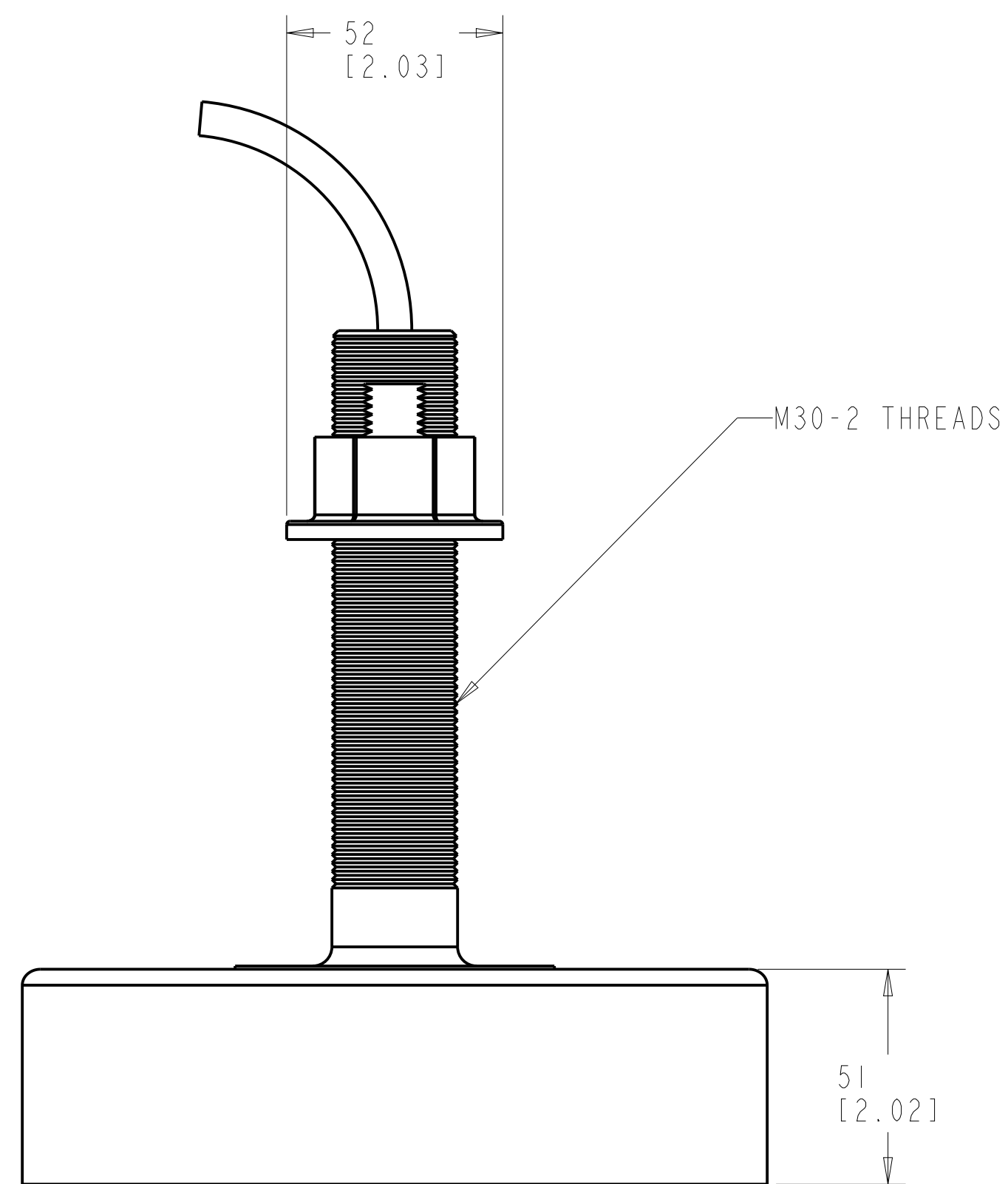


UNLESS OTHERWISE SPECIFIED	SIGNATURE	DATE
DIMENSIONS ARE IN MM	DRAWN: D. SPALDING	05/25/18
TOLERANCES ON	CHECKED: E. BEISWENGER	08/21/18
0 PL DECIMALS: ±2		
1 PL DECIMALS: ±0.5		
ANGLES: ±1/2°		
FRACTIONS: ±1/16		
MATERIAL	HOUSING, NUT, HARDWARE: BRONZE ACOUSTIC WINDOW: URETHANE FAIRING: IMPACT RESISTANT PLASTIC	

PART NUMBER		P/N REV	
N/A		N/A	
AIRMAR AIRMAR TECHNOLOGY CORPORATION 35 MEADOWBROOK DR. MILFORD, NH 03055-4613 USA TEL: 603-673-9570 FAX: 603-673-4624			
TITLE		DOC NUMBER	
OUTLINE DRAWING B258 & B285		D-14059	
SIZE	SCALE: 1/2	DOC REV	
D	SHEET 1 OF 2	1	

THIS DOCUMENT AND THE DATA DISCLOSED HEREIN OR HERewith IS NOT TO BE REPRODUCED, USED, OR DISCLOSED IN WHOLE OR IN PART TO ANYONE WITHOUT THE PERMISSION OF AIRMAR.

CRITICAL DIMENSION (REF) DO NOT SCALE DRAWING



PART NUMBER	N/A	P/N REV	N/A
-------------	-----	---------	-----

AIRMAR AIRMAR TECHNOLOGY CORPORATION
 35 MEADOWBROOK DR.
 MILFORD, NH 03055-4613 USA
 TEL: 603-673-9570 FAX: 603-673-4624

TITLE
 OUTLINE DRAWING
 B258 & B285

SIZE	SCALE: 3/4	DOC NUMBER	DOC REV
D	SHEET 2 OF 2	D-14059	1

THIS DOCUMENT AND THE DATA DISCLOSED HEREIN OR HEREWITH IS NOT TO BE REPRODUCED, USED, OR DISCLOSED IN WHOLE OR IN PART TO ANYONE WITHOUT THE PERMISSION OF AIRMAR.

CRITICAL DIMENSION (REF) DO NOT SCALE DRAWING