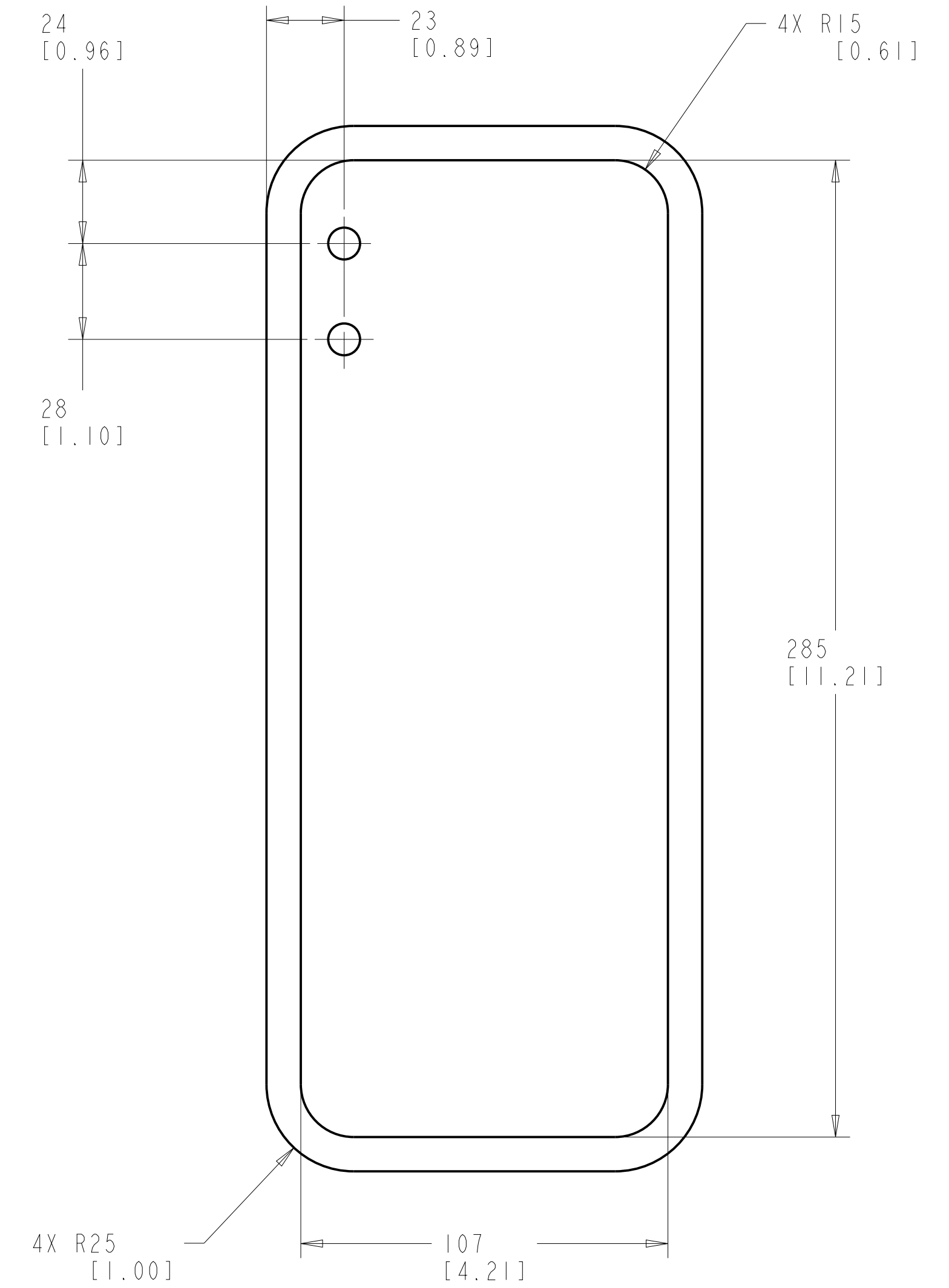
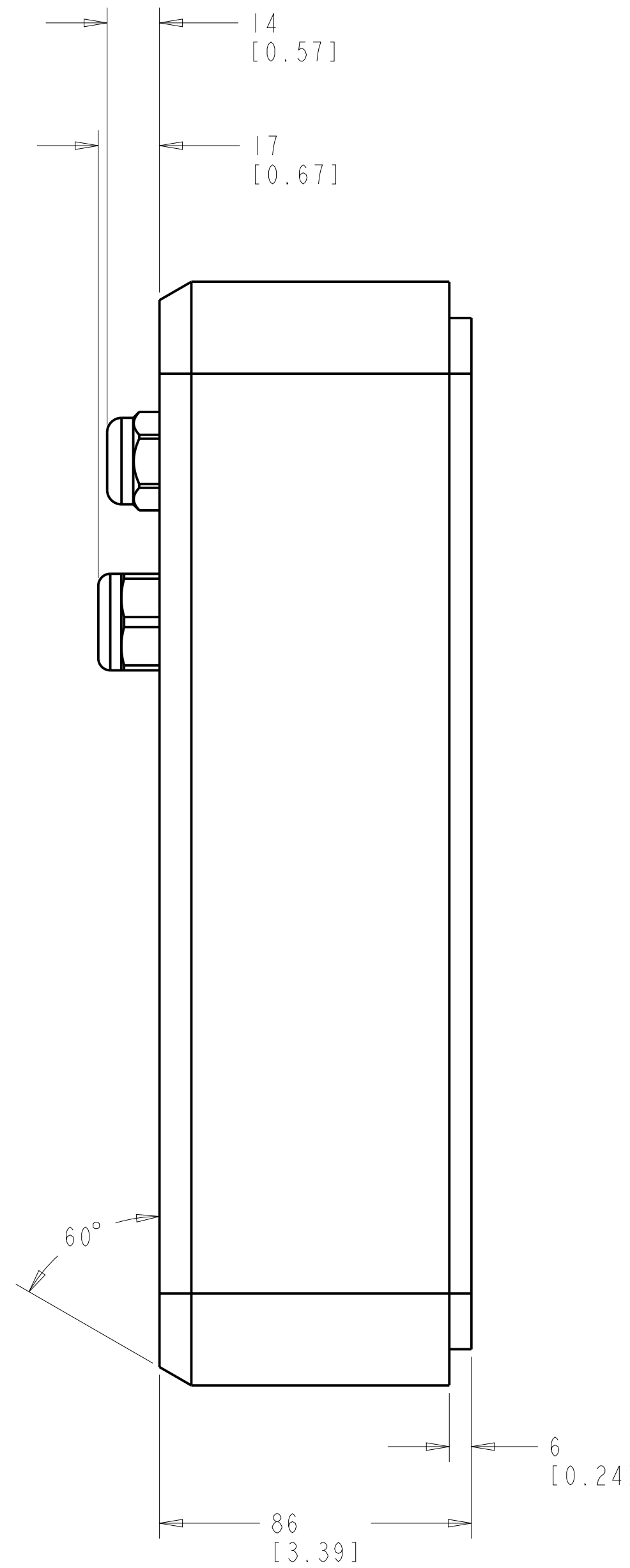
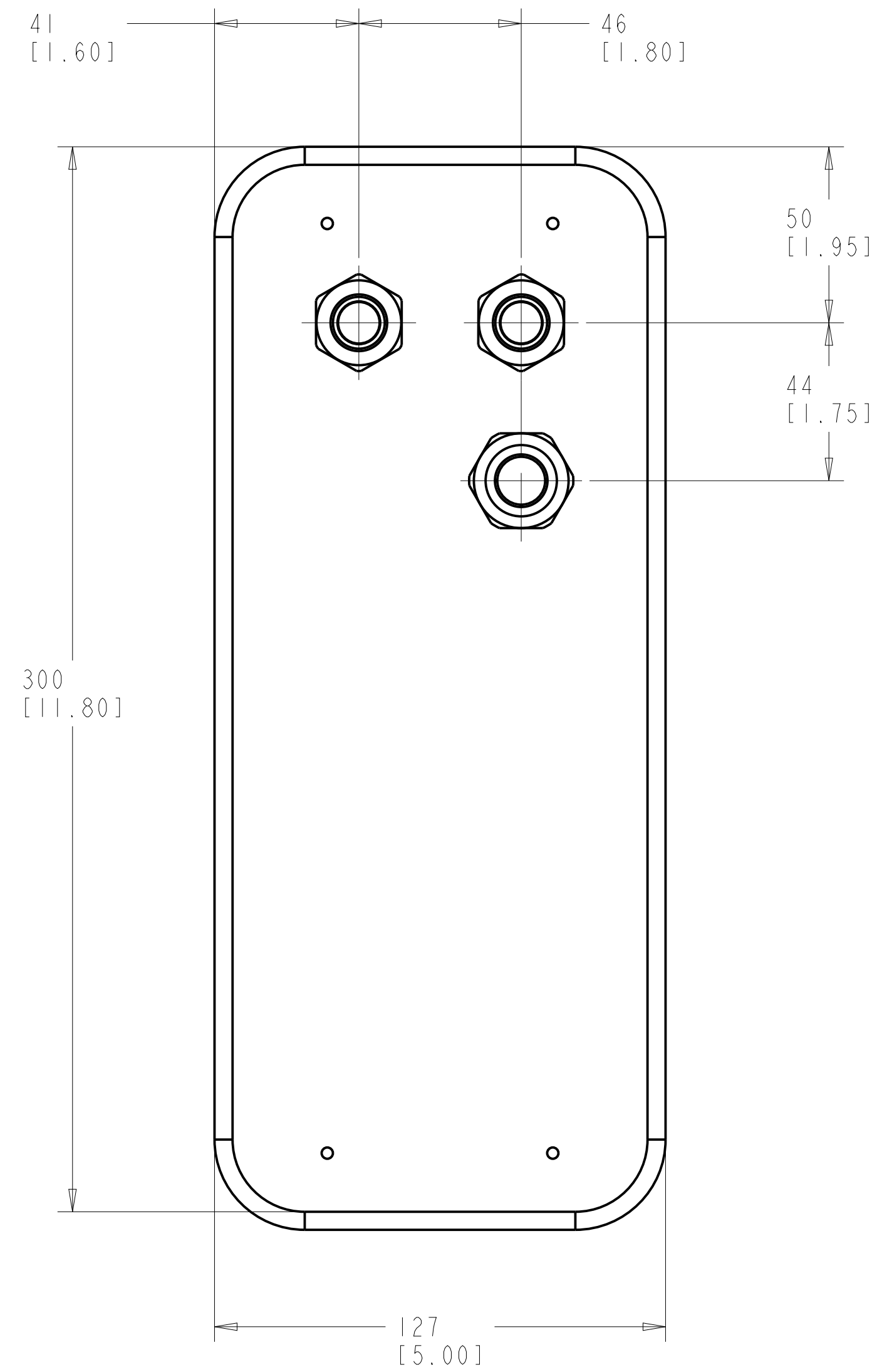


THIRD ANGLE PROJECTION		REVISIONS		
REV	DESCRIPTION	ECO NO.	DATE	CHG/CHK
1	INITIAL RELEASE	--	--	--



PART NUMBER  
N/A

UNLESS OTHERWISE SPECIFIED	SIGNATURE	DATE
DIMENSIONS ARE IN MM (IN)	DRAWN: B. THOMPSON	03/26/18
TOLERANCES ON	CHECKED: E. BEISWENGER	03/27/18
0 PL DECIMALS: ±1		
1 PL DECIMALS: ±0.5		
ANGLES: ±1/2°		
FRACTIONS: ±1/16		

**AIRMAR** AIRMAR TECHNOLOGY CORPORATION  
35 MEADOWBROOK DR.  
MILFORD, NH 03055-4613 USA  
TEL: 603-673-9570 FAX: 603-673-4624

MATERIAL	N/A	SIZE	SCALE: 3/4	DOC NUMBER	DOC REV
		D	SHEET 1 OF 1	D-17607	1

TITLE  
OD CM548 DFF-3D FURUNO

THIS DOCUMENT AND THE DATA DISCLOSED HEREIN OR HEREWITH IS NOT TO BE REPRODUCED, USED, OR DISCLOSED IN WHOLE OR IN PART TO ANYONE WITHOUT THE PERMISSION OF AIRMAR.

CRITICAL DIMENSION (REF) DO NOT SCALE DRAWING