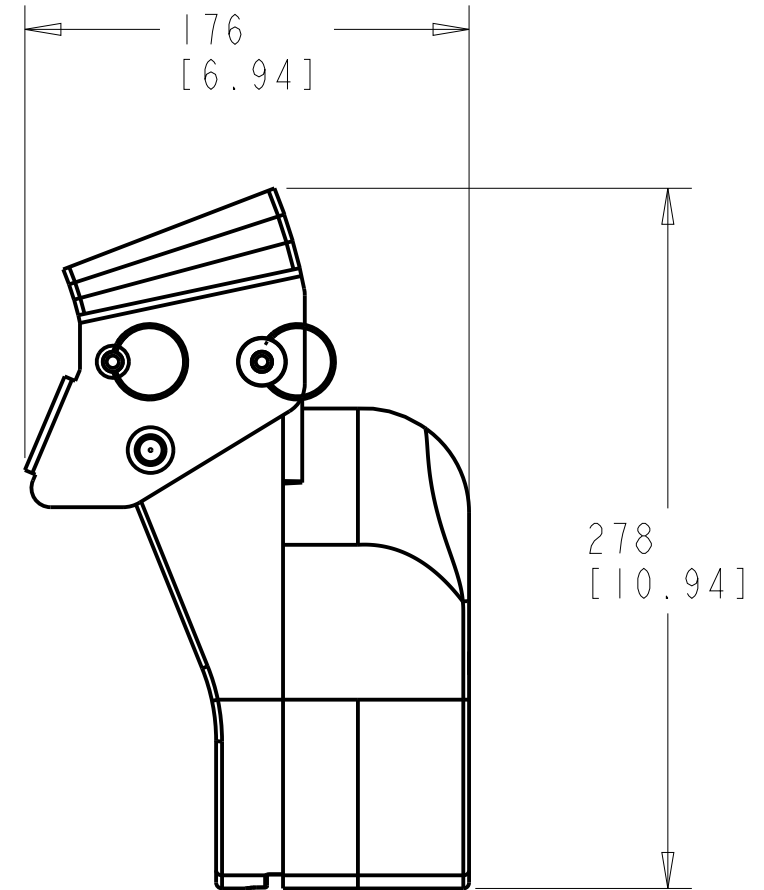
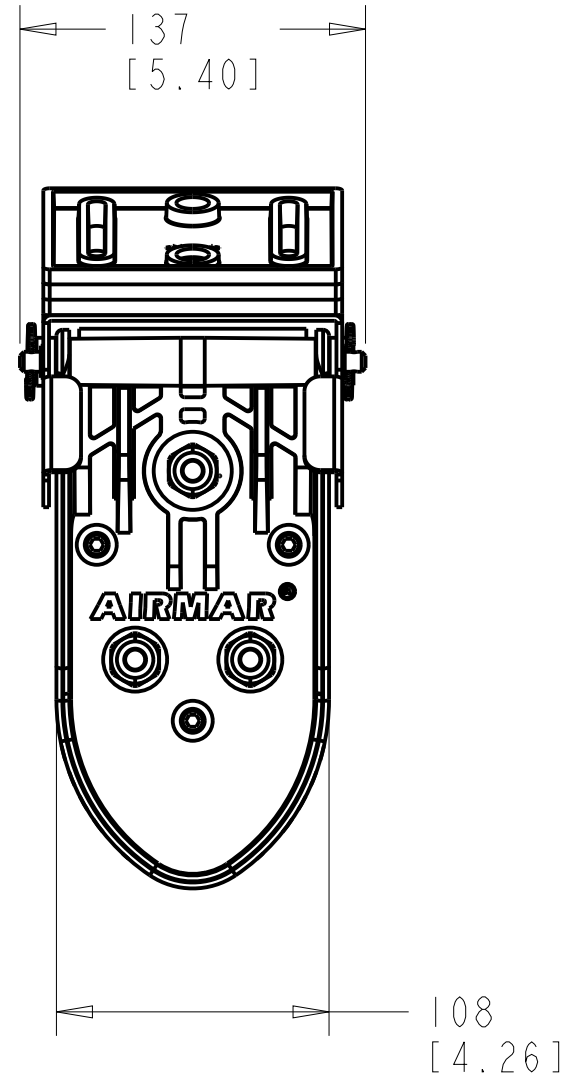


THIRD ANGLE PROJECTION		REVISIONS			
	REV	DESCRIPTION	ECO NO	DATE	CHG/CHK
	A	PRELIMINARY RELEASE	--	09/14/17	BVT/EJB



UNLESS OTHERWISE SPECIFIED DIMENSIONS ARE IN MM [IN] TOLERANCES ON 0 PL DECIMALS: ±1 1 PL DECIMALS: ±0.5 ANGLES: ±1/2° FRACTIONS: ±1/16	SIGNATURE	DATE	<b>AIRMAR</b> AIRMAR TECHNOLOGY CORPORATION 35 MEADOWBROOK DR MILFORD NH 03055-4613 USA TEL: 603-673-9570 FAX: 603-673-4624
	DRAWN: B. THOMPSON	09/14/17	
	CHECKED: E. BEISWENGER	09/15/17	TITLE
			OUTLINE DRAWING TM260 DFF-3D, FURUNO
MATERIAL	N/A		SIZE B SCALE: 1/3 NUMBER 92-320-01 REV A SHEET 1 OF 1