

SC-30

SATELLITE COMPASS



Revolutionary 2-antenna satellite compass highly accurate attitude data to navigate

The SC-30 satellite compass provides highly accurate attitude information for navigation equipment such as radar, plotter, autopilot, AIS, fish finder and sonar. It can be used for a wide range of applications on any type of vessel. The SC-30 comes with a compact GPS antenna a built-in processor. This all-in-one system delivers incredibly accurate heading and roll & pitch information as well as heaving information, GPS position, SOG (Speed Over Ground), COG (Course Over Ground) and ROT (Rate Of Turn) data. Employing a two-antenna system with a 3-axis rate gyro and acceleration sensors, the SC-30 enables high-speed response capability. Advanced digital signal processing techniques compute accurate heading based on sensor data. CAN bus interface is standard for simple installation, while the optional interface unit IF-NMEASC is available for conventional NMEA0183, AD-10 and contact closure.



- ▶ Stylish design to complement the appearance of recreational boats
- ▶ All-in-one system for simple, space-saving installation
- ▶ Heading accuracy of 0.5° RMS
- ▶ Short start-up time of 3 minutes
- ▶ Excellent follow-up rate of 45° for high speed craft
- ▶ Free from regular maintenance
- ▶ CAN bus interface standard

ass provides
ion systems.

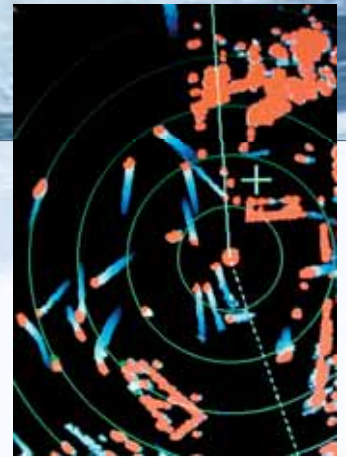


R A D A R

NavNet TZtouch/
NavNet 3D/NavNet vx2/
FR-8002 series/etc

True Motion Echo Trail

True echo trail is available when the SC-30 is connected to FURUNO radar. True echo trails are helpful for determining own ship's movement as well as that of other vessels. Heading accuracy and sensing speed ensures that trails are displayed in smooth lines.



F I S H F I N D E R

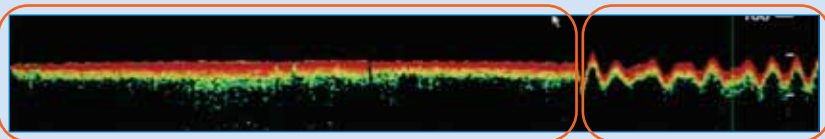
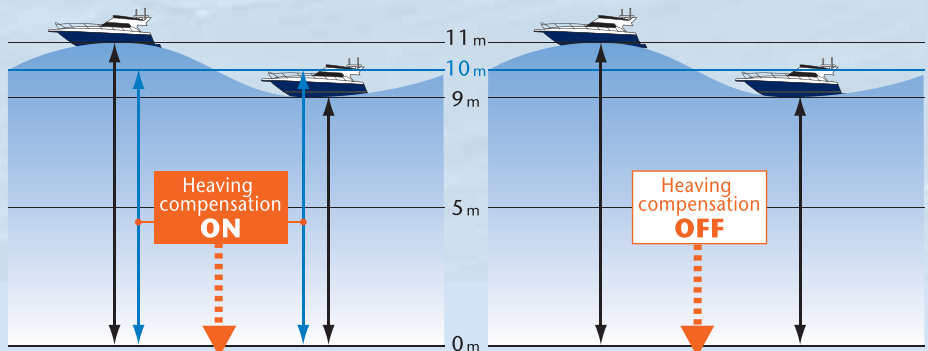
NavNet TZtouch/NavNet 3D/FCV-30/FCV-1200/etc

Heaving Compensation ON

In rough sea conditions, the SC-30 provides compensation data to fish finder systems to present a display free from undulations due to vessels heaving.

Heaving Compensation OFF

The bottom and fish echoes appear to be wavering due to heaving of the vessel even though the seabed is flat.



SC-30
SATELLITE COMPASS

/s exceeds requirements

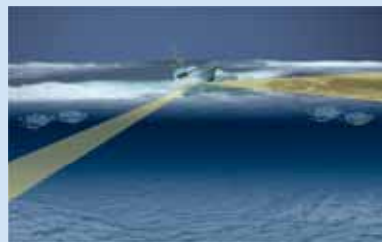
S O N A R

FSV-85/FSV-35/CH-300/CH-270/CH-250/CSH-5L/etc

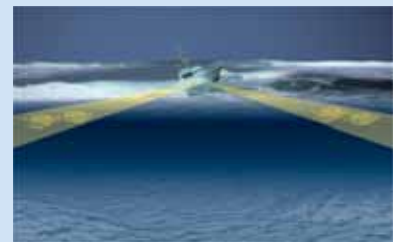
Pitch And Roll Compensation

The Pitch and Roll compensation data allows FURUNO sonar systems to display an unwavering presentation and facilitates stable detection, even in foul weather conditions.

Beam Stabilizer OFF



Beam Stabilizer ON



SPECIFICATIONS OF SC-30

1. Accuracy

Attitude (Heading/Pitch/Roll)	0.5° RMS
GPS	10 m (95%)
WAAS	3 m (95%)

2. Follow-up

45°/s rate-of-turn

3. Settling time

3 min

4. Interface

Number of ports

SC-30:	1 port in CAN bus
IF-NMEASC:	2 ports in IEC 61162-1
(option)	1 port in AD-10
	1 port in Analog

Serial data sentence

25, 100, 200 ms, 1, 2 s data rate:
HDT, HDG, HVE, HDM (Heading), ATT (Pitch and Roll)

1, 2 s data rate:
VTG, GGA, ZDA(UTC), RMC

5. Receiver Type

Twelve discrete channels, SBAS 1 ch
C/A code, all-in-view

6. Receive Freq

L1 (1575.42 MHz)

POWER SUPPLY

12-24 VDC
(SC-30: Load Equivalency MAX 10 (= 500 mA))

ENVIRONMENT

Temperature

SC-30:	-25°C to +70°C
IF-NMEASC:	-15°C to +55°C

Waterproofing

SC-30:	IEC60529 IP56
IF-NMEASC:	IEC60529 IP20

EQUIPMENT LIST

Standard

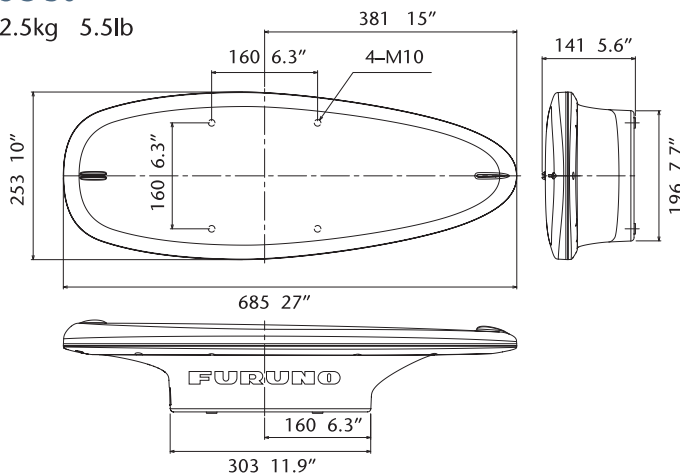
1. Antenna Unit SC-30 with 6m cable 1 unit
2. Installation materials

Option

1. Interface Unit IF-NMEASC
2. Cable Assembly MJ-A10 SPF 0015 15 m/30 m
3. Cable Assembly MJ-A10 SPF 0017 15 m/30 m (Micro C/PWR)
4. Bird-Repellent Fixture OP20-36

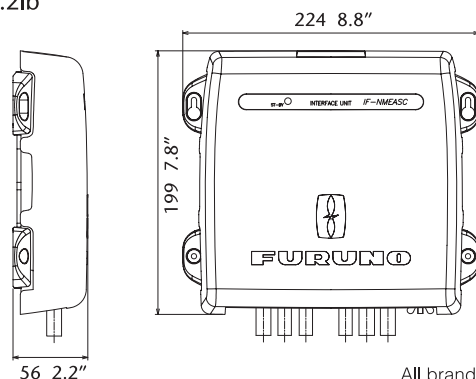
Sensor Unit SC-30

2.5kg 5.5lb



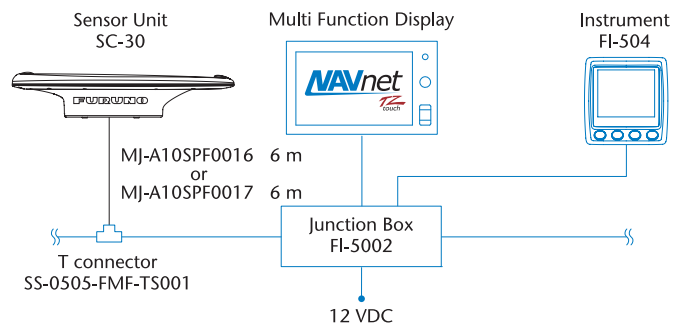
Interface Unit IF-NMEASC (Option)

1.0kg 2.2lb

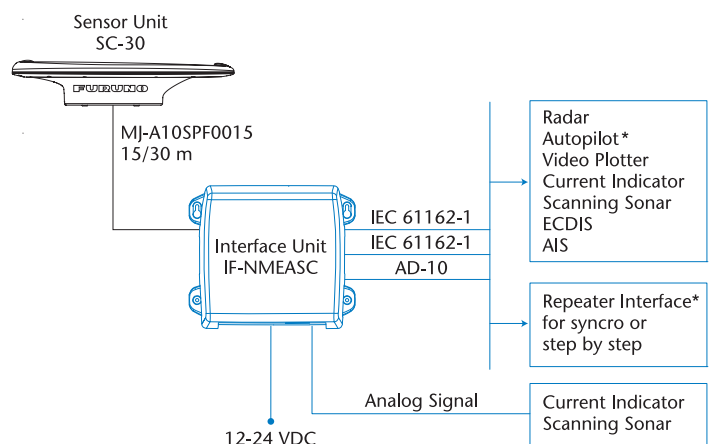


INTERCONNECTION DIAGRAM

CAN bus



NMEA 0183



* For further info, contact our depot
— option or local supply

All brand and product names are registered trademarks, trademarks or service marks of their respective holders.
SPECIFICATIONS SUBJECT TO CHANGE WITHOUT NOTICE

FURUNO ELECTRIC CO., LTD.

Nishinomiya, Hyogo, Japan
www.furuno.com

FURUNO U.S.A., INC.

Camas, Washington, U.S.A.
www.furunousa.com

FURUNO (UK) LIMITED

Havant, Hampshire, U.K.
www.furuno.co.uk

FURUNO FRANCE S.A.S.

Bordeaux-Mérignac, France
www.furuno.fr

FURUNO ITALIA S.R.L.

Gatteo Mare, Italy
www.furuno.it

FURUNO ESPAÑA S.A.

Madrid, Spain
www.furuno.es

FURUNO DANMARK A/S

Hvidovre, Denmark
www.furuno.dk

FURUNO NORGE A/S

Ålesund, Norway
www.furuno.no

FURUNO SVERIGE AB

Västra Frölunda, Sweden
www.furuno.se

FURUNO FINLAND OY

Espoo, Finland
www.furuno.fi

FURUNO POLSKA Sp. z o.o.

Gdynia, Poland
www.furuno.pl

FURUNO EURUS LLC

St. Petersburg, Russian Federation
www.furuno.ru

FURUNO SINGAPORE

Singapore
www.furuno.sg

FURUNO DEUTSCHLAND GmbH

Rellingen, Germany
www.furuno.de

FURUNO HELLAS S.A.

Piraeus, Greece
www.furuno.gr

FURUNO (CYPRUS) LTD

Limassol, Cyprus
www.furuno.com.cy

FURUNO SHANGHAI CO., LTD.

Shanghai, China
www.furuno.com/cn