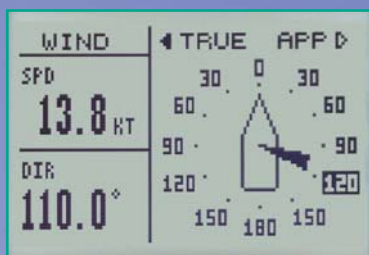


## Navigational data organizer **REMOTE DISPLAY UNIT**

Model **RD-30**



**Speedometer**



**Anemometer**



- Organizes operation of GPS, VideoPlotter, radar, echo sounder, etc. for user's preference
- NMEA 0183 or IEC 61162-1 digital interface
- Positive display of own ship position, speed, course, water temperature, depth, speed and direction of current and wind
- AIRMAR Smart Sensor™ providing water temperature, water depth and speed relative to water
- Audible alarms for course error, ship speed, cross track error, temperature, depth, arrival
- High contrast 4.5" Silver Bright LCD display, night and day light viewable

The RD-30 is a navigational data organizer that allows the operator to select the preferred display from interfaced equipment such as GPS, VideoPlotter, Radar and echo sounder, autopilot and various sensors for water temperature, tide and wind.

The compact, high contrast Silver Bright 4.5" LCD may be installed in a limited space, remote from its source.

Five display modes are available including Speedometer, Highway and Text. The text mode presents up to four of the most necessary types of data. The display layout can be customized for your specific needs.

AIRMAR Smart Sensor™ is available. It contains the functionality of measuring water temperature, water depth, speed relative to water, and NMEA interface all in one and is connected to the RD-30 with a single cable.

# SPECIFICATIONS OF RD-30

## 1. Display Unit

4.5-inch monochrome LCD (8 gray tones)  
120 (V) x 64 (H) pixels

## 2. Display Mode

Highway, Graphical, Speedometer, Text mode, Anemometer

## 3. Alarm

Water temp, Depth, Speed, Time, Anchor watch, Distance run, Cross track error

## 4. Correction

Manual correction for Water temp, Depth, Speed, Wind

## 5. Interface Input/Output (NMEA 0183)

BWR, CUR, DBK, DBS, DBT, GGA, GLC, GLL, GTD, HDG, HDT, HDM, MDA, MTW, MWV, RMB, RMC, ROT, VBW, VDR, VTG, VHW, VWT, VWR, ZDA

## 6. Power supply

12-24 VDC, 200-105 mA

## EQUIPMENT LIST

### Standard

- |  |        |
|--|--------|
| 1. Display Unit RD-30                              | 1 unit |
| 2. Standard Spare Parts and Installation Materials | 1 set  |

### Option

1. Flush mount kit for display  
S type (OP20-17), F type (OP20-18/29)
2. Extension Cable for sensor  
MJ-A7SPF/SRMD-100

## ENVIRONMENT

**Climatic and EMC:** IEC 60945

### Waterproofing

IPX5 (IEC 60529), CFR-46 (USCG)

## Lineup of AIRMAR Smart Sensor™

Type	Remarks
235DT-MSE	Depth & Temperature Sensor
235DT-PSE	Depth & Temperature Sensor
235DST-PWE	Depth, Speed and Temperature Sensor
235DHT-LMSE	Depth & High Precision Temperature Sensor
235DHT-MSE	Depth & High Precision Temperature Sensor

Smart Sensor™ is a trade mark of AIRMAR, registered in U.S. and other country.

### FURUNO ELECTRIC CO., LTD.

Nishinomiya, Hyogo, Japan  
Phone: +81 (0)798 65-2111  
Fax: +81 (0)798 65-4200, 66-4622

### FURUNO U.S.A., INC.

Camas, Washington, U.S.A.  
Phone: +1 360-834-9300  
Fax: +1 360-834-9400

### FURUNO (UK) LIMITED

Havant, Hampshire, U.K.  
Phone: +44 23 9244 1000  
Fax: +44 23 9248 4316

### FURUNO FRANCE S.A.S.

Bordeaux-Mérignac, France  
Phone: +33 5 56 13 48 00  
Fax: +33 5 56 13 48 01

### FURUNO ESPAÑA S.A.

Madrid, Spain  
Phone: +34 91-725-90-88  
Fax: +34 91-725-98-97

### FURUNO DANMARK AS

Hvidovre, Denmark  
Phone: +45 36 77 45 00  
Fax: +45 36 77 45 01

### FURUNO NORGE A/S

Ålesund, Norway  
Phone: +47 70 102950  
Fax: +47 70 102951

### FURUNO SVERIGE AB

Västra Frölunda, Sweden  
Phone: +46 31-7098940  
Fax: +46 31-497093

### FURUNO FINLAND OY

Espoo, Finland  
Phone: +358 9 4355 670  
Fax: +358 9 4355 6710

### FURUNO POLSKA Sp. Z o.o.

Gdynia, Poland  
Phone: +48 58 669 02 20  
Fax: +48 58 669 02 21

### FURUNO DEUTSCHLAND GmbH

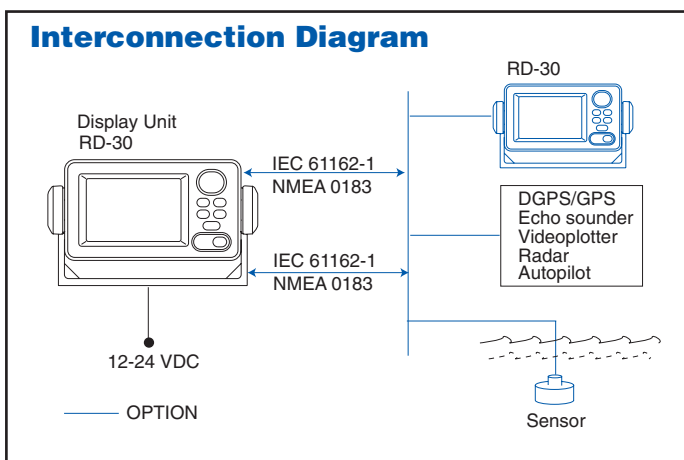
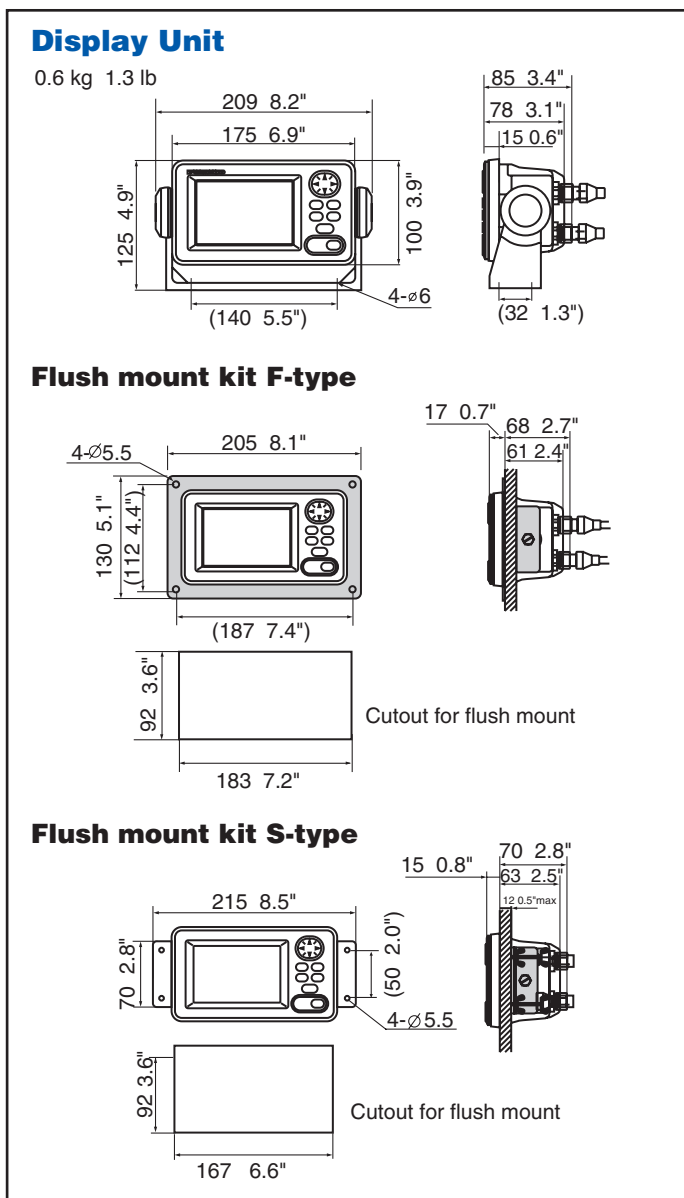
Rellingen, Germany  
Phone: +49 4101 838 0  
Fax: +49 4101 838 111

### FURUNO EURUS LLC

St. Petersburg, Russian Federation  
Phone: +7 812 767 15 92  
Fax: +7 812 766 55 52



Catalogue No. N-845f  
09023SS Printed in Japan



SPECIFICATIONS SUBJECT TO CHANGE WITHOUT NOTICE

ALL BRAND AND PRODUCT NAMES ARE REGISTERED TRADEMARKS, TRADEMARKS OR SERVICE MARKS OF THEIR RESPECTIVE HOLDERS