

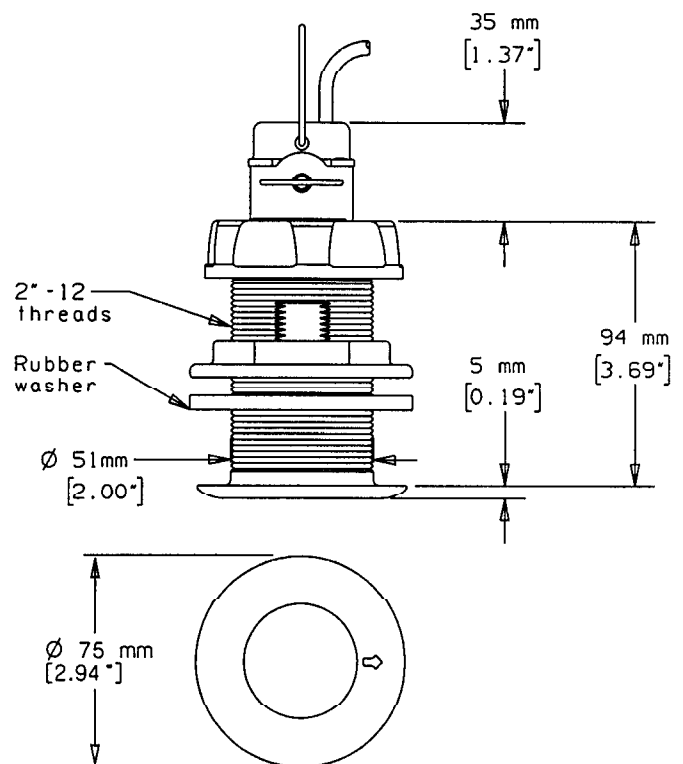
AIRMAR Product Specification

AIRMAR #44-026-2-91 FURUNO #HT-MSE

GENERAL SPECIFICATIONS

- Product description: Smart Digital High Precision Temperature Sensor
- I/O Interface Specifications:
 - Data Output Protocol: Differential NMFA 0183, v2.0
 - Data Transmission Rate: Once Per Second
 - Software Reprogrammability: Yes, via MNEA data lines.
 - Temperature Data String:
\$YXMTW,x.xx,C*hh<CR><LF>
- Electrical:
 - Supply voltage: 8.4 -31.2 VDC
 - Supply current: 15mA maximum
- Temperature sensor: AIRMAR #07-717-01
 - Description: High Precision Thermistor
 - Nominal resistance value: 10,000 ohms at 25°C
 - Temperature range: -10°C to +40°C
 - Temperature resolution: 0.01 degrees C
 - Temperature accuracy: 0.3°C
 - Thermal time constant: 5 seconds.
- Cable: AIRMAR #06-189-01 (C189)
 - Description: (2) shielded twisted pair with (1) overall drain wire.
 - Conductor wire size: (4) 24 AWG.
 - Drain wire size: (1) 24 AWG.
 - Shielding:
 - aluminum foil on mylar over twisted pairs (125% coverage).
 - aluminum foil on mylar overall (125% coverage).
 - Jacket material: TPR (thermoplastic rubber).
 - Insulation resistance: 100,000 ohms. (Between Wires)
 - Length: 10.0m +/-0.3m (33'+/-1')
- Connector: AIRMAR #05-431-01
 - Description: 7 pin, female, gold plated, 1mm pins, molded.
 - Contact resistance: under 10 mOhms.
- Blanking plug: AIRMAR #20-602
 - Description: Blanking plug.
 - Material: high impact chemical resistant plastic alloy.
 - Color: black.
- Operating temperature range: -10°C to 40°C (14°F to 104°F).
- Mass (weight) : 1.4 kg (3.1 lb) approx.
- Storage temperature range: -40°C to 71°C (-40°F to 160°F).
- Installation instructions: AIRMAR #17-129
- Product Identification: Waterproof label with FURUNO and Airmar part numbers on cable. The tag will have a serial number which will note the month, year and piece quantity of the product. For example: 08 01 005 08=August 01=year 2001 005=piece number five built of this product in August of 2001.
- Packing carton: AIRMAR #19-007-03.
 - Box dimensions (external): 200 mm x 150 mm x 100 mm (7.874" x 5.905" x 3.937").

- Carton markings: Label with product description and UPC code.
- Housing model: AIRMAR #02-017 (B17)
 - Description: low profile thru-hull housing, flanged nut and cap nut with retractable sensor insert.
 - Material of housing and flanged nut: bronze
 - Material of cap nut : glass reinforced, chemical resistant plastic alloy.
 - Color of housing and flanged nut: bronze.
- Water proof:
 - Sensor: IEC60529IPX8
 - Connector: IEC60529IPX5.
- Packing list:
 - Retractable insert
 - B17 housing
 - Hull nut
 - Cap nut
 - Blanking plug
 - Installation Instructions.
- Outline Drawing



AIRMAR reserves the right to change anything that will not affect the form, fit or function of this product.

These specifications are acceptable to the customer unless AIRMAR is contacted with-in thirty days from the date received.