

# FURUNO®

## Full control RADAR REMOTE DISPLAY

Model FMD-8010

- Full function remote radar display
- Automatic control of anti-clutter
- 12-inch daylight display
- Head-up, North-up, Course-up and True Motion
- 8-level target gradation
- Data output of cursor/target position
- 10-target E-PLOT standard
- Echo Stretch, Echo Average and True Echo Trail
- Dual Guard Zones
- Zoom function in 0.125 nm range
- Optional Auto Plotter ARP-15 with autotrack of up to 10 targets
- Optional Video Plotter RP-15 for display of chart plot and map overlay



The future today with FURUNO's electronics technology.

**FURUNO ELECTRIC CO., LTD.**

9-52 Ashihara-cho, Nishinomiya City, Japan Telephone: +81 (798) 65-2111  
Telex: 5644-325, Telefax: +81 (798) 65-4200, 66-4622, 66-4623

Catalogue No. R-156a

TRADE MARK REGISTERED  
MARCA REGISTRADA

The FURUNO FMD-8010 is an exciting new Radar Remote Display for a wide range of the FURUNO radars: Models 1831/1931/1941, FR-1400 series (X-or S-band), FR-1500 Mark-2 series, FR-7041/7061/7111, FR-8051/8111/8251, FR-2100 series (X-or S-band), FR/FAR-2805 series (X-or S-band), FCR-1400 Mark-3 series.

The FMD-8010 offers the same functions that are available on the FR-8051/8111/8251: Dual EBLs/VRMs, Offset EBL/VRM, Off-center, Zoom, Echo Trail, and E-Plot. The Guard Zone produces aural and visual alarms when a target enters the user-preset area. Two guard zones are available. The radar image is displayed clearly in 8 tones on the 12" CRT.

Head-up, North-up and Course-up modes are provided. True Motion presentation is also available with inputs of compass and speed data. Echo Trail

simulates the afterglow of targets as on a conventional PPI and helps evaluate at a glance the speed and course of an unlimited number of targets. True Echo Trail is also provided for intuitive discrimination of a moving target from fixed one.

When connected with appropriate sensors outputting data in NMEA 0183 format, the FMD-8010 displays the following information: ship's position in Lat/Lon or Loran TD's, ship's speed and course/range/bearing to the selected waypoint, XTE, and EBL readout in magnetic/true bearing. Waypoint mark can also be shown on the radar screen. The FMD-8010 outputs cursor position and radar system data in NMEA 0183 to a compatible video plotter or computer.

In addition to the above features, the optional Auto Plotter ARP-15 and Video Plotter RP-15 are available for more integrated navigation.

## SPECIFICATIONS OF FMD-8010

### RADAR CONNECTION

#### Works with:

Models 1831/1931/1941, FR-1400 series, FR-1500 Mark-2 series, FR-7041/7061/7111, FR-8051/8111/8251, FR-2100 series, FR/FAR-2805 series, FCR-1400 Mark-3 series

### DISPLAY

- 1. Display Unit** 12-inch, green phosphor CRT (8-level gradation)  
Effective diameter: 180 mm  
Pixels: 481 (H) x 640 (V) dots
- 2. Display Modes** Head-up, Course-up\*, North-up\*, True Motion\*\*  
\* Heading data required  
\*\* Speed and heading data required
- 3. Range Scales (nm)**  
Range: 0.125, 0.25, 0.5, 0.75, 1.5, 3, 6, 12, 24, 48, 96  
Ring: 0.025, 0.05, 0.1, 0.25, 0.25, 0.5, 1, 2, 4, 8, 16
- 4. Echo Trail Interval** 15 s, 30 s, 1, 3, 6, 15, 30 min or continuous
- 5. Nav Data Input/Output**  
**Input** (IEC 1162\*) --: GP, LC, or any talker  
\$ -- BWC, \$ -- DTP, \$ -- GLL, \$ -- GLC, \$ -- HDG, \$ -- MDA, \$ -- RMA, \$ -- RMB, \$ -- RMC, \$ -- VTG, \$ -- DBK, \$ -- DBS, \$ -- DBT, \$ -- GTD, \$ -- HDM,, \$ -- HDT, \$ -- MTW, \$ -- BWR, \$ -- VHW, \$ -- ZDA  
AD-10 format: Heading Data

### Output (IEC 1162\*)

\$RATLL, \$RARSD, \$RATTM (w/ARP)  
\*IEC 1162 is equivalent to NMEA0183 v2.0.

### ENVIRONMENT (IEC945 test method)

Temperature: -15°C to + 55°C (Display unit)

### POWER SUPPLY

12/24-32 VDC  
115/230 VAC with optional rectifier

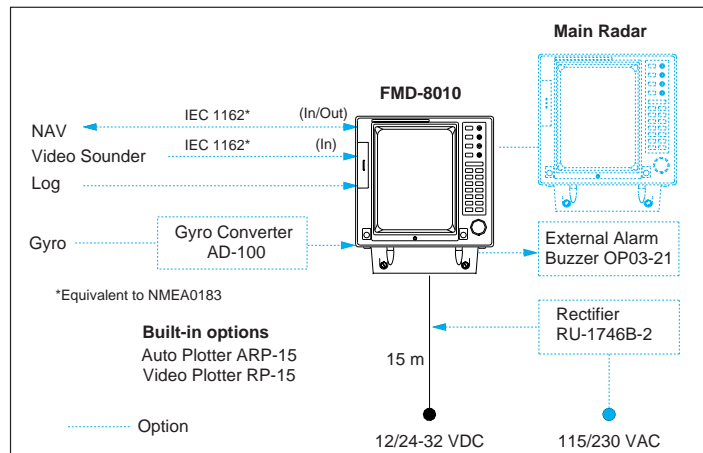
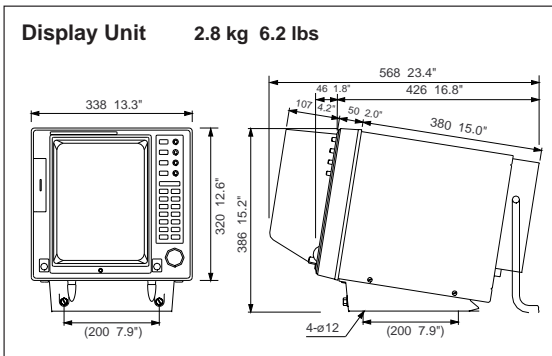
### EQUIPMENT LIST

#### Standard

1. Display Unit RDP-112 with screen filter 1 unit
2. Connection cable 5 m
3. Standard Spare Parts and Installation Materials

#### Optional

1. Rectifier RU-1746B-2 for AC mains
2. Power cable, 15 m
3. Connection cable 10/15 m
4. External alarm buzzer OP03-21
5. Gyro converter AD-100
6. Auto plotter ARP-15
7. Video plotter RP-15
8. Cartography for RP-15



SPECIFICATIONS SUBJECT TO CHANGE WITHOUT NOTICE

**FURUNO U.S.A., INC.**  
Camas, Washington, U.S.A.  
Phone: +1 360-834-9300 Telefax: +1 360-834-9400  
**FURUNO (UK) LIMITED**  
Denmead, Hampshire, U.K.  
Phone: +44 1705-230303 Telefax: +44 1705-230101  
**FURUNO FRANCE S.A.**  
Le Plessis Robinson, France  
Phone: +33 1-46 29 94 29 Telefax: +33 1-40 94 08 45  
**FURUNO ESPANA S.A.**  
Madrid, Spain  
Phone: +34 91-725-90-88 Telefax: +34 91-725-98-97

**FURUNO DANMARK AS**  
Hvidovre, Denmark  
Phone: +45 36 77 45 00 Telefax: +45 36 77 45 01  
**FURUNO NORGE AS**  
Ålesund, Norway  
Phone: +47 70 102950 Telefax: +47 70 127021  
**FURUNO SVERIGE AB**  
Västra Frölunda, Sweden  
Phone: +46 31-709 89 40 Telefax: +46 31-49 70 53  
**FURUNO SUOMI OY**  
Helsinki, Finland  
Phone: +358 9 317277 Telefax: +358 9 3412930

9607XXN Printed in Japan

