

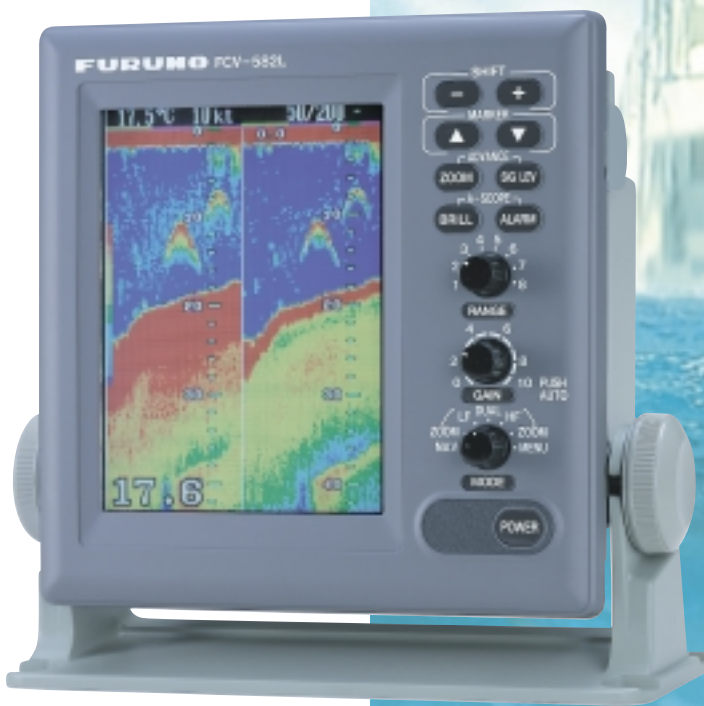


# FURUNO®

600 watt, Dual-frequency, Superb Visibility 6.5-inch Color LCD

## COLOR LCD SOUNDER

Model FCV-582L



- Space-saving and waterproof display designed for open-deck installation
- Dual-frequency, 50 and 200 kHz
- Versatile display modes: Single (LF or HF), Dual (LF and HF), Marker Zoom, Bottom Zoom, Bottom-Lock, A-Scope and Nav Data
- Active-matrix 6.5" color LCD featuring a wide viewing angle
- 8 or 16 colors, or 8 levels monochrome shading
- Automatic setting of optimum range and sensitivity
- Audio-visual alarms for preset water depth, fish echoes or water temperature
- Data interface in NMEA 0183
- Nav Data display in graphics or alphanumeric mode
- Flexibility in application with user-programmable depth ranges, phasing, zooming and signal threshold
- Optional TRIDUCER® speed/temperature sensors available



The future today with FURUNO's electronics technology.

**FURUNO ELECTRIC CO., LTD.**

9-52 Ashihara-cho, Nishinomiya City, Japan Telephone: +81 (798) 65-2111  
Telex: 5644-325, Telefax: +81 (798) 65-4200, 66-4622

Catalogue No. E-376d

TRADE MARK REGISTERED  
MARCA REGISTRADA

The FURUNO FCV-582L is a compact, dual-frequency color video sounder ideally suited for commercial and recreational use. Measuring only 117 mm (4.6") deep, the display features a built-in transceiver (50/200 kHz). The TFT color LCD screen presents a remarkably sharp and brilliant picture even in full daylight. The 6.5" color LCD displays echoes in 8- or 16-level color gradations on a background selected from light blue, dark blue, cyan and black, or in 8-level monochrome shading for optimum viewing day and night. Versatile display modes include Single Frequency (LF or HF), Dual Frequency (LF and HF), Marker Zoom, Bottom

Zoom, Bottom-Lock, A-Scope and Nav Data. In the Marker Zoom display, a depth layer of interest selected by the zoom marker is enlarged on half the screen. The Bottom Zoom mode automatically tracks the seabed and presents enlarged echoes of the bottom fish.

The "AUTO" mode sets optimum sounding range and receiver sensitivity automatically. Thus enabling "hands-off" operation when you are busy maneuvering the boat or fishing.

The thin, stylish display provides flexibility in installation, allowing table-top, overhead and flush mounting. Open-deck mounting is possible thanks to its waterproof design.

## SPECIFICATIONS OF FCV-582L

- Display** 6.5" color LCD, 8 or 16 colors or 8 level monochrome
- Display Modes** Single (LF or HF), Dual (LF and HF), Marker Zoom\*, Bottom Zoom\*, Bottom-Lock\*, A-Scope\* and Nav Data  
*\*Selectable in single frequency mode only.*
- Frequency** Dual frequency 50 and 200 kHz transmitted alternately
- Output Power** 600 W rms
- Beamwidth (520-5PSD)** at -3 dB: 46° (50 kHz) 10° (200 kHz)
- Range Scale**  
2 to 800 m (7-2500 ft, 1-400 fa, 1-500 p/b) selectable in menu  
Default setting:  

M	5	10	20	40	80	150	300	800
FT	15	30	60	120	200	400	1000	2500
FA	3	5	10	20	40	80	150	400
P/B	3	5	10	30	50	100	200	500

 Marker/Bottom Zoom Ranges (Scale factor):  
 2 to 800 m enlarged on half screen  
 Bottom-Lock Ranges: 5 or 10 m (10 or 20 ft, 2 or 5 fa, 2 or 5 p/b)  
 Range Phasing: Max depth 1600 m (5000 ft, 800 fa, 1000 p/b)
- Pulselength and Pulse Repetition Rate (PRR)**  

Depth (m)	PL (ms)	PRR (pulses/minute)
2-9	0.13	1500
10-20	0.25	750
30-360	0.3-3.6	500-42
370-800	3.6	42
- Picture Advance** Freeze, 1/16, 1/8, 1/4, 1/2, 1/1 or 2/1 scan lines/tx

- Data Interface (NMEA 0183)** (- Any talker)  
 Inputs: \$- RMA, \$- RMB, \$- RMC, \$- GLL, \$- VTG, \$- BWR, \$- VHW, \$- MTW, \$- XTE, \$- BWC  
 Outputs: Water depth \$SDDBT (Ver. 1.5) or \$SDDPT (Ver. 2.0)  
 Water temperature\* \$YCMTW  
 Ship speed\* \$VWVHW  
*\*Optional sensor required.*
- Alarms** Audio-visual alarms for bottom, fish or water temperature\* (*\*sensor required*)
- Power Supply** 10.2 - 31.2 VDC, 20 W max 115/230 VAC with optional rectifier PR-62
- Environmental Conditions**  
 Temperature: -15°C to +55°C (IEC 60945)  
 Waterproofing: Exceeding IPX5 (IEC 60529) and CFR46 (USCG)

### EQUIPMENT LIST

#### Standard

- Display unit with protective cover 1 unit
- Installation materials and standard spare parts 1 set

#### Options

- Speed/temperature sensor ST-02MSB (Thru-hull, bronze), ST-02PSB (Thru-hull, plastic)
- Temperature sensor T-02MTB (Transom, bronze), T-02MSB (Thru-hull, bronze), T-03MSB (Thru-hull, bronze)
- NMEA cable (with 6p-6p connectors) MJ-A6SPF0012-050 (5 m), MJ-A6SPF0012-100 (10 m)
- Connector kit for connection of temp or temp/speed sensor
- Matching box MB-1000

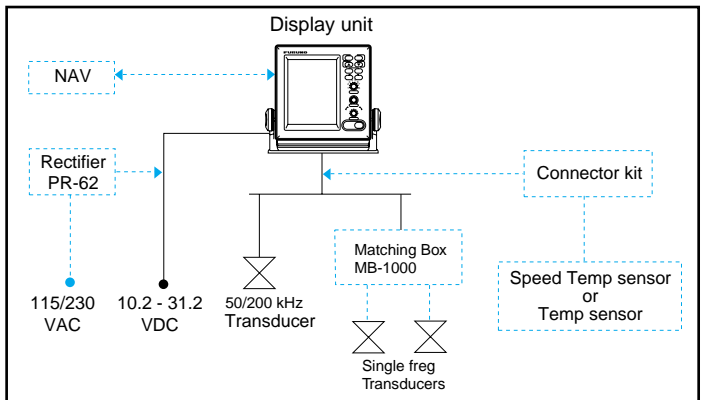
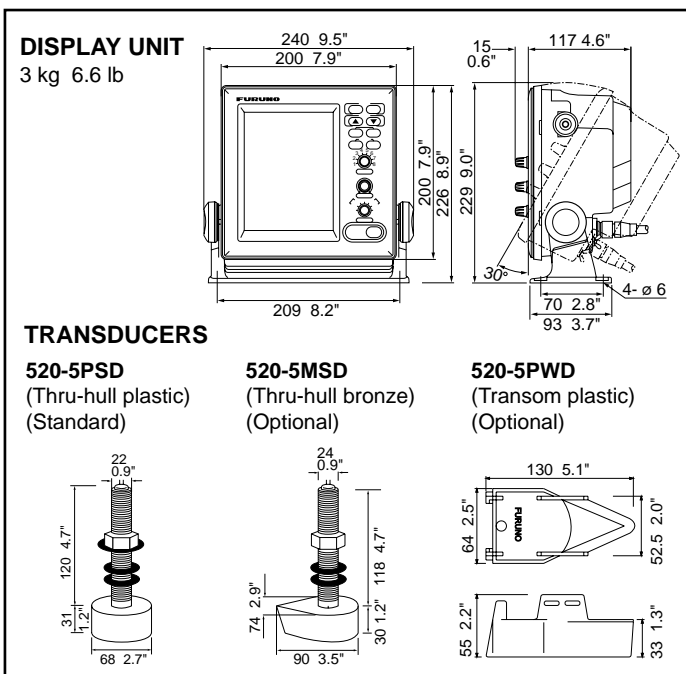
### TRANSDUCER (Specify when ordering)

#### 50/200 kHz transducers

- 520-5PSD (Thru-hull, plastic), 520-5PWD (Transom, plastic)
- 520-5MSD (Transom, bronze)
- TRIDUCER®: 524ST-MSD (Thru-hull, bronze with speed/temp sensor), 520ST-PWD (Thru-hull, plastic with speed/temp sensor)

#### Single frequency transducers (Optional Matching box MB-1000 required)

- 50 kHz: 50B-6, 50B-6G, 50B-62M
- 200 kHz: 200B-5, 200B-5S, 200B-8, 200B-82M



SPECIFICATIONS SUBJECT TO CHANGE WITHOUT NOTICE

0002XXVKS Printed in Japan

**FURUNO U.S.A., INC.**  
 Camas, Washington, U.S.A.  
 Phone: +1 360-834-9300 Telefax: +1 360-834-9400

**FURUNO (UK) LIMITED**  
 Denmead, Hampshire, U.K.  
 Phone: +44 2392-230303 Telefax: +44 2392-230101

**FURUNO FRANCE S.A.**  
 Bordeaux-Mérignac, France  
 Phone: +33 5 56 13 48 00 Telefax: +33 5 56 13 48 01

**FURUNO ESPAÑA S.A.**  
 Madrid, Spain  
 Phone: +34 91-725-90-88 Telefax: +34 91-725-98-97

**FURUNO DANMARK AS**  
 Hvidovre, Denmark  
 Phone: +45 36 77 45 00 Telefax: +45 36 77 45 01

**FURUNO NORGE A/S**  
 Ålesund, Norway  
 Phone: +47 70 102950 Telefax: +47 70 127021

**FURUNO SVERIGE AB**  
 Västra Frölunda, Sweden  
 Phone: +46 31-7098940 Telefax: +46 31-497093

**FURUNO SUOMI OY**  
 Helsinki, Finland  
 Phone: +358 9 341 7570 Telefax: +358 9 3417 5716