

FURUNO®

VHF MARINE TRANSCEIVER

With DSC modem and CH70 watch receiver

Model **FM-3000**

- 25 Watts or 1 Watts RF Output Power
- Built-in DSC meets RTMC SC101 requirement
- Displays L/L and time with a GPS receiver connected
- Optional Controllable Mic allows full control from remote locations such as open deck or flybridge
- All U.S., international channels and NOAA weather channels available
- Waterproof speaker microphone provides clear reception and transmission
- Easy channel selection with large rotary control
- Triple watch on selected channel while monitoring channel 16 and 70
- Quick access to channel 16/9 Key
- Optional voice scrambler provides private communications with specific group.



**Controllable Mic
FM-3010**



The future today with FURUNO's electronics technology

FURUNO ELECTRIC CO., LTD.

9-52 Ashihara-cho, Nishinomiya City, Japan Phone: +81 (798) 65 2111
Fax: +81 (798) 65 4200, 66-4622 URL: www.furuno.co.jp

Catalogue No. V-029a

TRADE MARK REGISTERED
MARCA REGISTRADA

The FURUNO FM-3000 is a high-performance, 25 W or 1 W marine VHF radiotelephone with DSC (Digital Selective Calling) facilities. The compact, stylish and waterproof unit is ideal for the panel or tabletop installation in the cockpit or on the open flybridge.

The FM-3000 employs a large channel selector and knobs for volume and squelch adjustments for ease of operation. The selected channel is displayed with large and bold number on a bright LCD. Connected with an appropriate GPS receiver, own ship's position and time (UTC and local) may be displayed. This feature ensures the transmission of your location in an emergency or when you are attempting to meet a fellow vessel.

The DSC uses a digital signal to send and receive specific information as MMSI (Maritime Mobile Service Identity), working frequencies, etc. so that a call is addressed to a designated user or group that has DSC facilities. In an emergency, you can transmit the distress alert by simply pressing the dedicated distress button. The distress alert is acknowledged by coastal stations or ships equipped with DSC capability.

All functions of the FM-3000 can be controlled from the optional FM-3010 controllable mic. This waterproof mic can be used as a second station to the FM-3000, allowing access while you are on the deck or flybridge.

SPECIFICATIONS OF FM-3000

General

- Frequency Coverage
 - Transmit 156.025 to 157.425 MHz
 - Receive 156.050 to 163.275 MHz
- Mode
 - FM (16K0G3E)
 - DSC (16K0G2B)
- Channel Spacing 25 kHz
- Frequency Stability ± 10 ppm

Transmitter

- Output Power 25 W and 1 W
- Modulation System
 - Variable reactance phase modulation
- Frequency Stability ± 10 ppm
- Max. Frequency Deviation ± 5.0 kHz
- Spurious Emissions -70 dBc

Receiver

- Receiver System
 - Double conversion superheterodyne
- Sensitivity (12 dB SINAD) 0.22 μ V
- Squelch Sensitivity 0.22 μ V
- Intermodulation Rejection Ratio More than 75 dB
- Spurious Response Rejection Ratio 75 dB
- Adjacent Channel Selectivity 75 dB
- Audio Output Power 4.5 W (at 10% distortion)

DSC

Interface (NMEA0183 ver. 2.0/3.01)

- Input RMC, GGA, GNS, GLL,
 - Output DSC*, DSE*
- *NMEA0183 ver. 3.01 only

ENVIRONMENT (IEC 60945 test method)

- Temperature -15°C to +55°C
- Waterproofing IPX5 (IEC 60529), CFR-46 (USCG standard)

POWER SUPPLY

- 12 VDC, 5.5 A max

EQUIPMENT LIST

Standard

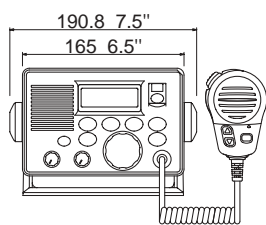
- Transceiver Unit with Speaker Microphone FM-3000 1 unit
- Installation Materials and Spare Parts

Option

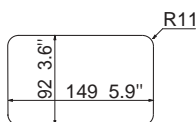
- Controllable Mic FM-3010
- Extension Cable FM-3020
- Scrambler FM-3030
- Flush Mount Kit FM-3040

TRANSCIVER UNIT

FM-3000 2.5 kg 5.5 lb

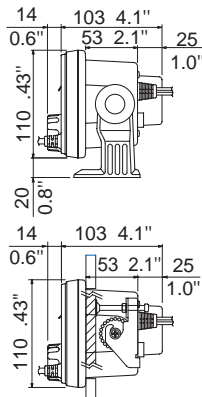
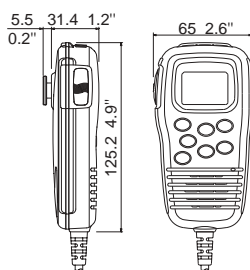


Cutout for Flush Mount

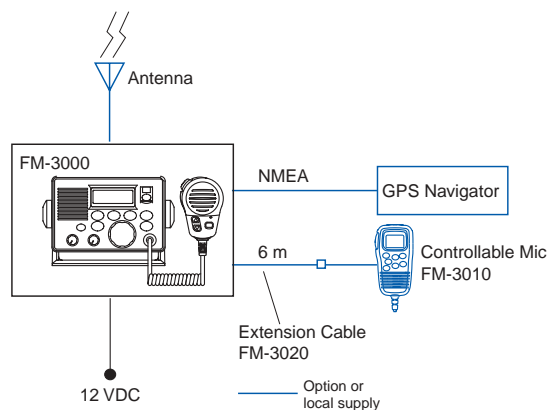


CONTROLLABLE MIC

FM-3010 0.8 kg 1.8 lb.



INTERCONNECTION DIAGRAM



NOTE: Antenna unit is not included in the standard equipment. Please arrange locally.

SPECIFICATIONS SUBJECT TO CHANGE WITHOUT NOTICE

FURUNO U.S.A., INC.
 Camas, Washington, U.S.A.
 Phone: +1 360-834-9300 Telefax: +1 360-834-9400

FURUNO (UK) LIMITED
 Denmead, Hampshire, U.K.
 Phone: +44 2392-230303 Telefax: +44 2392-230101

FURUNO FRANCE S.A.
 Bordeaux-Mérignac, France
 Phone: +33 5 56 13 48 00 Telefax: +33 5 56 13 48 01

FURUNO ESPANA S.A.
 Madrid, Spain
 Phone: +34 91-725-90-88 Telefax: +34 91-725-98-97

FURUNO DANMARK AS
 Hvidovre, Denmark
 Phone: +45 36 77 45 00 Telefax: +45 36 77 45 01

FURUNO NORGE A/S
 Alesund, Norway
 Phone: +47 70 102950 Telefax: +47 70 127021

FURUNO SVERIGE AB
 Västra Frölunda, Sweden
 Phone: +46 31-7098940 Telefax: +46 31-497093

FURUNO FINLAND OY
 Espoo, Finland
 Phone: +358 9 4355 670 Telefax: +358 9 4355 6710

03115SS Printed in Japan