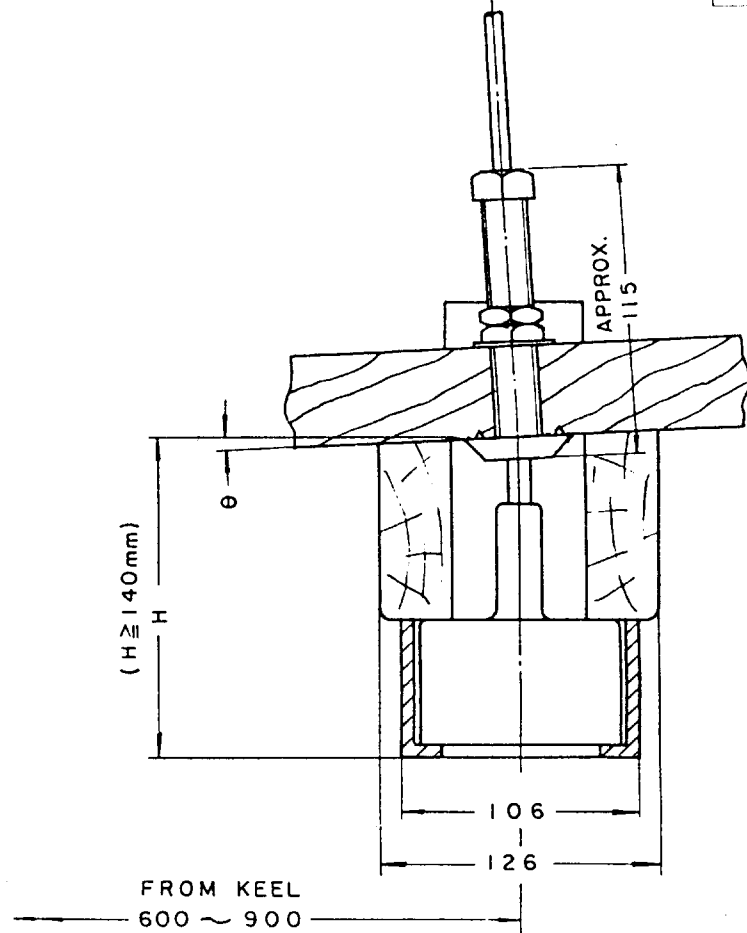
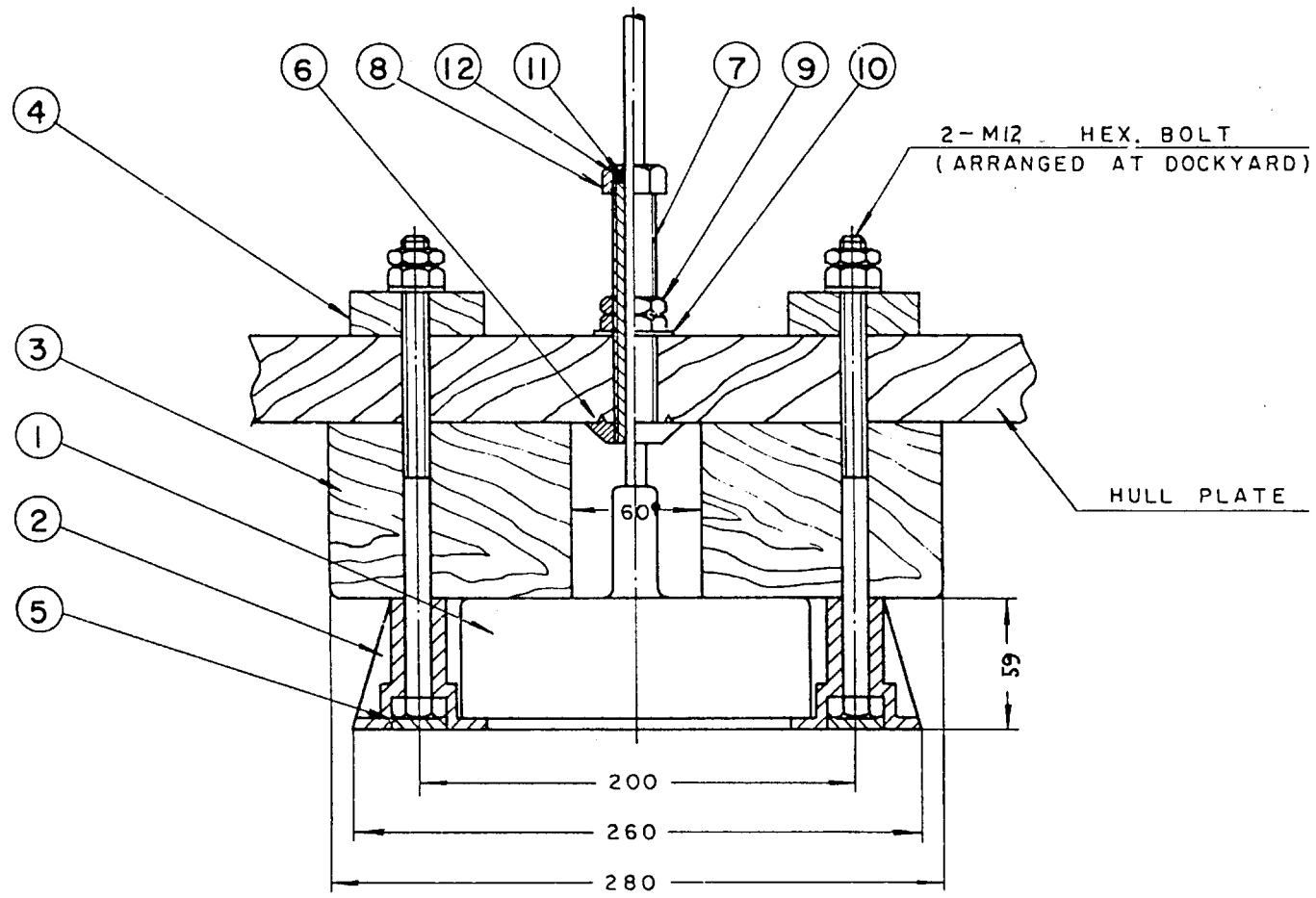
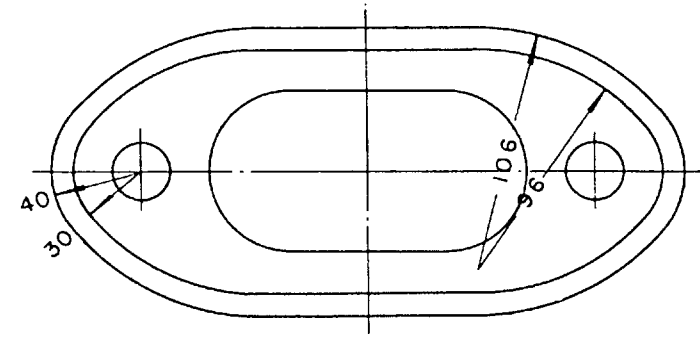


|                                   |                               |
|-----------------------------------|-------------------------------|
| 設備法分類番号<br>INSTALLATION<br>METHOD | T-64                          |
| 周波数<br>FREQUENCY                  | 50, 60,<br>50/200, 60/200 KHz |

船首方向  
FORWARD  
DIRECTION



- NOTE 1. "θ" IS THE RISING ANGLE OF THE SHIP'S HULL.
2. THE LENGTH "H" TO BE ADJUSTED IN ACCORDANCE WITH THE RISING ANGLE OF THE HULL PLATE



| NO. | NAME                 | MATERIAL        | Q'TY | NOTE                                 |
|-----|----------------------|-----------------|------|--------------------------------------|
| 12  | PACKING              | RUBBER          | 1    |                                      |
| 11  | WASHER               | BsP             | 1    |                                      |
| 10  | WASHER FOR HULL      | BsP             | 1    |                                      |
| 9   | FASTENING NUT        | BsBM2           | 2    |                                      |
| 8   | CAP NUT              | BsBM2           | 1    |                                      |
| 7   | STUFFING TUBE No. 9  | BsT             | 1    |                                      |
| 6   | STUFFING TUBE (HEAD) | BsC             | 1    |                                      |
| 5   | PLUG FOR BOLT        | POLYETHYLENE    | 2    |                                      |
| 4   | WOODEN BLOCK         | PINE OR CYPRESS | 2    | TO BE ARRANGED AT DOCKYARD           |
| 3   | FAIRING BLOCK        |                 | 1    |                                      |
| 2   | CASE OF TRANSDUCER   | RESIN           | 1    |                                      |
| 1   | TRANSDUCER           |                 | 1    | 50B-9(B), 60B-52, 50/200-1, 60/200-1 |

|                |                                   |                               |                                                     |                                         |
|----------------|-----------------------------------|-------------------------------|-----------------------------------------------------|-----------------------------------------|
| 承認<br>APPROVED | MAR. 29. 84<br><i>[Signature]</i> | 三角法<br>THIRD ANGLE PROJECTION | 名称<br>TITLE                                         | 50B-9(B), 60B-52,<br>50/200-1, 60/200-1 |
| 検図<br>CHECKED  | MAR. 29. 84<br><i>[Signature]</i> | 尺度<br>SCALE                   | TRANSDUCER INSTALLATION<br>FOR EXTERIOR WOODEN HULL |                                         |
| 製図<br>DRAWN    | MAR. 26. 84<br><i>[Signature]</i> | 重量<br>WEIGHT                  | kg                                                  | 図番<br>DWG. NO. E2001-069-B              |